



**ENCROACHMENT PERMIT**  
**Ground Water Monitoring Well**  
**City of Riverside - Public Works Dept.**  
**951-826-5341**

Issuance of this permit shall not be construed as a waiver of any other applicable permit or requirement, and is only revocable permission to use the land for the purpose described.

**Owner:** JONES W T  
**Location:** 6608 INDIANA AV RIVE  
**A.P.N.:** 229-140-017

**Encroachment:** INSTALL TWO GROUND WATER MONITORING WELLS IN ALRINGTON AVENUE PER ATTACHED EXHIBIT

The above-described encroachment being shown on Exhibit A attached hereto.

Upon issuance of this permit, I agree to comply with the attached terms and conditions.

Date: 11/6/09

By: *Shirley Griffin*

Date: \_\_\_\_\_

By: \_\_\_\_\_

**Applicant**

MOBILE OIL CORP  
 3700 WEST 190TH STREET TPT9-1015  
 TORRANCE C A  
 90504  
 310-212-1870

**Contractor/Developer**

KLEINFELDER INC (TEMECULA)  
 43174 BUSINESS PARK DR #103  
 TEMECULA, CA  
 92590  
 951 506-1488

ENCROACHMENT PERMIT APPROVAL

This permit has been reviewed and approved by the Departments listed below provided the attached terms and conditions are adhered to:

- P/W ENGINEERING
- P/W TRAFFIC
- P/U WATER
- P/U ELECTRIC

FINAL APPROVAL

Date: 10/26/09

*Paul Boyd*  
 City Engineer

THIS PERMIT IS NOT VALID UNTIL ISSUED AND POSTED IN CITY RECORDS

Issued by *[Signature]*

Dated by 11-6-09



# City of Riverside

The following are requirements that need to be met for your permit #PW09-0480 .

- 1 Permittee acknowledges that the area of encroachment is owned or controlled by the City of Riverside.
- 2: Permittee acknowledges that the described property could be needed for a proposed or planned public improvement and the City may revoke this permit Upon written notice of revocation, the permittee shall, within the time prescribed by the City, remove all improvements placed, constructed or maintained. If the permittee fails to abide by the removal order of the City, the City shall have the right to remove and destroy the improvements without reimbursement to the permittee The cost of such removal shall be paid by the permittee to the City and shall constitute a debt owed to the City.
- 3 Permittee waives the right of claim, loss, damage or action against the City resulting from revocation, termination, removal of improvements or any action of the City, its officers, agents or employees taken in accordance with the terms herein.
- 4: If the Public Works Director of the City of Riverside finds that the permittee is in default of the terms of this permit, that shall be cause for revocation.
- 5 Permittee herewith agrees to hold the City of Riverside harmless from and against all claims demands, costs, losses, damages, injuries, actions for damages and/or injuries, and liability in connection with the construction, encroachment, and/or maintenance to be done by permittee within the described property.
- 6: Prior to any construction taking place on City controlled property, permittee shall obtain a Construction Permit or Street Opening Permit from the City Public Works Department.
- 7: The permittee agrees to insure that construction of their improvements will not interfere in any way with any existing City or utility facilities.
- 8: Permittee acknowledges that existing city or utility facilities will require future maintenance, reconstruction, and revisions and that facilities may be added, any of which may result in removal or alteration of the permittee's improvements without reimbursement to the permittee
- 9 Prior to construction, permittee shall contact Underground Service Alert to field locate existing utility lines Any conflicts discovered will void the permit until acceptable revisions are made. It shall be Permittee's responsibility to determine the location and required clearances from all public and private utility, sewer and drainage facilities prior to drilling and shall only drill in compliance with such clearance requirements
- 10: Permittee agrees to remove, close and abandon the well or wells in a timely manner, in accordance with the procedures specified under Condition 10m below This permit may then be revised to apply to a new approved site
- 10 Permittee shall obtain a well permit from the County of Riverside, Health Services Agency, Department of Environmental Health A copy of the County permit shall be incorporated into this permit County approval is required prior to issuance of this encroachment permit
- 10a Permittee shall use and occupy the described encroachment only in the manner and for the purposes as follows. To drill, maintain, monitor, remove and close test well(s) for the purpose of

E09-0480

## Ground Water Monitoring

10b. Permittee agrees to make the results of sampling available to the City.

10c. Permittee shall have the right of reasonable access across the City's adjacent right-of-way to drill, monitor, maintain, remove and close the well(s).

10d. Permittee shall inspect each well site at least once each month to insure that the lock is locked and not broken

## Well Construction

10e. The test well(s) shall be constructed as shown on the attached exhibits

10f. Permittee's contractor shall obtain a Street Opening Permit from the City Public Works Department prior to doing any work in the public right-of-way

10g. Permittee's contractor shall review required traffic control and safety measures for each site with the City's Traffic Engineering Division prior to doing any work in the public right-of-way. Permittee's contractor shall be responsible for implementing the required traffic control and safety measures as approved by the City Traffic Engineer.

10h. It shall be Permittee's responsibility to determine the location and required clearances from all public and private utility, sewer and drainage facilities prior to drilling and shall only drill in compliance with such clearance requirements.

10i. Permittee shall notify the City of Riverside, California, Public Works Department of the exact drilling date. In residential neighborhoods drilling will not commence prior to 8:30 am and will continue no later than one hour prior to sunset. In all other areas drilling will not commence prior to : m and continue no later than : m

10j. During the period of well installation, Permittee's contractor shall keep the site supervised continuously from the beginning of drilling operations until installation of the locked traffic grade "Christy Box" cap marked "Monitor Well". Under no circumstances is the well or borehole to be left unattended when it is unlocked or incapable of being locked. Supervision after dusk includes appropriated lights to make the well visible to the attendants who shall remain awake and observant of the well or borehole.

10k. Upon completion of installation, Permittee shall provide to the City an as-built plan showing the exact location of the well(s)

## Well Closure

10l. In the event the City needs the site prior to completion of monitoring, upon receipt of written notice to this effect from the City, the Permittee agrees to remove, close and abandon the well or wells in a timely manner, in accordance with the procedures specified under Condition 10m below. This permit may then be revised to apply to a new approved site.

10m. When the well(s) are no longer needed, the Permittee shall provide written notice to this effect to the City, and the well(s) shall be removed, closed and abandoned to the specifications of the Riverside Public Works Department and the State of California regulations regarding the closure of wells. Upon closure, Permittee shall provide to the City an as-built plan of the closed well(s).

10n. To insure that the removal and closure of the well(s) takes place in a timely manner, the Permittee shall post a cash deposit of \$1,000.00 per well. This cash deposit may be used by the City to remove and close the well(s) when not done by permittee. Any cost of closure in excess of the cash deposit shall be paid by Permittee to the City of Riverside and shall constitute a debt owed to the City of Riverside.

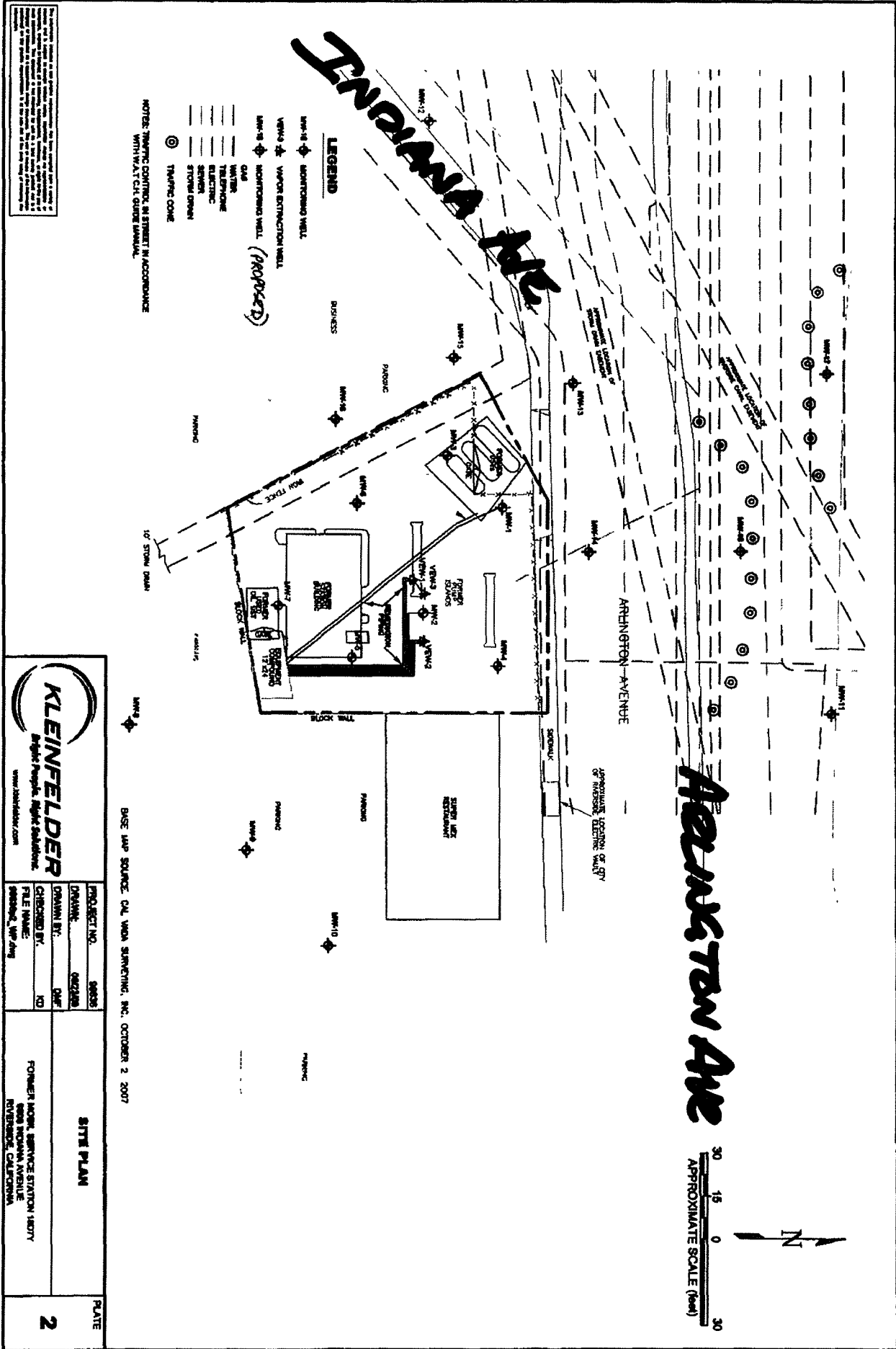
ED9-0480

Well Monitoring

10o Prior to periodic monitoring and ground water sampling Permittee must contact TRAFFIC ENGINEERING for review and approval of traffic control or lane closures Traffic Engineering (951) 826-5366.

10p Permittee must notify PUBLIC WORKS INSPECTION 48 hours in advance of the anticipated date and time of all ground water sampling requiring traffic control or lane closures Refer to Street Opening Permit No Public Works Inspection (951) 826-5341.

E09-0480



NOTES: TRACING CONDUIT IN STREET IN ACCORDANCE WITH WAT CH GUIDE MANUAL.

**LEGEND**

- MW-14 MONITORING WELL
- VW-14 VAPOR EXTRACTION WELL
- MW-13 MONITORING WELL (PROPOSED)
- WATER
- ELECTRIC
- SEWER
- STORM DRAIN
- TRACING CONDUIT

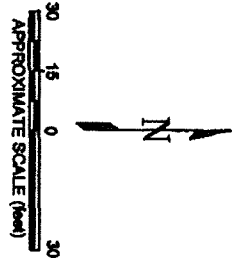
**KLEINFELDER**  
 Bright People. Right Solutions.  
 www.kleinfelder.com

PROJECT NO.	996361
DRAWN BY	DWT
CHECKED BY	ND
FILE NAME	996361_WP.dwg

**SITE PLAN**

FORMER MOBIL SERVICE STATION 1807Y  
 8000 INDIANA AVENUE  
 RIVERSIDE, CALIFORNIA

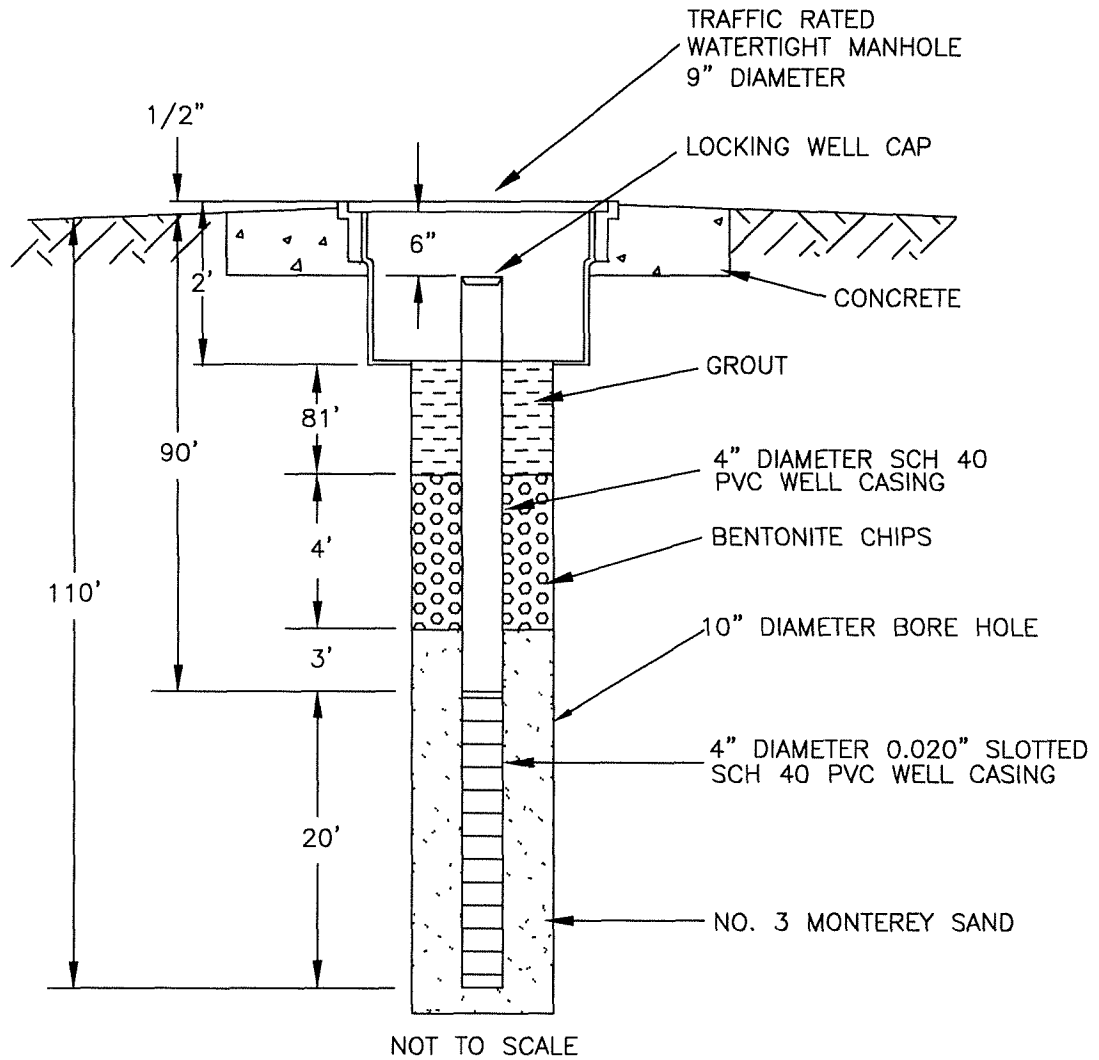
PLATE  
**2**



E09-0480

PLOTTED 06 Jul 2009, 2:53pm, dfahmney

CAD FILE L:\2009\CADD\199836\ LAYOUT Layout1



ATTACHED IMAGES  
ATTACHED XREFS  
DIAMOND BAR, CA



PROJECT NO	99836
DRAWN	07/01/09
DRAWN BY	DMF
CHECKED BY	
FILE NAME	99836p3-WCD.dwg

**PROPOSED WELL  
CONSTRUCTION DIAGRAM  
MW-17 AND MW-18**

FORMER MOBIL SERVICE STATION 18D7Y  
6608 INDIANA AVENUE  
RIVERSIDE, CALIFORNIA

PLATE

**3**

E09-0480

ExxonMobil Environmental Services Company  
2220 Otay Lakes Road, #502, PMB #99  
C hula Vista, California 91915-1009  
Telephone 619 980 9344  
E-mail jennifer.lawrence@exxonmobil.com



November 2, 2009

City of Riverside  
Public Works Department  
Engineering Division  
3900 Main Street  
Riverside, CA 92522

**RE: Letter of Authorization**  
Former Mobil Service Station 18D7Y  
6608 Indiana Avenue  
Riverside, California

To Whom It May Concern.

Kleinfelder West, Inc. (Kleinfelder), on behalf of the ExxonMobil Oil Corporation (ExxonMobil)/property owner, is authorized to submit the applicable refundable deposit fee required for the new well installations of monitoring wells MW-17 and MW-18 located on Arlington Avenue. The City of Riverside will refund ExxonMobil/property owner the deposit fee at the time the City deems appropriate.

Kleinfelder, on the behalf of ExxonMobil, is authorized to sign and obtain all encroachment/street opening permits required for traffic lane closures in order to install new monitoring wells and/or perform groundwater sampling for the above mentioned location.

If you have any questions or comments on the content of this authorization, please do not hesitate to contact Mr Gregory Heustis of Kleinfelder at (951) 506-1488 or the undersigned at (619) 980-9344

Sincerely,

A handwritten signature in cursive script that reads "Jenna Lawrence".

Jenna Lawrence, P.G  
Western Area Project Manager - U S. Retail Projects

cc Mr. Gregory Heustis, Kleinfelder

E09-0480