



**ENCROACHMENT PERMIT**  
**Storm Drain Connection**  
 City of Riverside - Public Works Dept.  
 951-826-5341

Issuance of this permit shall not be construed as a waiver of any other applicable permit or requirement, and is only revocable permission to use the land for the purpose described.

**Owner:** COUNTY OF RIVERSIDE  
**Location:** 4473 OLIVEWOOD AV RIVE  
**A.P.N.:** 219-330-035

**Encroachment:** CONNECT A 12" HDPE DRAIN LINE TO AN EXISTING CATCH BASIN.

The above-described encroachment being shown on Exhibit A attached hereto.

Upon issuance of this permit, I agree to comply with the attached terms and conditions.

Date: 10/12/17

By: [Signature]  
 SUPERVISOR FACILITIES PROJECT MGR, COUNTY OF RIV.  
 EDS - PMC

Date: \_\_\_\_\_

By: \_\_\_\_\_

**Applicant**  
 COUNTY OF RIVERSIDE  
 3403 TENTH STREET, SUITE 500  
 RIVERSIDE, CA. 92501  
 951-955-4844

**Contractor/Developer**

ENCROACHMENT PERMIT APPROVAL

This permit has been reviewed and approved by the Departments listed below provided the attached terms and conditions are adhered to:

P/W ENGINEERING

FINAL APPROVAL

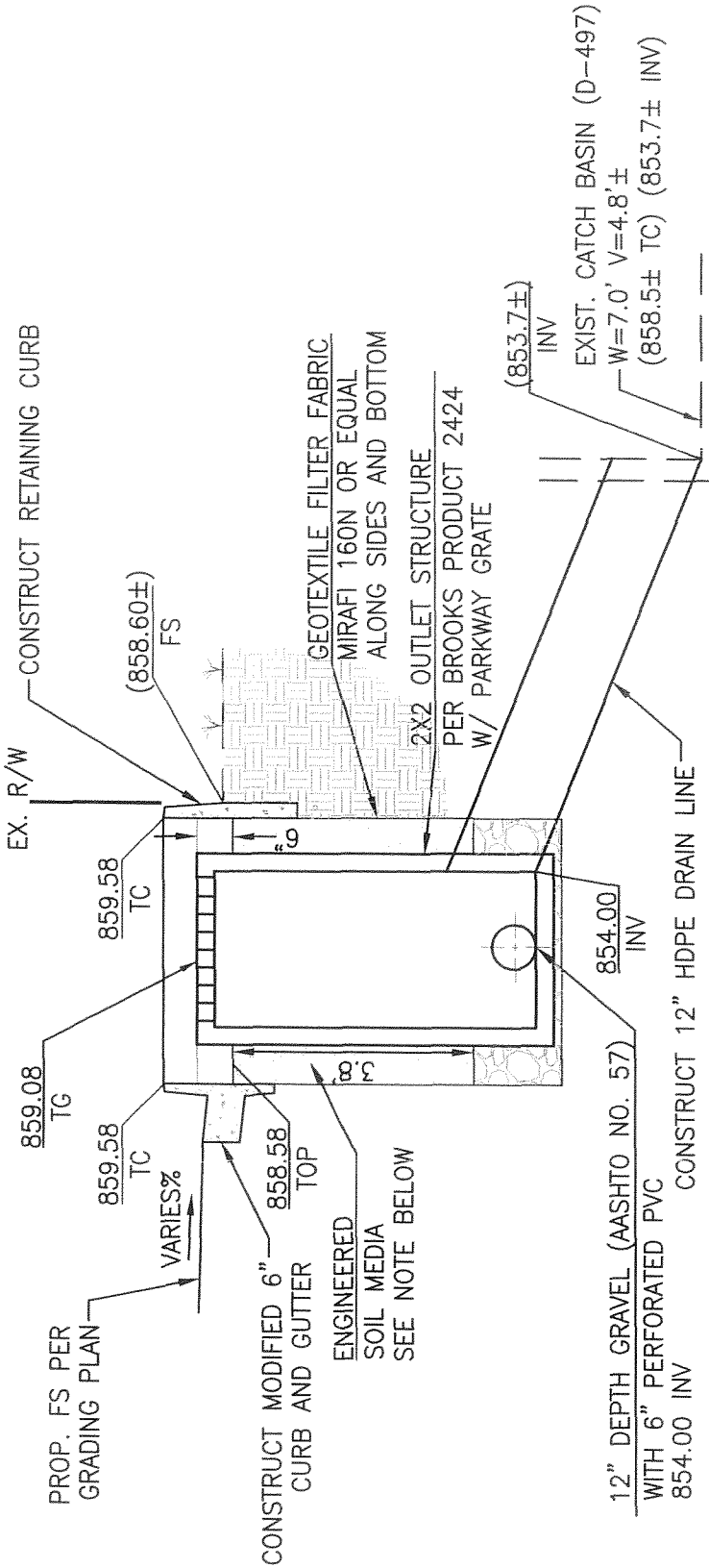
Date: 4/19/17

[Signature]  
 City Engineer

THIS PERMIT IS NOT VALID UNTIL ISSUED AND POSTED IN CITY RECORDS

Issued by: [Signature]

Dated: 10/24/17



**SECTION A-A** NTS

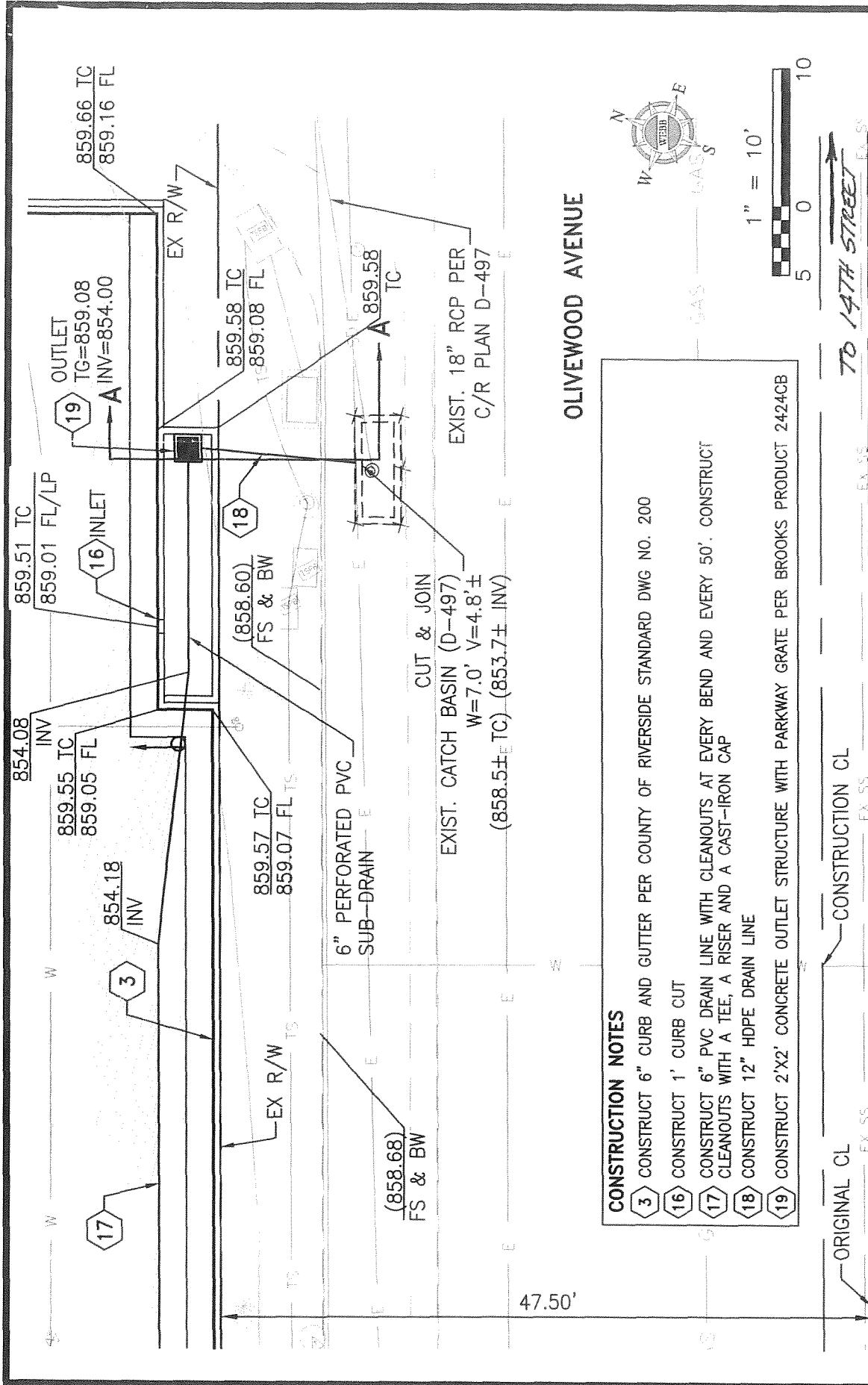
3.5'X19' BIO-RETENTION FACILITY 1

LOCATION: OLIVEWOOD AVE / KANE ST	DESIGNED: GLC
ADDRESS: RCIC 3540 14TH ST, RIVERSIDE	CHECKED: LM
	DATE: 4/11/17
	SCALE: 1"=10'

**ENCROACHMENT PERMIT - CONNECTION TO CATCH BASIN**

A L B E R T A.  
**WEBB**  
 A S S O C I A T E S  
 ENGINEERING CONSULTANTS  
 3788 McCRAY STREET  
 RIVERSIDE CA. 92506  
 PH. (951) 686-1070  
 FAX (951) 788-1256

*E17-0291*



- CONSTRUCTION NOTES**
- 3 CONSTRUCT 6" CURB AND GUTTER PER COUNTY OF RIVERSIDE STANDARD DWG NO. 200
  - 16 CONSTRUCT 1' CURB CUT
  - 17 CONSTRUCT 6" PVC DRAIN LINE WITH CLEANOUTS AT EVERY BEND AND EVERY 50'. CONSTRUCT CLEANOUTS WITH A TEE, A RISER AND A CAST-IRON CAP
  - 18 CONSTRUCT 12" HDPE DRAIN LINE
  - 19 CONSTRUCT 2'X2' CONCRETE OUTLET STRUCTURE WITH PARKWAY GRATE PER BROOKS PRODUCT 2424CB

DESIGNED: GLC  
 CHECKED: LM  
 DATE: 4/11/17  
 SCALE: 1"=10'

**ENCROACHMENT PERMIT - CONNECTION TO CATCH BASIN**

ALBERT A. WEBB  
 ENGINEERING CONSULTANTS  
 3788 McCRAY STREET  
 RIVERSIDE CA. 92506  
 PH. (951) 686-1070  
 FAX (951) 788-1256

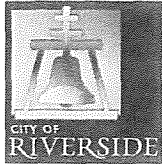
LOCATION: OLIVEHOOD AVE / KANE ST  
 ADDRESS: RCIC  
 3540 14TH ST, RIVERSIDE

ORIGINAL CL  
 EX 55  
 CONSTRUCTION CL  
 EX 55  
 TO 14TH STREET

Encroachment Permit and to comply with all codes, laws, ordinances and regulations.

- 11 All on-site catch basins and inlets must have a properly installed and maintained drainage water filtration system to Public Works Specifications.
- 12 Permittee acknowledges that there are existing public works and public utility facilities that may interfere with the proposed improvement. All existing utilities, sewers and storm drains must be field located (pot-holed) prior to installation of the proposed facilities.
- 13 Permittee acknowledges that all maintenance of the drain line between its connection with the line in the street and the right of way line is the responsibility of the permittee.

E17-0291



# City of Riverside

The following are requirements that need to be met for your permit #PW17-0291.

- 1 Permittee acknowledges that the area of encroachment is owned or controlled by the City of Riverside.
- 2 Permittee acknowledges that the described property could be needed for a proposed or planned public improvement and the City may revoke this permit. Upon written notice of revocation, the permittee shall, within the time prescribed by the City, remove all improvements placed, constructed or maintained. If the permittee fails to abide by the removal order of the City, the City shall have the right to remove and destroy the improvements without reimbursement to the permittee. The cost of such removal shall be paid by the permittee to the City and shall constitute a debt owed to the City.
- 3 Permittee waives the right of claim, loss, damage or action against the City resulting from revocation, termination, removal of improvements or any action of the City, its officers, agents or employees taken in accordance with the terms herein.
- 4 If the Public Works Director of the City of Riverside finds that the permittee is in default of the terms of this permit, that shall be cause for revocation.
- 5 Permittee herewith agrees to hold the City of Riverside harmless from and against all claims demands, costs, losses, damages, injuries, actions for damages and/or injuries, and liability in connection with the construction, encroachment, and/or maintenance to be done by permittee within the described property.
- 6 Prior to any construction taking place on City controlled property, permittee shall obtain a Construction Permit or Street Opening Permit from the City Public Works Department.
- 7 The permittee agrees to insure that construction of their improvements will not interfere in any way with any existing City or utility facilities.
- 8 Permittee acknowledges that existing city or utility facilities will require future maintenance, reconstruction, and revisions and that facilities may be added, any of which may result in removal or alteration of the permittee's improvements without reimbursement to the permittee.
- 9 Prior to construction, permittee shall contact Underground Service Alert to field locate existing utility lines. Any conflicts discovered will void the permit until acceptable revisions are made. It shall be Permittee's responsibility to determine the location and required clearances from all public and private utility, sewer and drainage facilities prior to drilling and shall only drill in compliance with such clearance requirements.
- 10 Permittee is required to obtain all necessary permits and approvals from all City Departments and/or Agencies, City or otherwise, prior to constructing the improvements specified in this

*E17-0291*