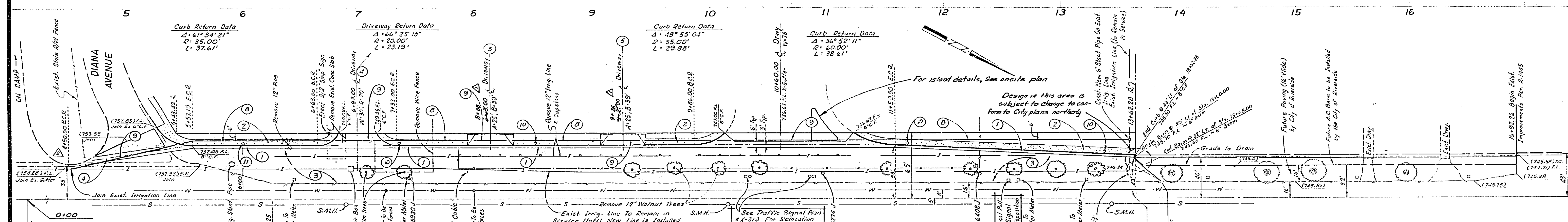
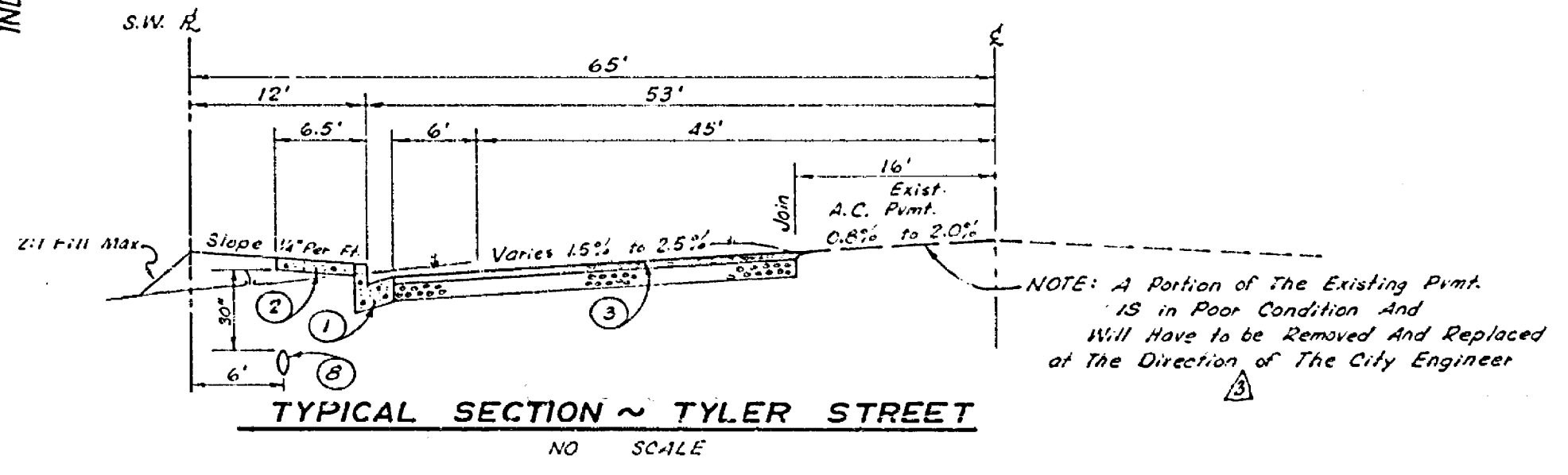


PROFILE SCALE
HORIZ: 1" = 40', VERT: 1" = 4'



- GENERAL NOTES**
- All Work As Shown On This Plan Shall Be Done In Accordance With Standard Specifications For Public Works Const., 1970 Edition And City of Riverside Standard Drawings.
 - It Shall Be The Responsibility Of The Contractor To Clear The Right-of-way In Accordance With The Provision Of Law As It Affects Each Utility Including Irrigation Lines And Appurtenances And At No Cost To The City.
 - Contact Charles Ware, Water Commercial Engineer, At 787-7441 At Least 2 Weeks Prior To The Start Of Construction To Arrange For The Relocation Of Any City Facilities - Water, Irrigation Or Electric.
 - Work Shown To Be Done "By City" Will Be Done By Water Div. Forces At Developers Expense.
 - Trim Edge of Existing Paving, Where It Is To Be Joined By New Paving, To A Clean, Straight Line. Construct "Match-up" Paving as Shown And Overlay Paving As Directed In The Field To Produce A Smooth Crown Section.

- CONSTRUCTION NOTES**
- CONST. CONC. CURB (8") & GUTTER (24") PER STD. PLAN #200
 - CONST. CURB SIDEWALK PER STD. PLAN #325
 - CONST. 2 1/2" A.C. OVER 4" CLASS II AGG. BASE
 - CONST. 6" WIDE CROSS GUTTER & APRONS PER STD. PLAN #220
 - CONST. CONC. DRIVEWAY APPROACH PER STD. PLAN #302
 - INSTALL 2" x 4" REDWOOD HEADER
 - CONST. A.C. BERM (6" HIGH) PER STD. PLAN #200
 - CONST. 8" CONC. IRRIGATION PIPE
 - CONST. 8" A.C. CLASS 2400 IRRIGATION LINE-UNDER DRIVEWAYS
 - ERECT R 26(S) REFLECTORIZED ON STREET LIGHT STANDARD
 - ERECT R 26(S) REFLECTORIZED ON 10' GALV. STEEL POST



T.I. = 7

IRRIGATION DIVISION APPROVED BY: _____ DATE: _____		ANACAL ENGINEERING CO. P.O. BOX 366 B (222 E. LINCOLN) ANAHEIM, CALIFORNIA 92803 TEL. (714) 774-1763 F.B. 3717, Pp. 27 PREPARED UNDER THE SUPERVISION OF: <i>Carl Szaplinski</i> CARL SZAPLINSKI, C.E. 8427		CITY OF RIVERSIDE, CALIFORNIA DEPARTMENT OF PUBLIC WORKS APPROVED BY: _____ OFFICE ENGINEER PARK DEPARTMENT TRAFFIC DIVISION ASSISTANT CITY ENG.		ZONING CASE R-25-701 STREET PLAN AND PROFILE TYLER STREET SWLY SIDE FROM DIANA AVENUE TO 801 FEET NWLY OF DIANA AVENUE PROJECT NO. R-1533 SHEET 1 OF 1 FILE NO. _____	
DESIGNED BY T.W.C. DRAWN BY T.W.C. CHECKED BY W.L.M.		REVISIONS DATE: 6-4-71		APPROVED BY: _____ DATE: _____		HORIZ. SCALE: 1" = 40' VERT. SCALE: 1" = 4'	