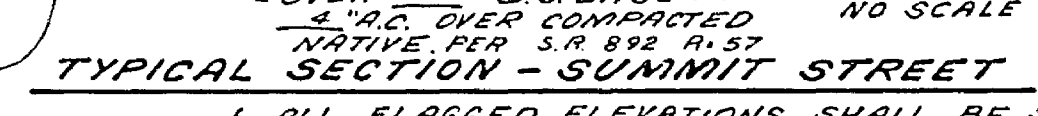
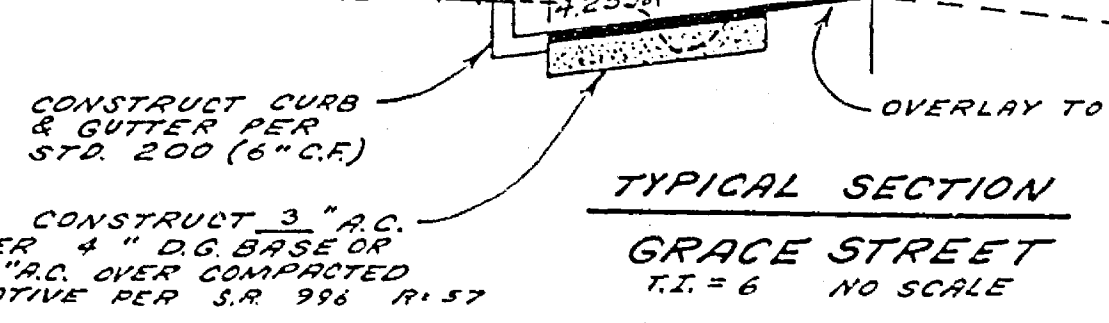
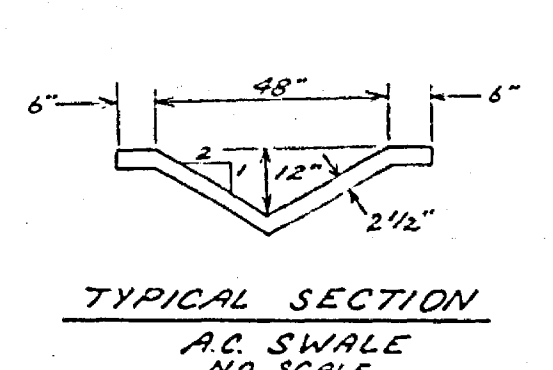


BENCH MARK
PA NAIL IN SLY. HEADWALL OF DRAIN FLUME ON WLY. SIDE JEFFERSON ST. SLY. OF GAGE CANAL STAMPED F-6-D ELEVATION 1007.999

- GENERAL NOTES**
- IT SHALL BE THE RESPONSIBILITY OF THE CONTRACTOR TO CLEAR THE RIGHT OF WAY IN ACCORDANCE WITH THE PROVISIONS OF LAW AS IT AFFECTS EACH UTILITY INCLUDING IRRIGATION LINES AND APPURTENANCES AND AT NO COST TO THE CITY.
 - CONSTRUCTION SHALL BE IN ACCORDANCE WITH THE CITY OF RIVERSIDE, DEPARTMENT OF PUBLIC WORKS, STANDARD DRAWINGS, AND THE STANDARD SPECIFICATIONS FOR PUBLIC WORKS CONSTRUCTION, 1976 ED.
 - TRIM EDGE OF EXISTING PAVEMENT WHERE NEW PAVEMENT JOINS TO A SMOOTH STRAIGHT LINE. CONSTRUCT MATCH-UP PAVING AS SHOWN ON THE PLAN AND OVERLAY PAVING AS DIRECTED IN THE FIELD TO PRODUCE A SMOOTH SECTION. ENGINEER ESTIMATES OVERLAY TO BE 13.2 TONS.
 - CONSTRUCT DRIVEWAY APPROACH PER STD. DWG. 302 EXACT SIZE AND LOCATION TO BE DETERMINED AT THE TIME OF CONSTRUCTION AS APPROVED BY THE TRAFFIC ENGINEER.
 - CURB AND GUTTER SHALL BE STAKED WITH 3' OFFSETS AT 25' INTERVALS.



APPROVED BY: _____ DATE: _____ GAGE CANAL CO. APPROVED BY: _____ DATE: _____ Chief Utility's Engineer, Elect.	LYNN A. TERRY & ASSOCIATES CIVIL ENGINEERING CORONA-NORCO, CALIFORNIA APPROVED BY: _____ DATE: 4/22/78 R.C.E. NO. 18640 (914) 735-6650	CITY OF RIVERSIDE, CALIFORNIA DEPARTMENT OF PUBLIC WORKS APPROVED BY: _____ DATE: 4/29/78	PLAN & PROFILE OF STREET IMPROVEMENTS GRACE ST & SUMMIT ST. NORTHEASTERLY CORNER PARCEL MAP NO. 10425 BLDG. PER. 1939 GRACE ST. HORIZ. SCALE: 1" = 40' VERT. SCALE: 1" = 4' R-2140 SHEET 1 OF 1 FILE NO. _____
--	--	--	--