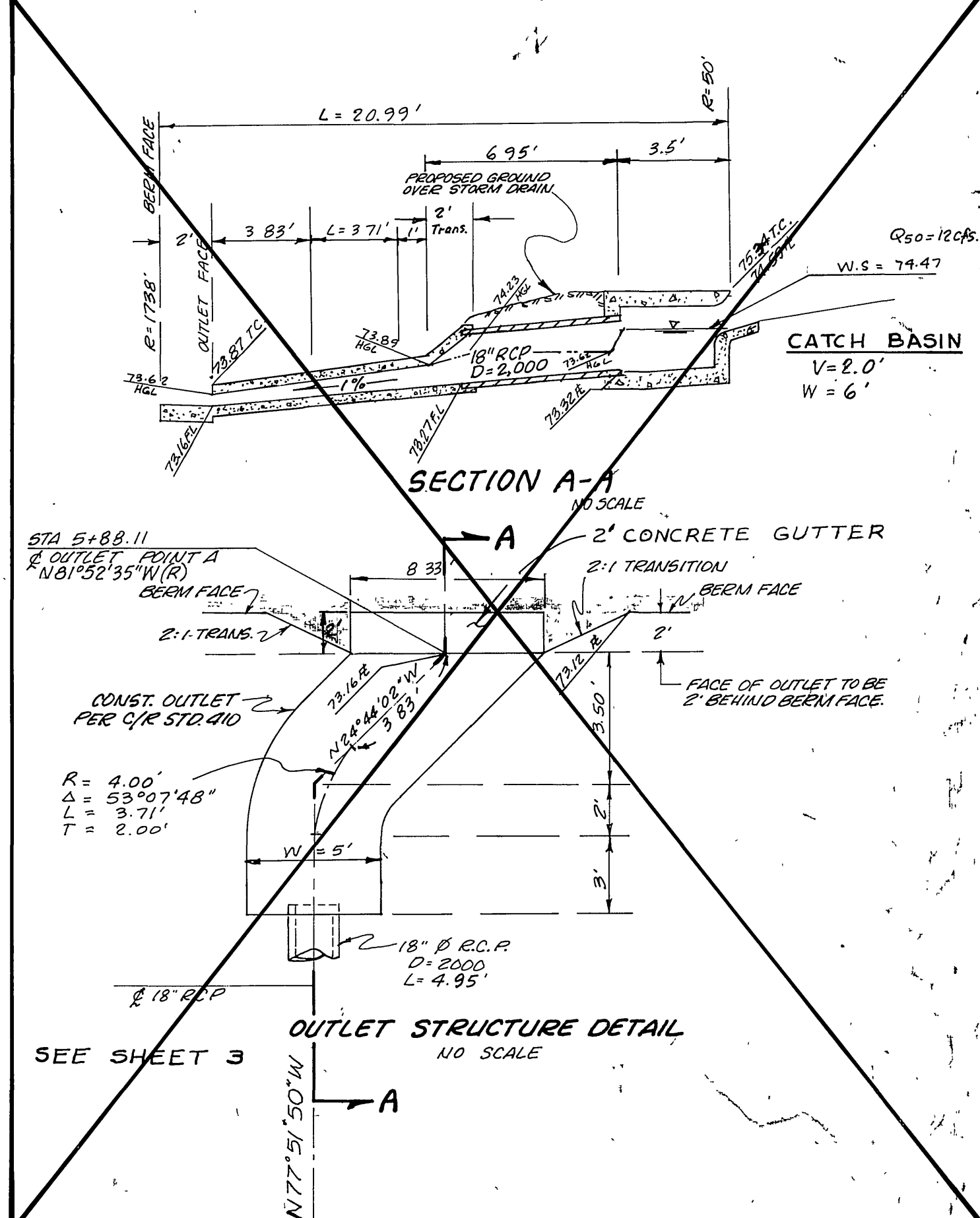
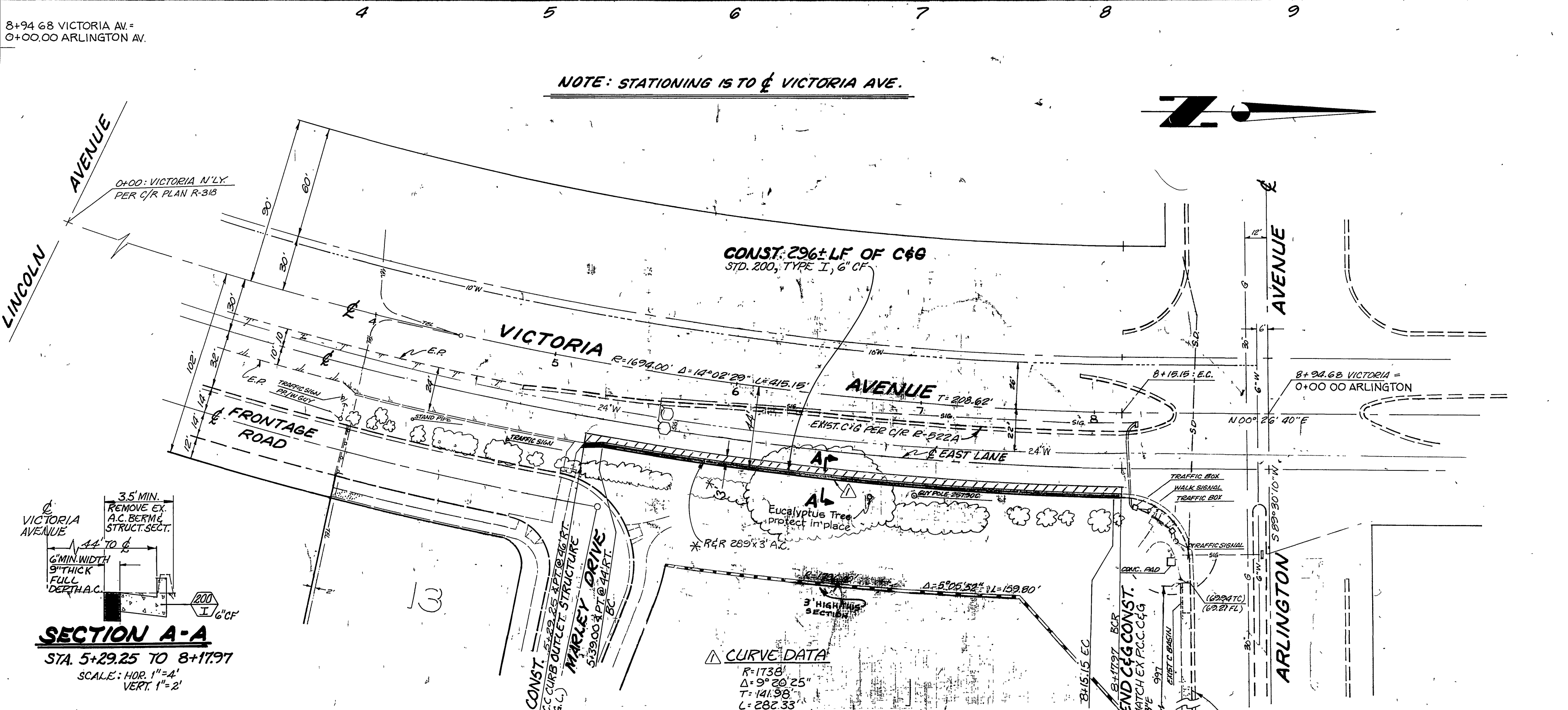
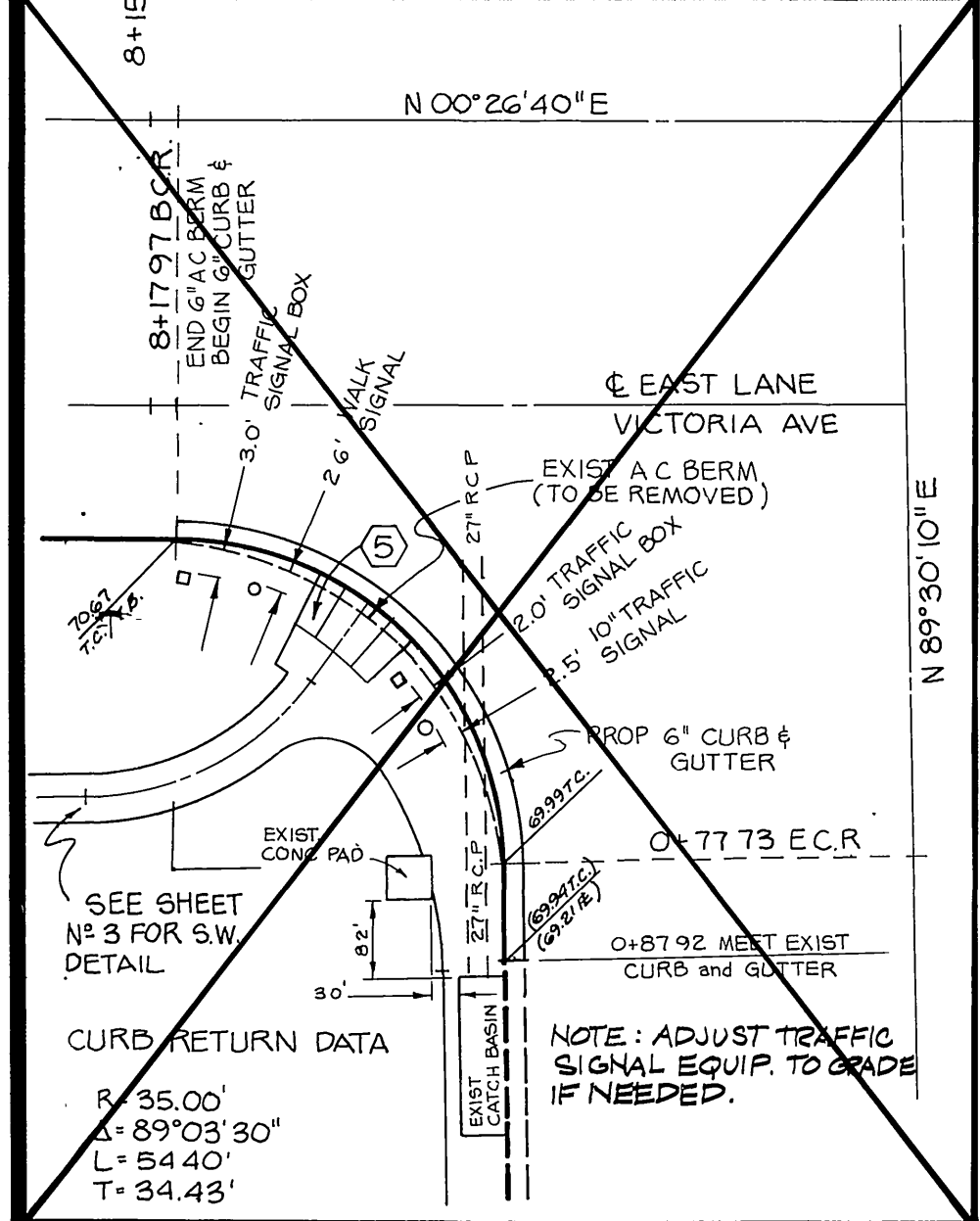
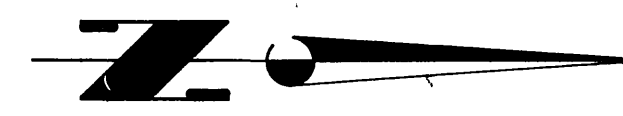


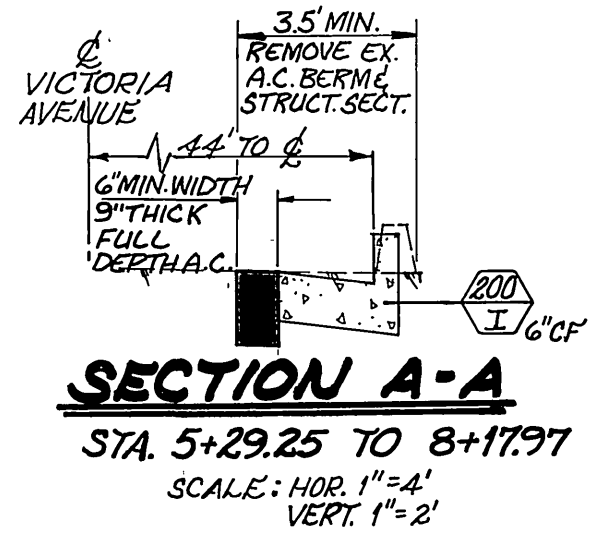
SPECIAL NOTE:
 ALL ELEVATIONS SHOWN ON THE PLANS SHALL BE STAKED IN THE FIELD PRIOR TO REMOVALS.



NOTE: STATIONING IS TO E VICTORIA AVE.



PACIFIC TELEPHONE
 APPROVED BY:
[Signature]
 PUBLIC IMPROVEMENT ENGINEER
 DATE: 9-30-80



Underground Service Alert
 Call: TOLL FREE
 1-800-422-4133
 48 Hours Before You Dig

ENGINEER IN RESPONSIBLE CHARGE
 Ronald C. Mueller
 R.C.E. 29510
 DATE: 8-14-87

Contractor agrees that he shall assume sole and complete responsibility for job site conditions during the course of construction of this Project, including safety of all persons and property; that this requirement shall apply continuously and not be limited to normal working hours; and that the Contractor shall defend, indemnify and hold the Owner and the Engineer harmless from any and all liability, real or alleged, in connection with the performance of work on this Project, excepting for liability arising from the sole negligence of the Owner or the Engineer.

CITY OF RIVERSIDE, CALIFORNIA
 DEPARTMENT OF PUBLIC WORKS
 APPROVED BY:
[Signature]
 DIRECTOR OF PUBLIC WORKS
 DATE: 8/19/87

STREET PLAN & PROFILE
 VICTORIA AVENUE
 CURB & GUTTER
 EAST SIDE, ARLINGTON AVE. TO 400+5.14
 PROJECT NO. 30 515 230-01
 SHEET 1
 FILE NO.