

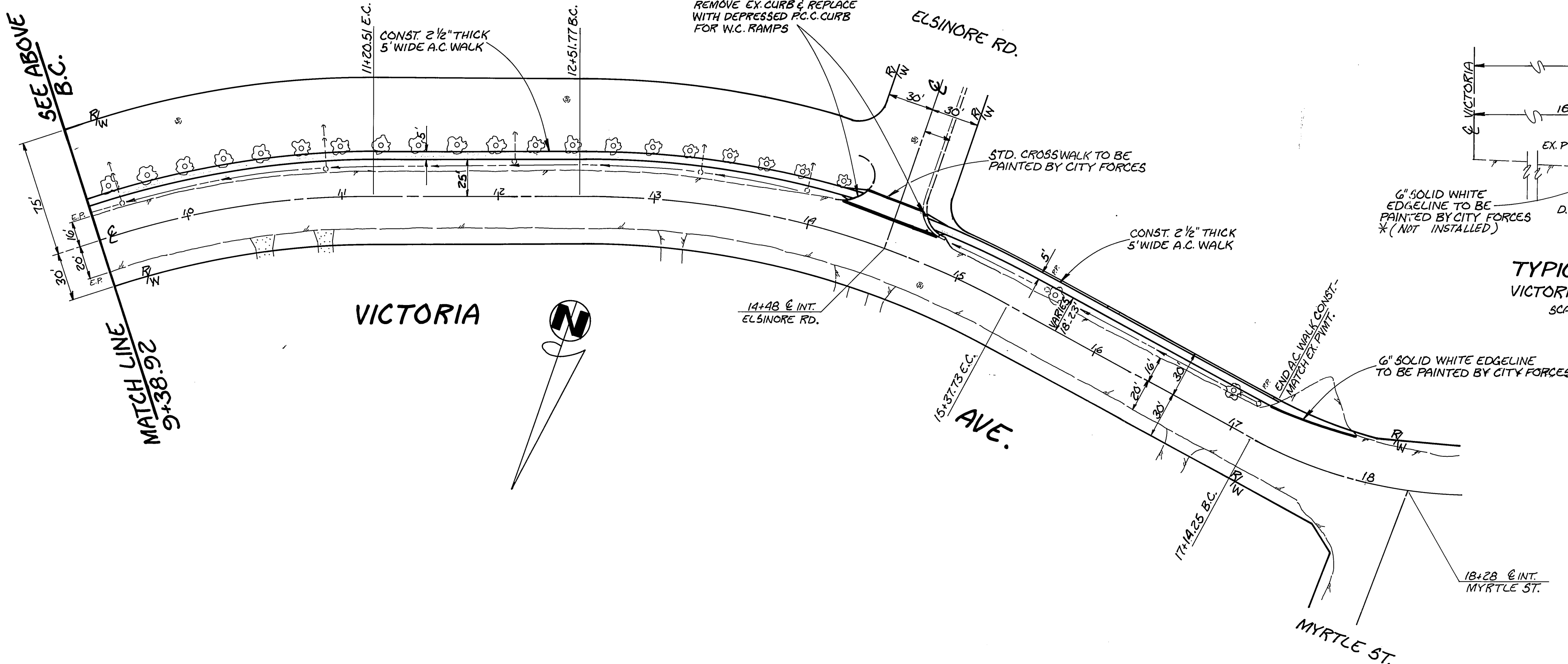
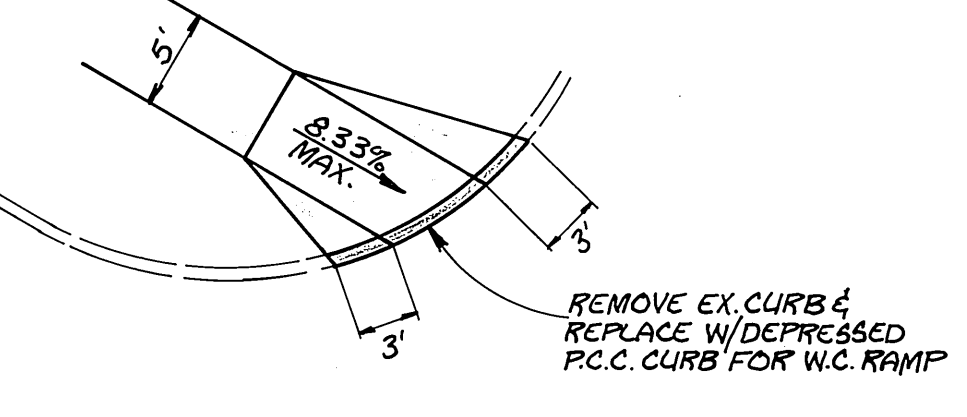
CONSTRUCTION LEGEND

CONST. 2 1/2" THICK ASPHALT CONCRETE SIDEWALK, TYPE DE-AR-3000. *

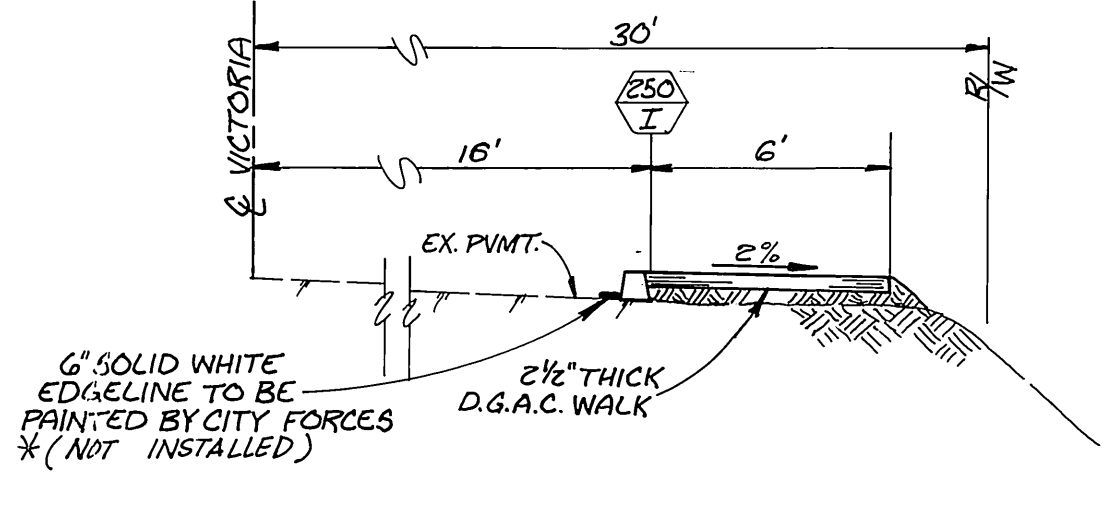
CONSTRUCTION NOTES

- NUMBERS ABOVE 100 IN A HEXAGON ON THE PLAN REFER TO THE RESPECTIVE STANDARD DRAWING AND SHALL BE CONSTRUCTED ACCORDINGLY, UNLESS MODIFICATIONS ARE NOTED ON THE PLAN. ANY NUMBER SHOWN BELOW THE STANDARD DRAWING NUMBER INDICATES THE SPECIFIC ALTERNATE TO BE CONSTRUCTED.
- 1 PRIME CONTRACTORS BIDDING THIS WORK SHALL HAVE A CLASS "A" OR "C-12" LICENSE.
- 2 ADJUST SEWER MANHOLE TO PROPOSED SIDEWALK GRADE.

W.C. RAMP DETAIL
SCALE: 1"=10'



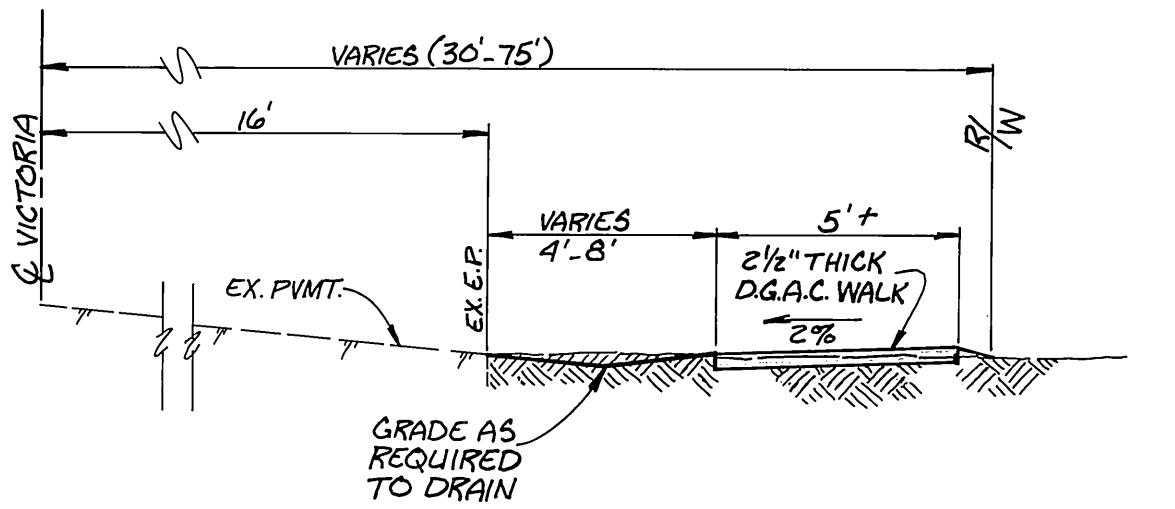
TYPICAL SECTION
VICTORIA BRIDGE TO ARROYO DR.
SCALE: 1"=4'



ESTIMATE OF QUANTITIES

A.C. PAVING-	130 TONS
A.C. BERM (STD. 250)-	500 L.F.
P.C.C. CURB (STD. 200)-	75 L.F.
ADJ. SEWER MANHOLE	2 EA.

TYPICAL SECTION
ARROYO DR. TO MYRTLE ST.
SCALE: 1"=4'



ENGINEER IN RESPONSIBLE CHARGE
Ronald C. Mueller
RONALD C. MUELLER
R.C.E. 29510 expires 2-31-91
DATE 3-10-89

PROFESSIONAL ENGINEER
NO. 29510
Expires 2-31-91
CIVIL
STATE OF CALIFORNIA

CITY OF RIVERSIDE
PUBLIC WORKS DEPARTMENT

APPROVED BY	DATE	APPROVED BY	DATE
PRINCIPAL ENGINEER		<i>Barry Beal</i>	
PARK DEPARTMENT		PUBLIC WORKS DIRECTOR	
TRAFFIC DIVISION	2-9-89		
CHIEF P.W. ENGINEER	2-5-89		

DATE 1/5/89

ACCOUNT NO. 80-575-280-09
VICTORIA AVE. SIDEWALK
VICTORIA BRIDGE TO MYRTLE ST.
R-3031
SHEET 1 OF 1

HORIZ. SCALE: 1"=50' VERT. SCALE: 1"=4'
INDEXED 10/18/89