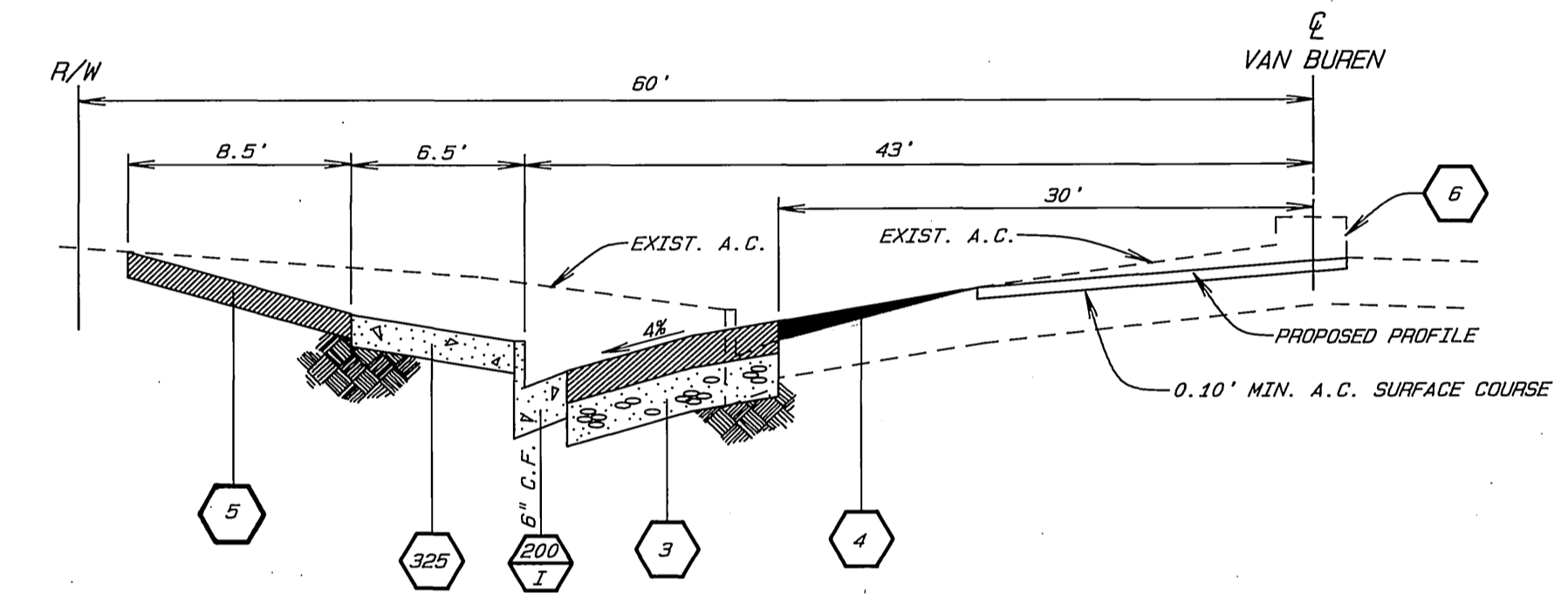


GENERAL NOTES

- CONSTRUCTION WITHIN THE STREET RIGHT OF WAY SHALL BE IN ACCORDANCE WITH THE CITY OF RIVERSIDE STANDARD DRAWINGS AND STANDARD SPECIFICATIONS FOR PUBLIC WORKS CONSTRUCTION, 1991 EDITION.
- ALL WORK WITHIN STATE RIGHT-OF-WAY SHALL BE IN ACCORDANCE WITH STATE STANDARDS AND WITH THE REQUIREMENTS OF THE ENCROACHMENT PERMIT WHICH IS PART OF THE SPECIAL PROVISIONS.
- NUMBERS ABOVE 100 IN A HEXAGON ON THE PLAN REFER TO THE RESPECTIVE STANDARD DRAWING AND SHALL BE CONSTRUCTED ACCORDINGLY, UNLESS MODIFICATIONS ARE NOTED ON THE PLAN. ANY NUMBER SHOWN BELOW THE STANDARD DRAWING NUMBER INDICATES THE SPECIFIC ALTERNATE TO BE CONSTRUCTED. NUMBERS LESS THAN 100 REFER TO THE CONSTRUCTION NOTES.
- USE STATE STANDARD NB-A, TYPE A2-B.

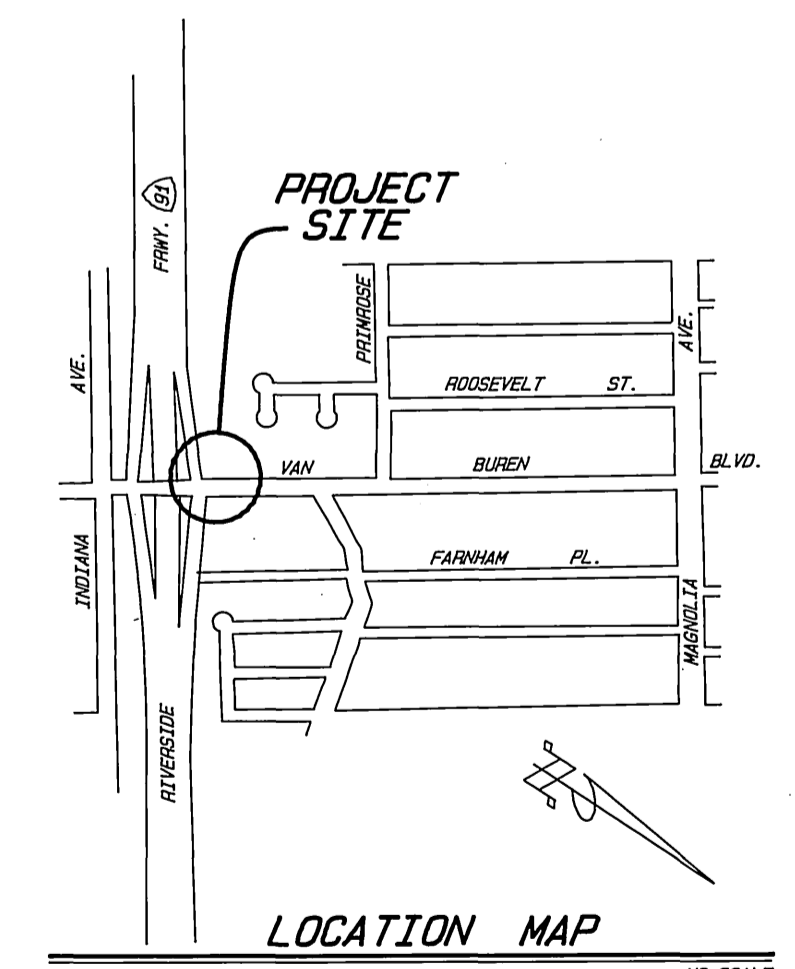
CONSTRUCTION NOTES

- CONFLICTING UTILITIES IN THE CONSTRUCTION AREA SHALL BE RELOCATED OR ABANDONED.
- EXISTING UTILITIES SHOWN ON THE PLAN, ARE PLOTTED FROM UTILITY RECORDS. THE CONTRACTOR IS REQUIRED TO TAKE DUE PRECAUTIONARY MEASURES TO LOCATE AND PROTECT ALL UTILITIES WHETHER OR NOT SHOWN ON THIS PLAN.
- CONSTRUCT AC PAVEMENT (4" AC OVER 6"A.B.)
- CONSTRUCT VARIABLE THICKNESS AC PAVEMENT OVERLAY.
- CONSTRUCT 3" FULL DEPTH A.C.
- REMOVE EXISTING MEDIAN.
- RELOCATE STREET LIGHT AND CONDUITS AS PER PLAN X-224.
- REMOVE 40' OF EXIST. STATE FENCE AND REPLACE WITH 20 L.F. OF NEW FENCE PER STATE STANDARD F10.
- ICEPLANT TO BE REPLACED WHERE DISTURBED.
- CONSTRUCT 6" HIGH WALL, MONOLITHIC WITH SIDEWALK. (BETWEEN STA. 4+13 AND STA. 4+52).
- REMOVE AND REPLACE A.C. (4" OVER 6" A.B.)



TYPICAL SECTION

SECTION A-A (STA. 4+16 TO 4+49)



LOCATION MAP

RIVERSIDE FWY. 91

VAN BUREN

BOULEVARD



ENGINEER IN RESPONSIBLE CHARGE
Hans J. Kamrath
 HANS J. KAMRATH
 R.C.E. 14712 expires 3/31/93
 DATE 9/11/1991

MARK	REVISIONS	APPR.	DATE

CITY OF RIVERSIDE
 PUBLIC WORKS DEPARTMENT

APPROVED BY	DATE	BY
DEPUTY P.W. DIRECTOR	9/13/91	9/13/91
PRINCIPAL ENGINEER	9/13/91	9/13/91
CHIEF P.W. INSPECTOR	9/13/91	9/13/91
SURVEYOR	9/13/91	9/13/91

TRAFFIC DIVISION
 PARKS DEPARTMENT
 STREET SERVICES

VAN BUREN BLVD.
WIDENING
WESTBOUND 91 FWY. ON-RAMP

ACCOUNT NO. 30-576-326-30
R-3184
 SHEET ONE OF ONE

STATIONING IS BASED ON INTERSECTION OF INDIANA AVE. AS BEING 10+00.

HORIZ. SCALE: 1" = 20' VERT. SCALE: 1" = 2'

INDEXED 4-21-92 LFH