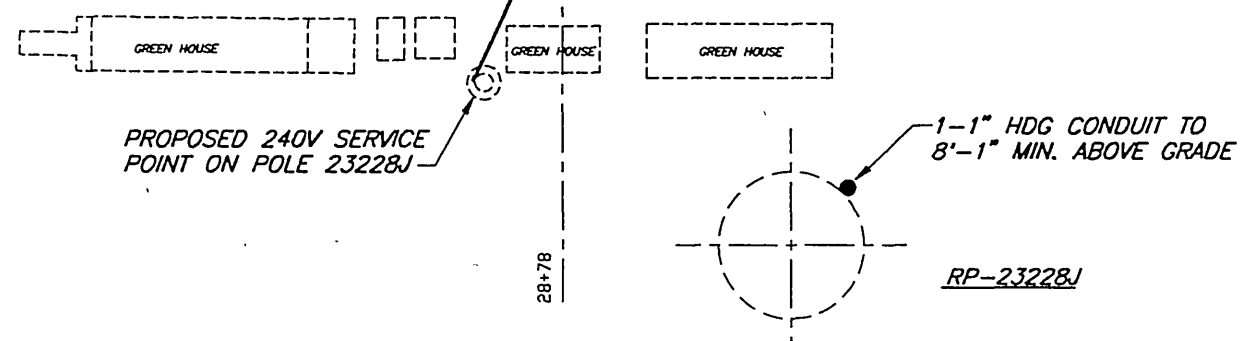
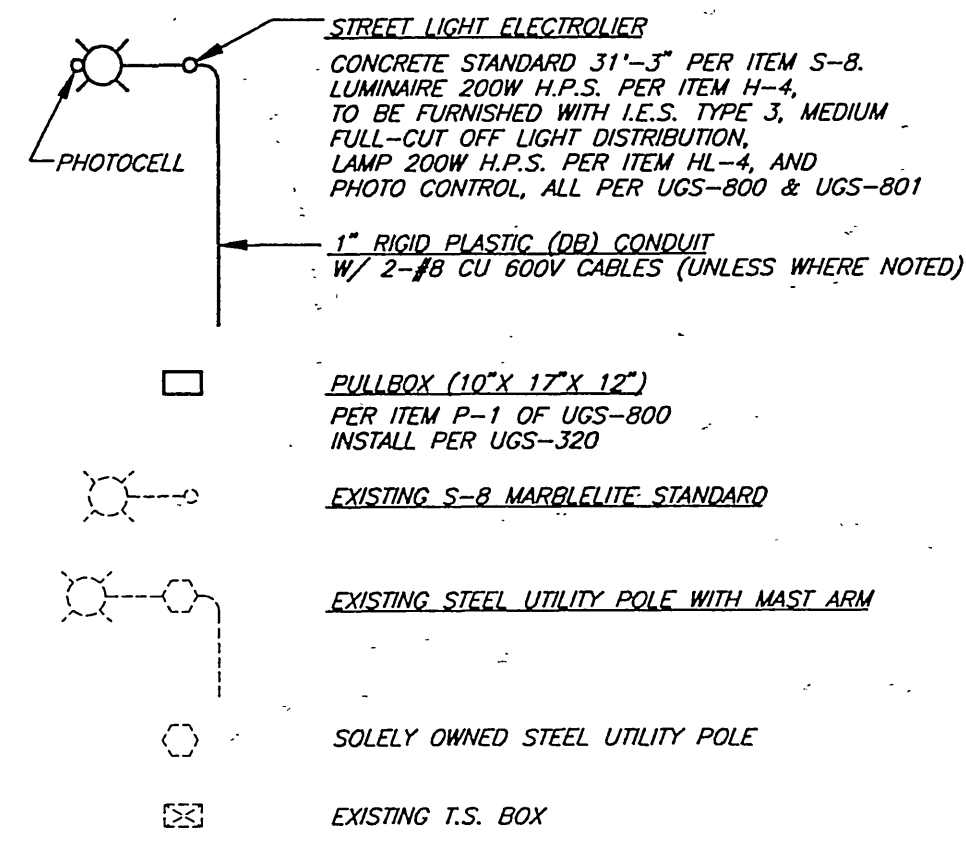


RISER POLE DETAIL



STREET LIGHT LEGEND



STREET LIGHT NOTES

1. PROVIDE AND INSTALL ALL STREET LIGHT FACILITIES SHOWN INCLUDING STREET LIGHT CABLE, AS SHOWN IN CONFORMANCE WITH THE FOLLOWING STANDARD DRAWINGS: UGS-800, 801, & STREET LIGHT SPECIFICATION #2-6
2. EXCAVATION FOR STREET LIGHT CONDUIT AND ELECTROLIER FOUNDATIONS MUST BE DONE AFTER INSTALLATION OF CURBS AND GUTTERS, BUT BEFORE INSTALLATION OF CURB RETURNS WITH SPANDRELS, CROSS GUTTERS, SIDEWALKS, AND DRIVE APRONS.
3. INSTALL A WATERPROOF "IN-LINE" FUSE HOLDER ON THE PHASE LEG CONDUCTOR(S) IN THE BASE OF EACH STREET LIGHT STANDARD. FUSE HOLDER TO BE "BUSSMAN TROM" #HEB COMPATIBLE WITH SIZE AND TYPE OF WIRE, WITH A "BUSSMAN" FNM 10 AMP 250V FUSE OR APPROVED EQUAL.
4. MARK INSTALLATION DATE ON PHOTO CONTROLS AND LAMPS AS PROVIDED FOR BY MFR.
5. ACQUIRE A STREET OPENING PERMIT PRIOR TO EXCAVATING IN STREET RIGHT-OF-WAY.
6. CONTACT PUBLIC UTILITIES STREET LIGHT INSPECTOR FOR REQUIRED INSPECTIONS. (782-5429)
7. ALL STREET LIGHT FEED POINTS TO BE CONNECTED BY THE PUBLIC UTILITIES DEPARTMENT AND ENERGIZED WHEN CLEARED BY DEPARTMENT INSPECTOR.
8. THIS PLAN IS ACCURATE FOR STREET LIGHT FACILITIES ONLY. SEE STREET IMPROVEMENT PLAN R-3359 FOR STREET IMPROVEMENT DETAILS.

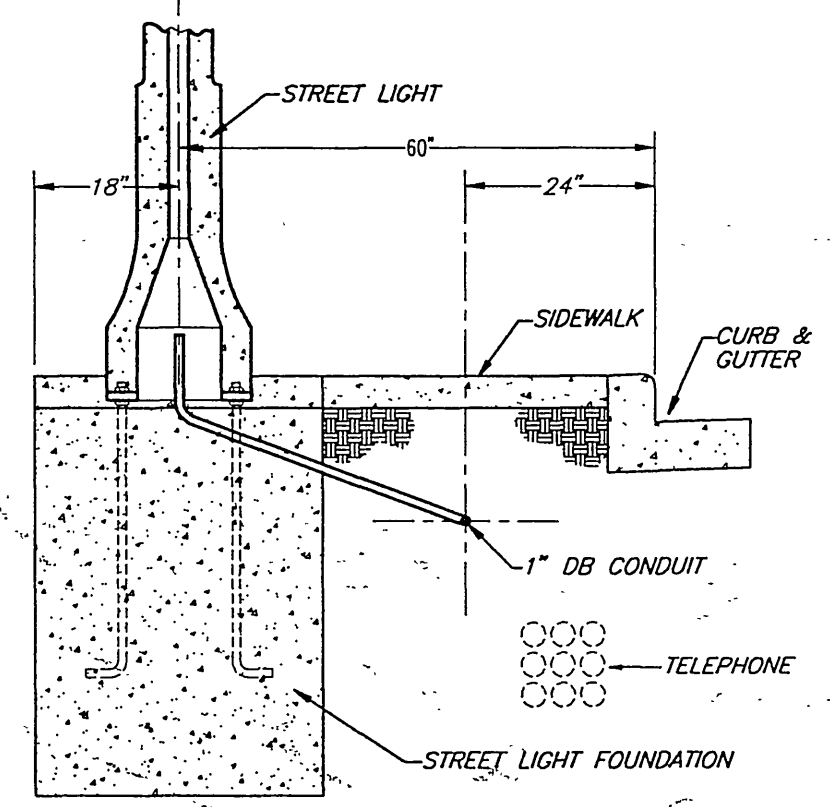
OPTIMUM ILLUMINATION LEVELS SUMMARY

SPACING	MH	ARM LENGTH	PHOTOMETRIC CURVE	LAMP WATTAGE	ROADWAY WIDTH	AVG ILL	U/R
96' STAG	34.6'	8'	7356	200W	86'	.81	3.08

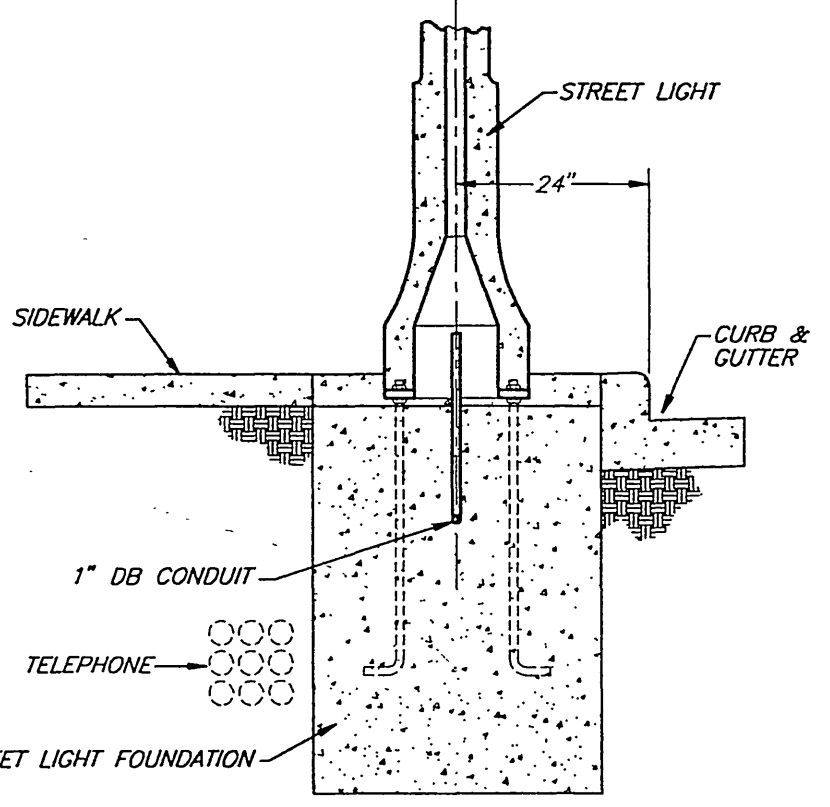
REFERENCE DRAWINGS : L5-12813 / L5-13070 / L5-4860 / L5-4942

STREET LIGHTING FOR:
CANYON CREST DRIVE
MARTIN LUTHER KING BLVD TO PEARLBLOSSOM DR.

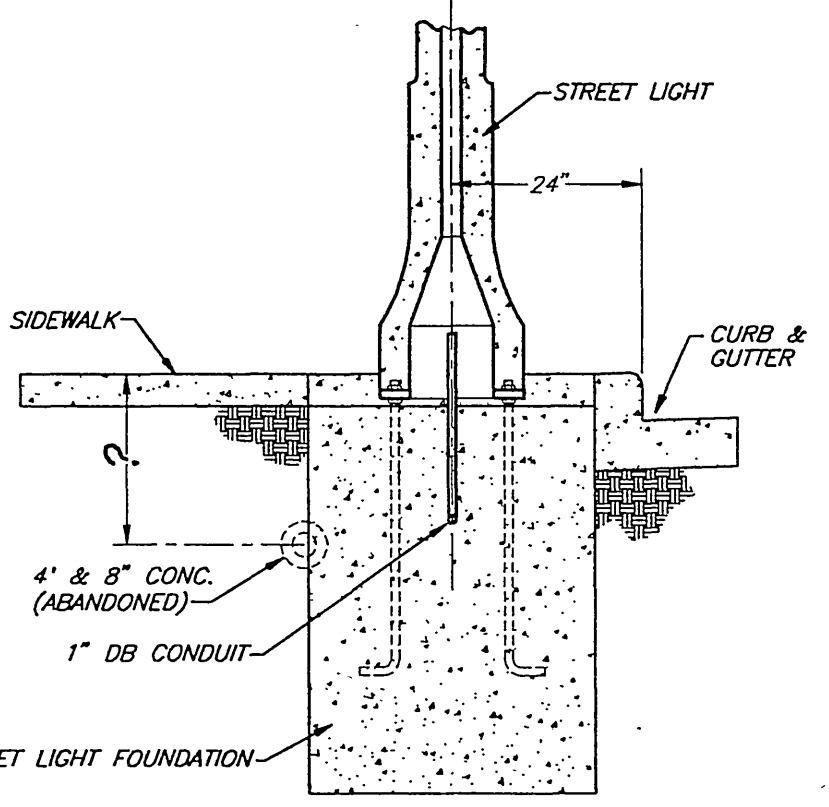
SCALE: 1" = 50'	DRAWN: P. RUBEN	CITY OF RIVERSIDE
DATE: 03-21-94	CHECKED: [Signature]	DEPARTMENT OF PUBLIC UTILITIES
FILE NO.:	APPROVED: [Signature]	DRAWING NO. L5-1091
DATE: 10-21-94	BOARD DATE: 10-21-94	DIV. E SHEET 1 OF 1



TYPICAL STA. 12+27 - 18+03
SCALE: 1" = 2"



TYPICAL STA. 19+90 - 21+70
SCALE: 1" = 2"



TYPICAL STA. 23+45 - 30+70
SCALE: 1" = 2"

