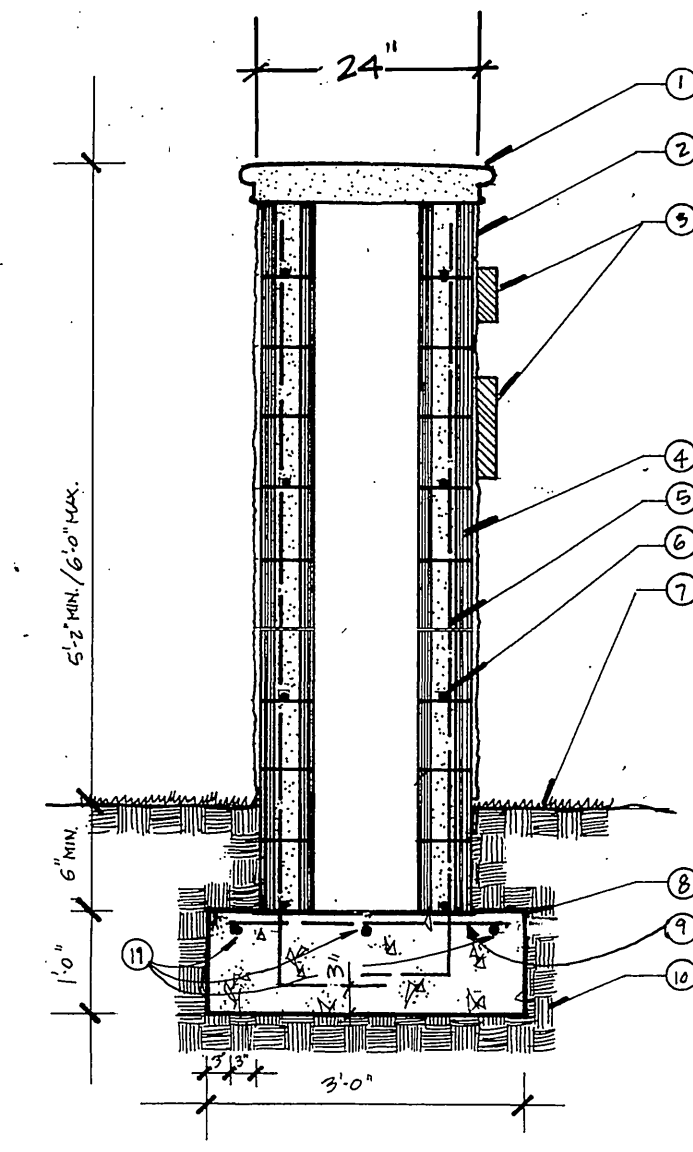
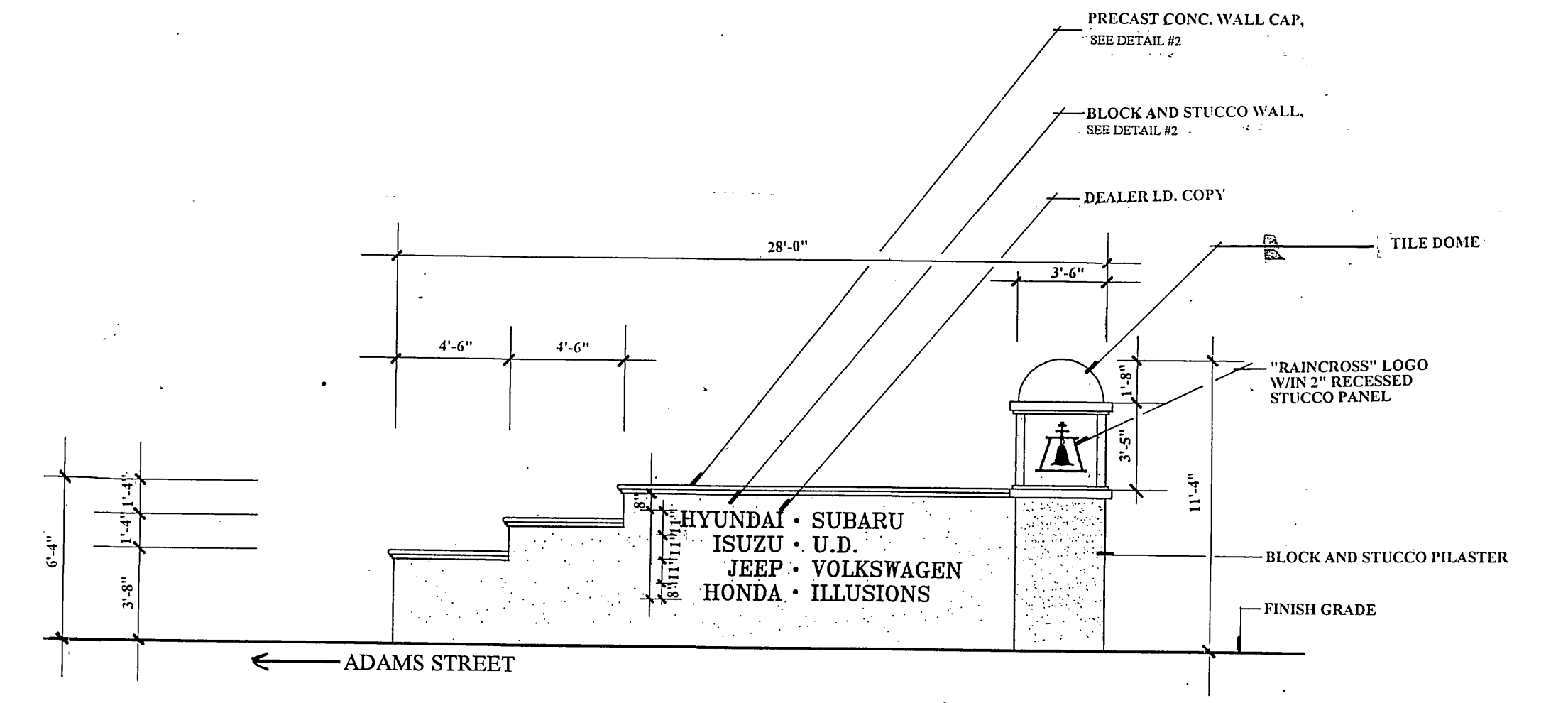


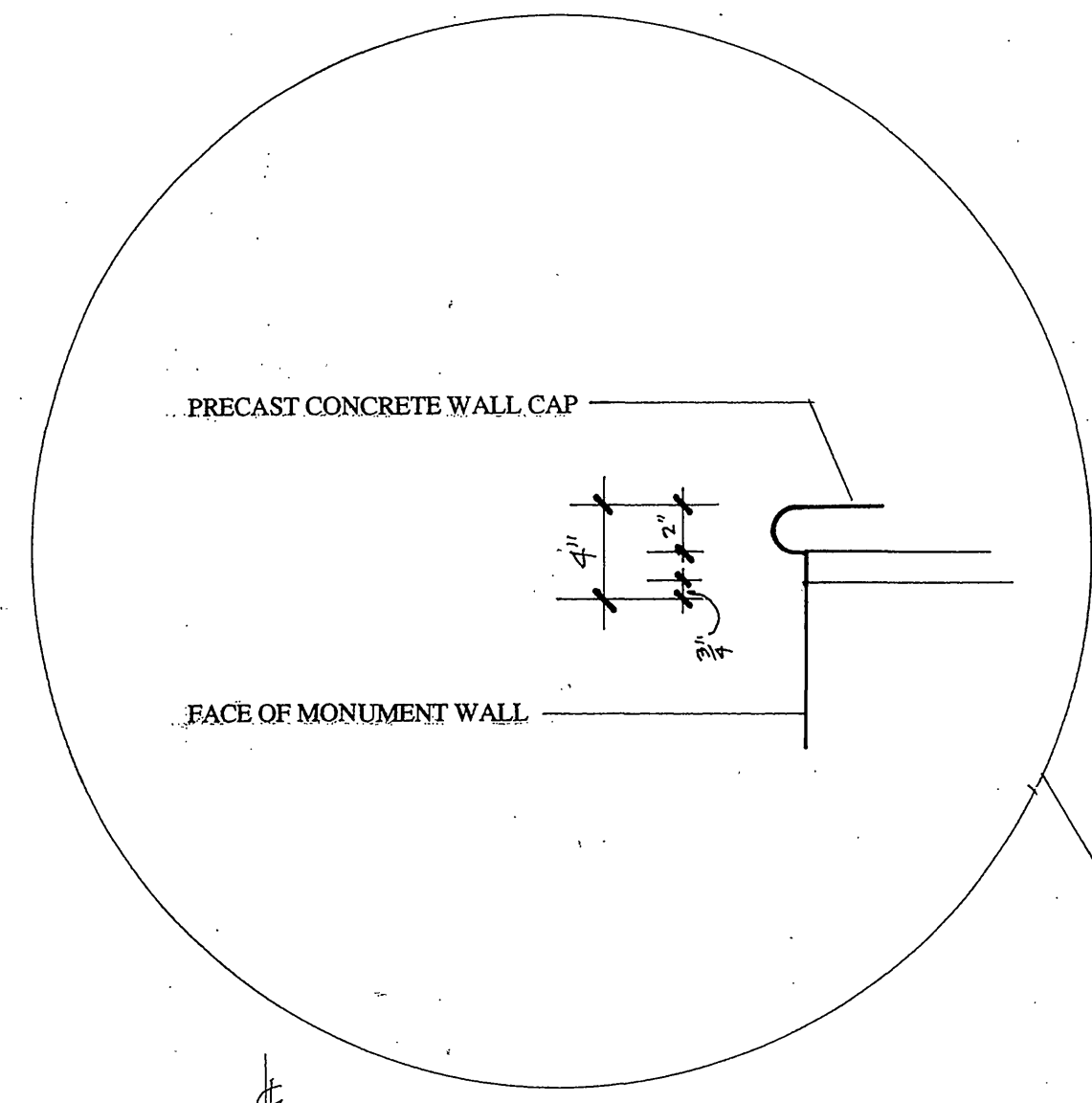
- ① #4 SQ. HAND PAINTED CERAMIC TILE, DESIGN TO BE SELECTED (by City)
- ② SETTING GROUT, SCREED TO DOME SHAPE
- ③ 2X4X8 CORE BRICK, SET RADIAL TO FORM DOME BASE
- ④ SMOOTH TROWEL STUCCO FINISH, COLOR #X-42 FROM "LA HABRA STUCCO"
- ⑤ 4X8X16 PRECISION BLOCK, GROUT ALL CELLS SOLID
- ⑥ 8 EA. #5 VERTICAL BAR
- ⑦ 8X8X16 PRECISION BLOCK, GROUT CELLS TO RECEIVE VERTICAL BAR
- ⑧ 2X2 STYROFOAM PLANT-ON FORM
- ⑨ #4 HORIZONTAL BAR AT 16" O.C.
- ⑩ STUCCO SCREED, 1" ABOVE FINISH GRADE
- ⑪ FINISH GRADE
- ⑫ CONCRETE FOOTING
- ⑬ COMPACTED SUBGRADE
- ⑭ #4 @ 32" O.C. HORIZONTAL BAR



- CONSTRUCTION LEGEND**
- ① PRECAST CONCRETE CAP FROM ORCO BLOCK CO. STYLE #APCZ78N, COLOR #CS218 "SUN-BLACKED CLAY"
  - ② SMOOTH TROWEL STUCCO FINISH, COLOR #X-42 FROM "LA HABRA STUCCO"
  - ③ Identification Copy BRASS LETTERS (SUBMIT FONT)
  - ④ 6 X 8 X 16 Precision Block Masonry Unit, Solid Grout all Cells
  - ⑤ #5 Vertical Bar @ 16" O.C.
  - ⑥ #4 Horizontal Bar @ 24" O.C.
  - ⑦ Finish Grade
  - ⑧ Concrete Footing
  - ⑨ #4 Bar @ 16" O.C. (top)
  - ⑩ Compacted Subgrade
  - ⑪ #4 Bar @ both ends & center

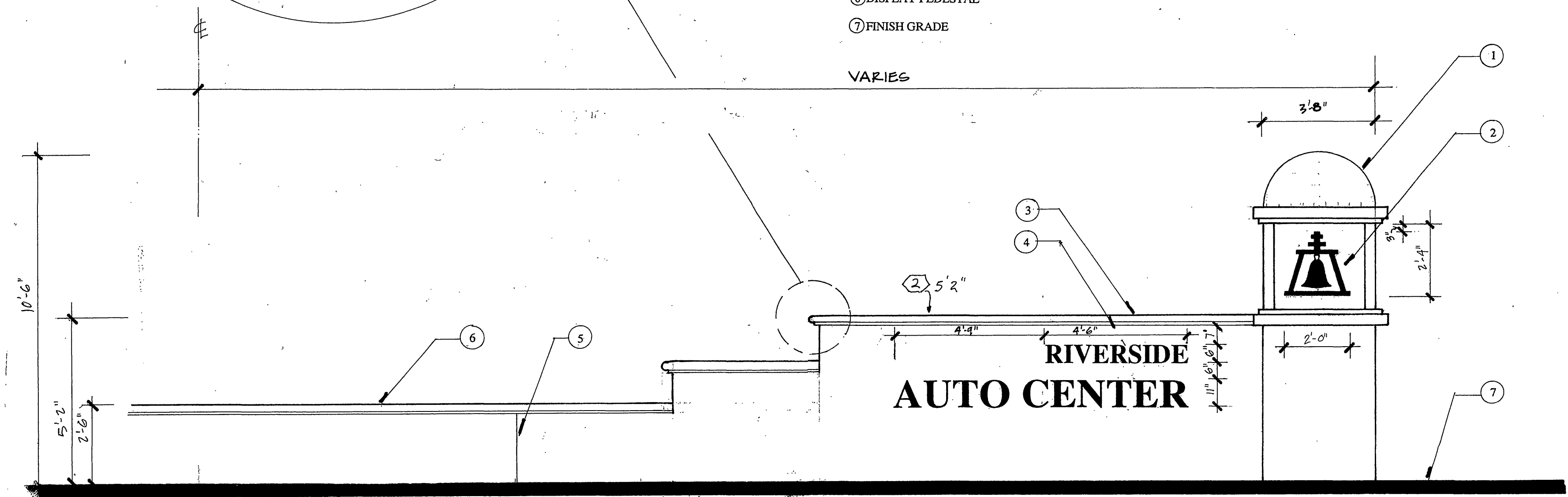


ADAMS STREET @ AUTO DRIVE MULTIPLE DEALER I.D. SIGN



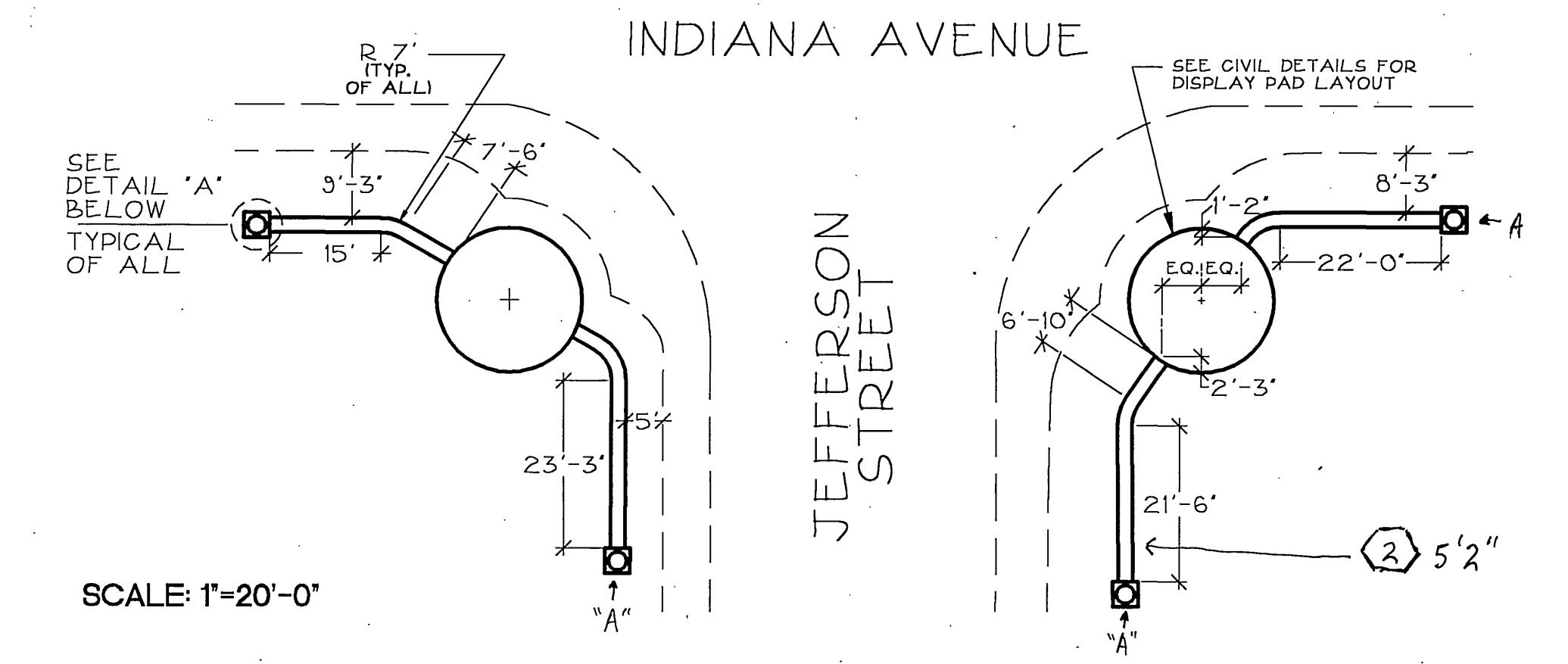
- CONSTRUCTION LEGEND**
- ① MONUMENT WALL PILASTER, SEE DETAIL 1 SH. M-1
  - ② 1" EMBEDDED RAINCROSS LOGO - BRASS (ALL FOUR SIDES)
  - ③ MONUMENT WALL CAP
  - ④ I.D. LETTERING
  - ⑤ LIMIT OF MONUMENT WALL
  - ⑥ DISPLAY PEDESTAL
  - ⑦ FINISH GRADE

VARIES

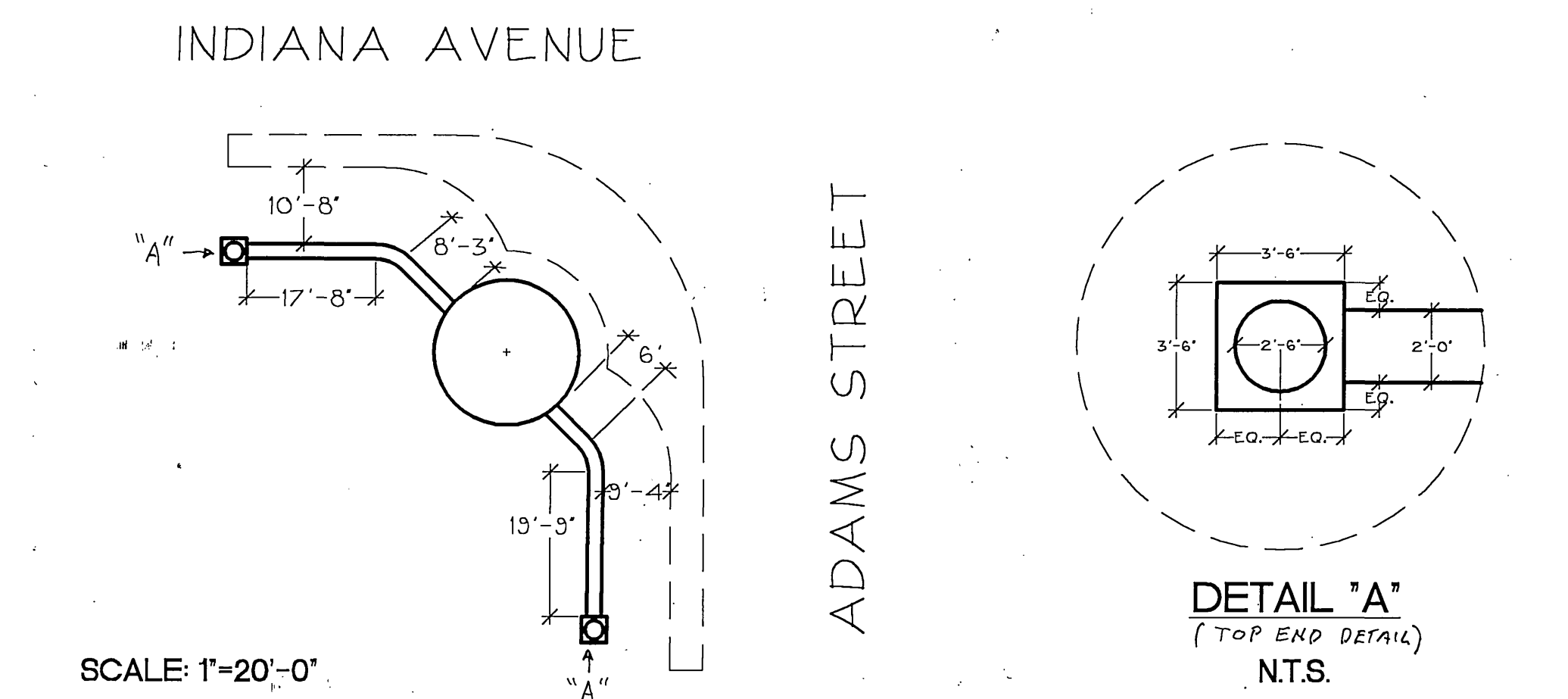


INDIANA / ADAMS + INDIANA / JEFFERSON

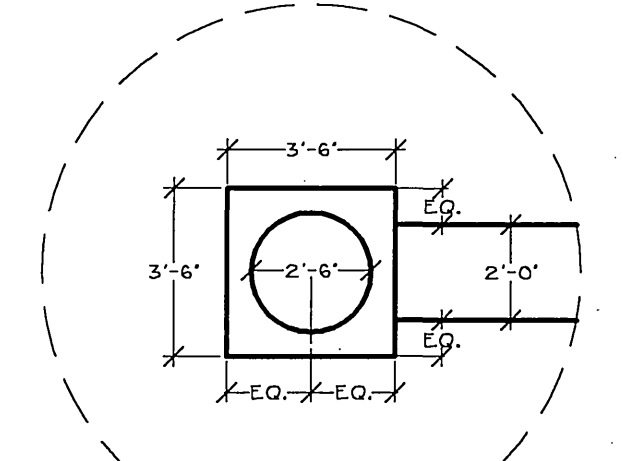
MONUMENT ELEVATION/SECTIONS



SCALE: 1"=20'-0"



SCALE: 1"=20'-0"



DETAIL "A" (TOP END DETAIL) N.T.S.

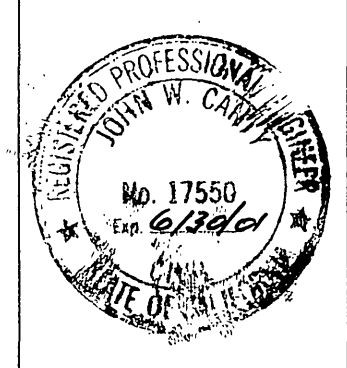
**MONUMENT SIGN LAYOUTS**

FILE W/R-3411

PLOT DATE: 3-26-97

Underground Service Alert  
Call: TOLL FREE  
1 - 800  
227 - 2600  
TWO WORKING DAYS BEFORE YOU DIG

**PRIVATE ENGINEERING NOTE**  
CONSTRUCTION CONTRACTOR AGREES THAT IN ACCORDANCE WITH GENERALLY ACCEPTED CONSTRUCTION PRACTICES, CONSTRUCTION CONTRACTOR WILL BE REQUIRED TO ASSUME SOLE AND COMPLETE RESPONSIBILITY FOR JOB SITE CONDITIONS DURING THE COURSE OF CONSTRUCTION OF THE PROJECT, INCLUDING SAFETY OF ALL PERSONS AND PROPERTY, THAT THIS REQUIREMENT SHALL BE MADE TO APPLY CONTINUOUSLY AND NOT BE LIMITED TO NORMAL WORKING HOURS, AND CONSTRUCTION CONTRACTOR FURTHER AGREES TO DEFEND, INDEMNIFY AND HOLD DESIGN PROFESSIONAL HARMLESS FROM ANY AND ALL LIABILITY, REAL OR ALLEGED, IN CONNECTION WITH THE PERFORMANCE OF WORK ON THIS PROJECT, EXCEPTING LIABILITY ARISING FROM THE SOLE NEGLIGENCE OF DESIGN PROFESSIONAL.



PREPARED UNDER THE DIRECTION OF:  
*John W. Carr*  
REGISTERED NO. 17550  
EXPIRATION DATE: 6/26/01 DATE: 10/21/98  
APPROVED BY:

**CEC CANTY ENGINEERING GROUP, INC.**  
CIVIL ENGINEERING - PLANNING - SURVEYING  
3120 CHICAGO AVENUE, SUITE 180, P.O. BOX 52050, RIVERSIDE, CA 92517  
TEL (909) 683 - 5234 FAX (909) 683 - 5301

SCALE: N/A BENCH MARK: RIV. CO. BM 601-21-68 CALTRANS BRASS DISK SET IN CONC. WELL LOCATED IN CENTERLINE OF MONROE STREET 40' NW OF INDIANA AVENUE. ELEVATION: 810.933  
DATE: MARCH 1997

MARK	REVISIONS	APPR.	DATE

DESIGNED BY: *Glen* DRAWN BY: CHECKED BY: *Tech*

CITY OF RIVERSIDE, DEPARTMENT OF PUBLIC WORKS

APPROVED BY	BY	DATE	APPROVED BY
PRINCIPAL ENGR.			DIRECTOR OF PUBLIC WORKS
PARK DEPARTMENT			
TRAFFIC DIVISION			
CHIEF P. ENGR.			

IN THE CITY OF RIVERSIDE, COUNTY OF RIVERSIDE STATE OF CALIFORNIA	PROJECT NO.
AUTO CENTER RENOVATION PLAN	M-1
MONUMENT DETAILS	OF 1
FOR: RIVERSIDE AUTO CENTER ASSESSMENT DISTRICT	FILE NO.: 9613380

INDEXED 12-26-a 4th