

INCORPORATED 1893  
  
**RIVERSIDE CALIFORNIA**

**PUBLIC WORKS DEPARTMENT**

**NICOLETT STREET SIDEWALK**

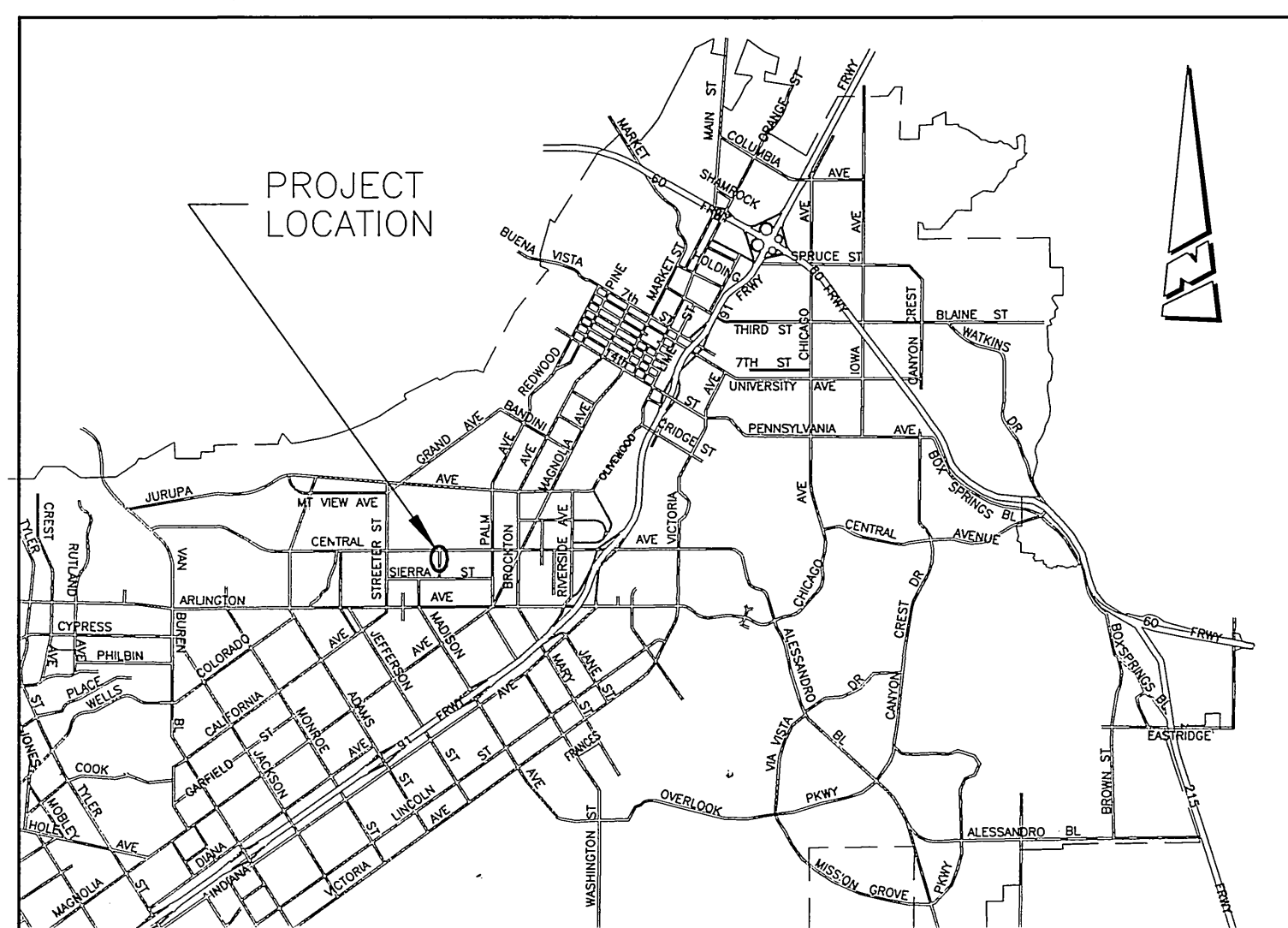
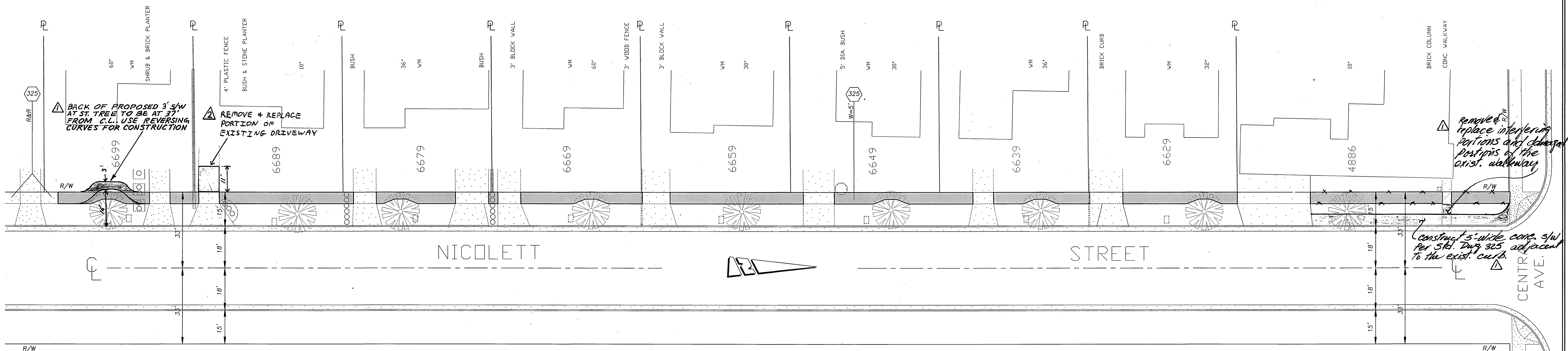
(W'LY SIDE FROM 670' S'LY CENTRAL AVE. TO CENTRAL AVE.)

**CONSTRUCTION NOTES**

- 1 THE CONTRACTOR IS REQUIRED TO TAKE DUE PRECAUTIONARY MEASURES TO LOCATE AND PROTECT ALL UTILITIES WHETHER OR NOT SHOWN ON THIS PLAN.
  - 2 PRIME CONTRACTOR BIDDING THIS WORK SHALL HAVE A CLASS "A" OR "C-12" LICENSE.
  - 3 TREES AND SHRUBS, AFFECTED BY THE PROPOSED SIDEWALK CONSTRUCTION, SHALL BE TRIMMED TO AT LEAST 8" VERTICALLY ABOVE THE SIDEWALK SURFACE AND TO AT LEAST 3' LATERALLY OF THE SIDEWALK, WHERE RIGHT-OF-WAY PERMITS.
  - 4 MAIL BOXES, INTERFERING WITH PROPOSED SIDEWALK CONSTRUCTION, SHALL BE TEMPORARILY RELOCATED TO ENABLE PROPERTY OWNERS TO RECEIVE THEIR MAIL AND BE REINSTALLED IN FINAL POSITION BY THE CONTRACTOR.
  - 5 WATER METERS, GAS METERS AND ALL STREET PULL BOXES AFFECTED BY CONSTRUCTION, SHALL BE ADJUSTED TO THE PROPOSED SIDEWALK GRADE.
  - 6 EXISTING SPRINKLERS AND IRRIGATION LINES, AFFECTED BY THE CONSTRUCTION OF THE PROPOSED SIDEWALK, SHALL BE RELOCATED TO THE BACK OF THE SIDEWALK OR MODIFIED TO COVER EXISTING IRRIGATION AREAS EXCEPT THE NEW PAVED AREA.
- NUMBERS, ABOVE 100 IN A HEXAGON ON THE PLAN, REFER TO THE RESPECTIVE STANDARD DRAWING AND SHALL BE CONSTRUCTED ACCORDINGLY, UNLESS MODIFICATIONS ARE NOTED ON THE PLAN OR COVER SHEET. ANY NUMBER SHOWN BELOW THE STANDARD DRAWING NUMBER INDICATES THE SPECIFIC ALTERNATE TO BE CONSTRUCTED.

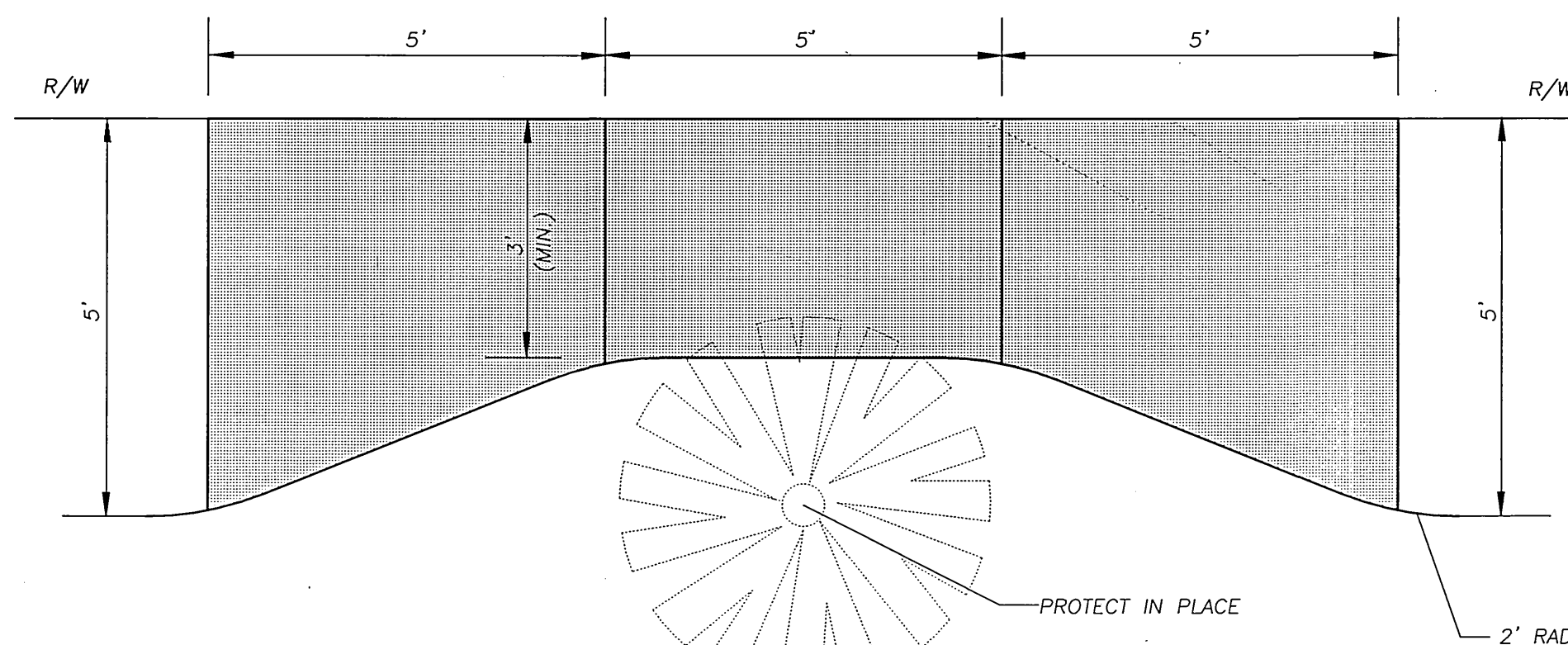
**ESTIMATED QUANTITY**

ITEM	QUANTITY
1. UNCLASSIFIED EXCAVATION	140 C.Y.
2. SIDEWALK, STD. 325	2,650 S.F.
3. IRRIGATION PIPE INSTALLATION	650 L.F.
4. SPRINKLER HEAD INSTALLATION	65 EA.



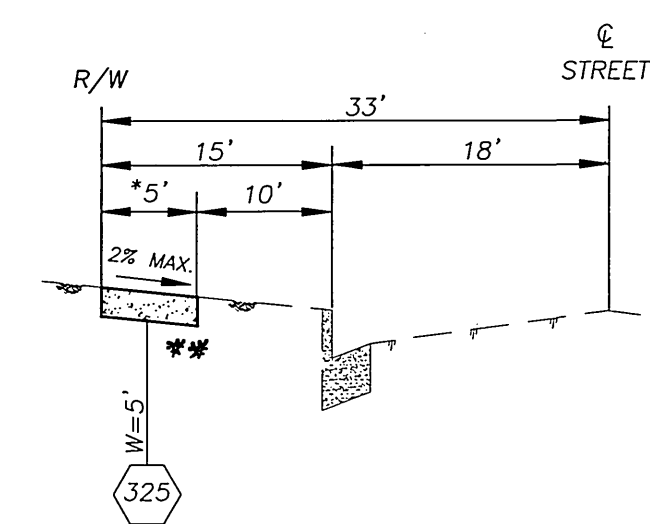
**PROJECT LOCATION MAP**

(NTS)



**SIDEWALK DETAILS AT TREE**

(NTS)

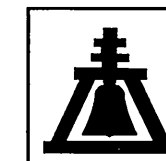


**TYPICAL SECTION**

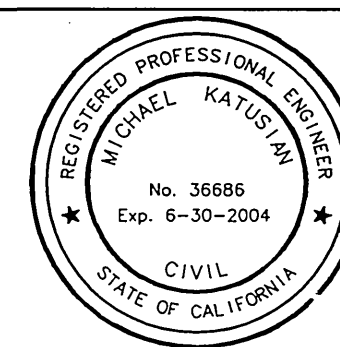
(NTS)

- \* SIDEWALK WIDTH SHALL BE ADJUSTED TO PROVIDE A 3' MINIMUM CLEAR PATHWAY BEHIND STREET TREES.
- \*\* All tree roots shall be removed to a depth of 24" below the existing ground before the construction of sidewalk.

\* AS-BUILT PER PLANS 5-10-01 LFT



ENGINEER IN RESPONSIBLE CHARGE  
**Michael Katusian**  
 MICHAEL KATUSIAN  
 R.C.E. No. 35686 expires 6/30/2004  
 DATE 5/15/03



DESIGNED BY: FYL DRAWN BY: FYL CHECKED BY: \_\_\_\_\_  
 APPROVED BY: \_\_\_\_\_ DATE: 5/15/03  
 CONTRACT ADMIN: \_\_\_\_\_ DATE: 5/15/03  
 SURVEYOR: \_\_\_\_\_ DATE: 5/15/03  
 STREET SERVICES: \_\_\_\_\_ DATE: 5/15/03  
 TRAFFIC ENGINEER: \_\_\_\_\_ DATE: 5/15/03  
 PARK & REC. DEP.: \_\_\_\_\_ DATE: 5/15/03

**CITY OF RIVERSIDE, CALIFORNIA  
 PUBLIC WORKS DEPARTMENT**

APPROVED BY: \_\_\_\_\_ DATE: 5/15/03  
 PRINCIPAL ENGINEER: \_\_\_\_\_ DATE: 5/15/03  
 CONTRACT ADMIN: \_\_\_\_\_ DATE: 5/15/03  
 SURVEYOR: \_\_\_\_\_ DATE: 5/15/03  
 STREET SERVICES: \_\_\_\_\_ DATE: 5/15/03  
 TRAFFIC ENGINEER: \_\_\_\_\_ DATE: 5/15/03  
 PARK & REC. DEP.: \_\_\_\_\_ DATE: 5/15/03

**NICOLETT ST. SIDEWALK**  
 (W'LY SIDE FROM 670' S'LY  
 CENTRAL AVE. TO CENTRAL AVE.)

ACCT. NO.: 9546127152-440223xx

R-3720

SHEET 1 OF 1

HORIZ. SCALE: 1" = 20'

FILE: LFRANK\G\DWG\R3720

INDEXED 5-20-03 LFT