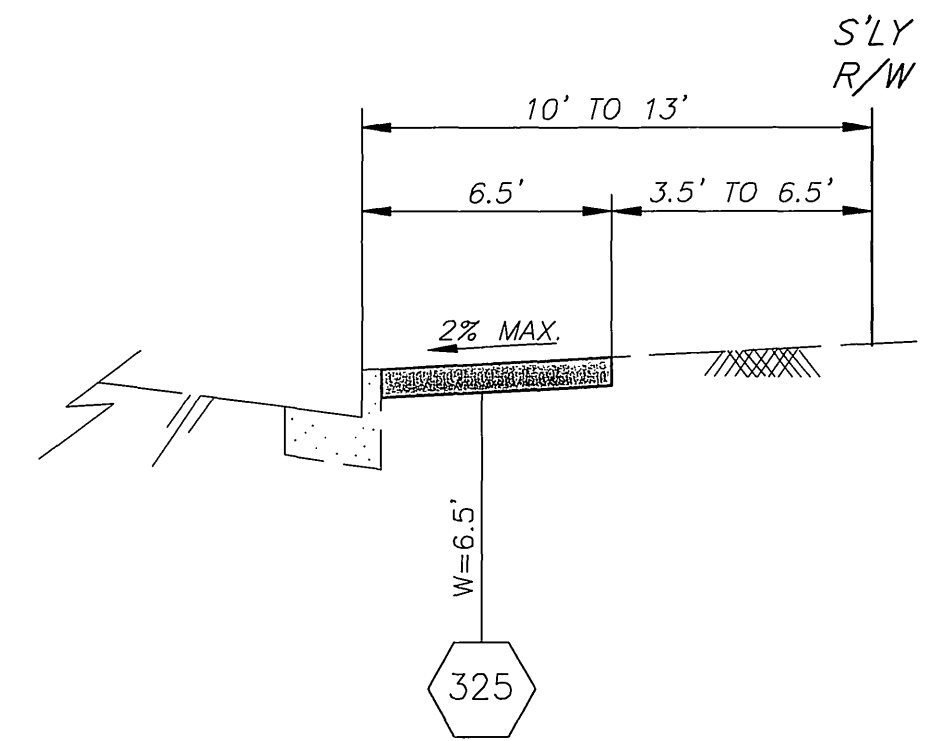


GENERAL CONSTRUCTION NOTES

- EXISTING UTILITIES, SHOWN ON THIS PLAN, ARE PLOTTED FROM UTILITY RECORDS. THE CONTRACTOR IS REQUIRED TO TAKE DUE PRECAUTIONARY MEASURES TO LOCATE.
- PRIME CONTRACTORS BIDDING THIS WORK SHALL HAVE A CLASS A OR C-12 LICENSE.
- MAIL BOXES, INTERFERING WITH PROPOSED SIDEWALK CONSTRUCTION, SHALL BE TEMPORARILY RELOCATED TO ENABLE PROPERTY OWNERS TO RECEIVE THEIR MAIL AND BE REINSTALLED IN FINAL POSITION BY THE CONTRACTOR.
- WATER METERS, GAS METERS AND ALL STREET PULL BOXES AFFECTED BY CONSTRUCTION, SHALL BE ADJUSTED TO THE PROPOSED SIDEWALK GRADE.
- EXISTING SPRINKLERS AND IRRIGATION LINES, AFFECTED BY THE CONSTRUCTION OF THE PROPOSED SIDEWALK, SHALL BE RELOCATED TO THE BACK OF THE SIDEWALK OR MODIFIED TO COVER EXISTING IRRIGATION AREAS.

SPECIFIC CONSTRUCTION NOTES

NUMBERS, ABOVE 100 IN A HEXAGON ON THE PLAN, REFER TO THE RESPECTIVE STANDARD DRAWING AND SHALL BE CONSTRUCTED ACCORDINGLY, UNLESS MODIFICATIONS ARE NOTED ON THE PLAN OR COVER SHEET. ANY NUMBER SHOWN BELOW THE STANDARD DRAWING NUMBER INDICATES THE SPECIFIC ALTERNATE TO BE CONSTRUCTED.



IMPORTANT NOTICE
 Section 4216/4217 of the Government Code requires a Dig Alert identification Number to be issued before a Permit to Excavate will be valid. For your Dig Alert ID Number call CALL TOLL FREE 48 HOURS BEFORE YOU DIG UNDERGROUND SERVICE ALERT 1-800-227-2600

ENGINEER IN RESPONSIBLE CHARGE
 MICHAEL KATUSIAN
 R.C.E. No. 36686 expires 6/30/2008
 DATE 9/10/07



MARK	REVISIONS	APPR.	DATE

CITY OF RIVERSIDE, CALIFORNIA PUBLIC WORKS DEPARTMENT			
APPROVED BY	BY	DATE	APPROVED BY
ENGINEERING MANAGER	[Signature]	9/10/07	CITY ENGINEER
PRINCIPAL ENGINEER	[Signature]	9/10/07	
CONTRACT ADMIN.	[Signature]	9/10/07	
SURVEYOR	[Signature]	9/10/07	
SHEET SERVICES	[Signature]	9/10/07	
TRAFFIC DIVISION	[Signature]	9/10/07	

NORWOOD AVE. SIDEWALK CONSTRUCTION
 (SOUTHERLY SIDE FROM LAS LINDAS WAY TO GOLDEN AVE.)
 HORIZ. SCALE: 1" = 20'

ACCT. NO.: 9593827152-
R-4053
 SHEET 1 OF 1
 FILE: COMMON/COMPLETE/R4053