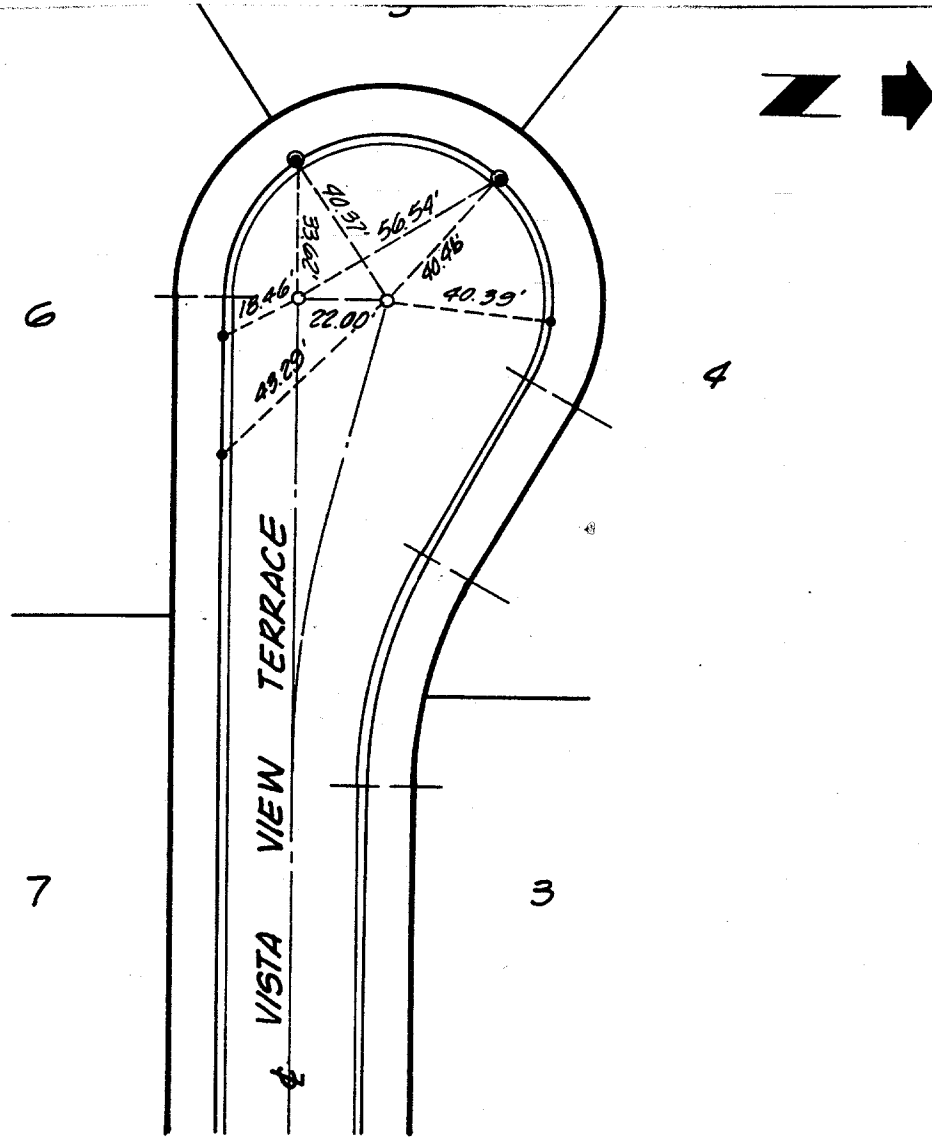


Street: VISTA VIEW TERRACE X-Street: _____
8262.71E OFFICIAL USE ONLY



- Set Nail in Curb.
- ⊙ Set Nail and Tag R.C.E. 16056 in Curb.
- Set 1 1/4" O.D. Iron Pipe, Tagged R.C.E. 16056, per Riv. Co. Std. "A" Flush.

TIES MADE DATE: SEPT. 22, 1989

W.O. 227.04 SHEET 4 OF 9 SHEETS

L A WAINSCOTT & ASSOCIATES

CITY OF RIVERSIDE

- ✕ FD. Ramset Nail on T/C
- FD. LD. & TK. on T/C
- FD. "C" Nail on T/C
- Set LD. & TK. on T/C

Scale: _____
 Date: _____
 Drawn by: _____
 W.O.: _____
 F.B.: _____

OFFICIAL TIE PLAT
 CITY OF RIVERSIDE

These ties are for the purpose of perpetuating the found monumentation. No claim is made as to the relationship of the points or lines shown hereon to true boundary locations.

TRACT 21399
 MB 167/7-10

Sheet 4 of 9
 File No.: _____