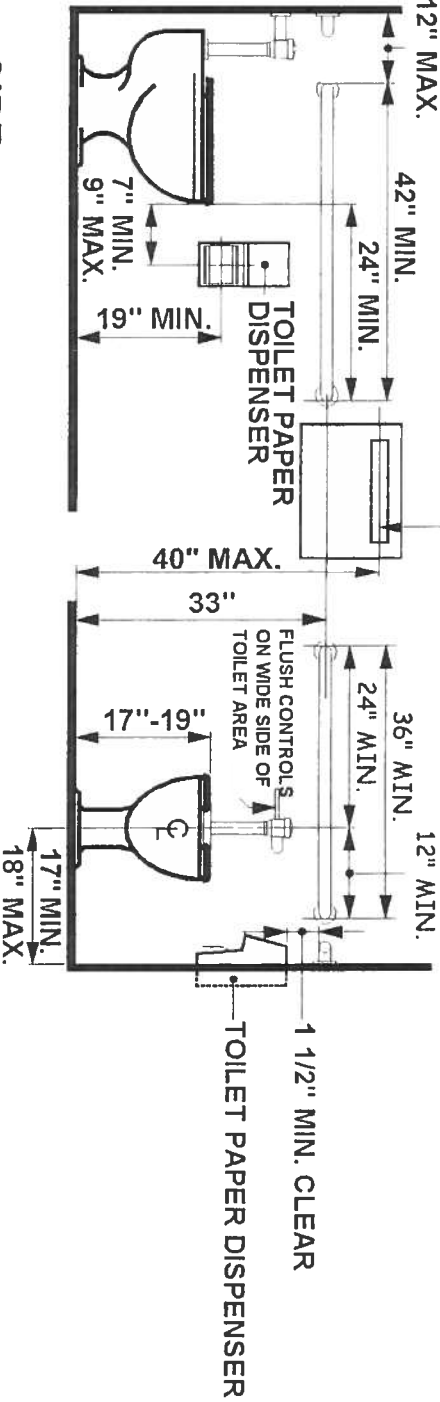


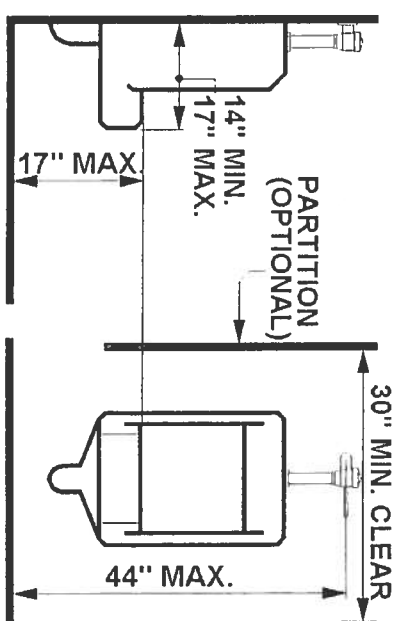
### TYPICAL MULTIPLE-ACCOMMODATION TOILET ROOM

FIGURE LAYOUTS MAY VARY

ALL TOWEL, SANITARY NAPKIN, WASTE RECEPTACLES, DISPENSERS AND CONTROLS

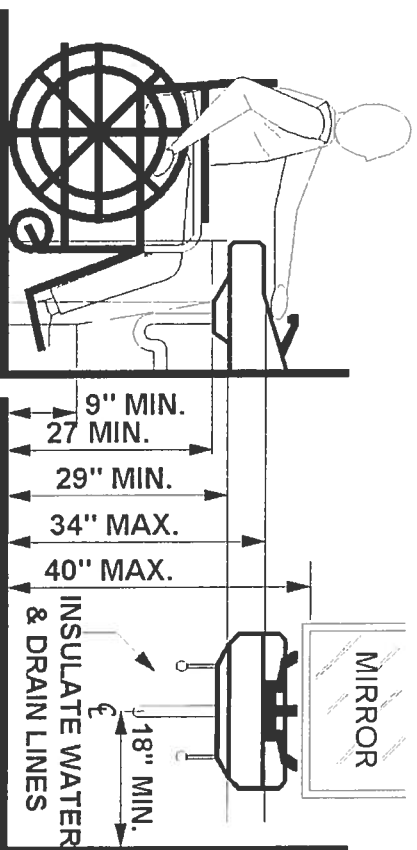


### ACCESSIBLE WATER CLOSET

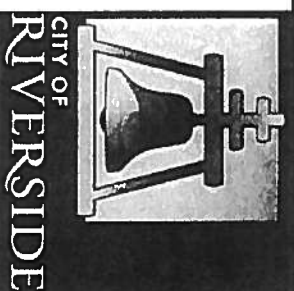


### ACCESSIBLE URINAL

SEE RDA-3.1 FOR ADDITIONAL MINIMUM MANEUVERING CLEARANCES WITHIN MULTIPLE-ACCOMMODATION TOILET ROOMS



### ACCESSIBLE LAVATORY



SCALE NONE

PGH 01/01/11  
 DRAWN DATE

REV DATE APPR  
 1 08/01/12 PGH  
 2 12/12/14 DID

MULTIPLE STALL ACCESSIBLE RESTROOM

RDA - 3.3

SHEET