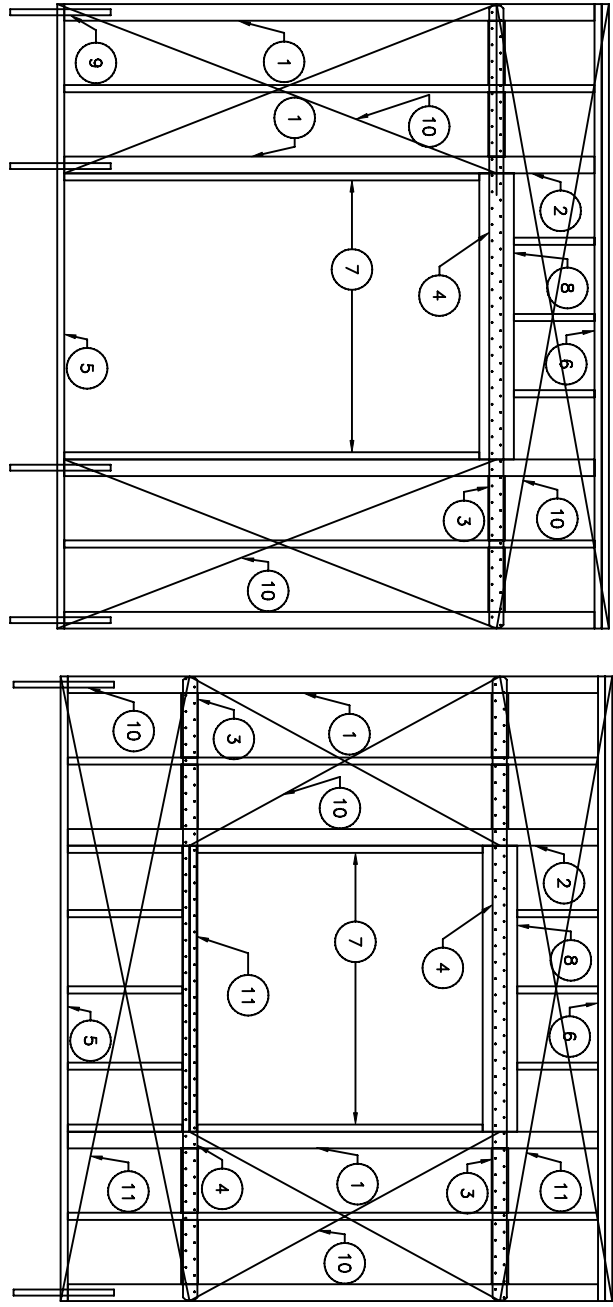
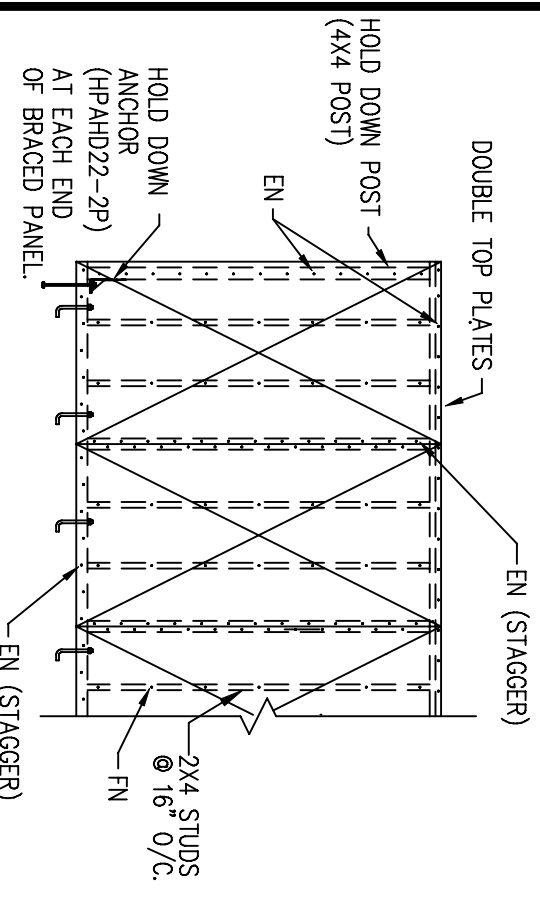


- 1 4X POST
- 2 4X FULL HEIGHT KING STUD W/ PLYWOOD EDGE NAILING
- 3 4X BLOCKING
- 4 "CMST14" FULL LENGTH STRAP PLACED OVER PLYWD. SHEATHING.
- 5 SILL PLATE
- 6 2- 2X TOP PLATES
- 7 2X TRIMMER STUD
- 8 HEADER/ PLAN
- 9 "STD14" U.N.O.
- 10 BRACED PANELS W/ EDGE NAILING PER DETAIL "B"
- 11 2- 2X SILL PLATE



**BRACED WALL PANEL AT DOOR AND WINDOW OPENINGS**

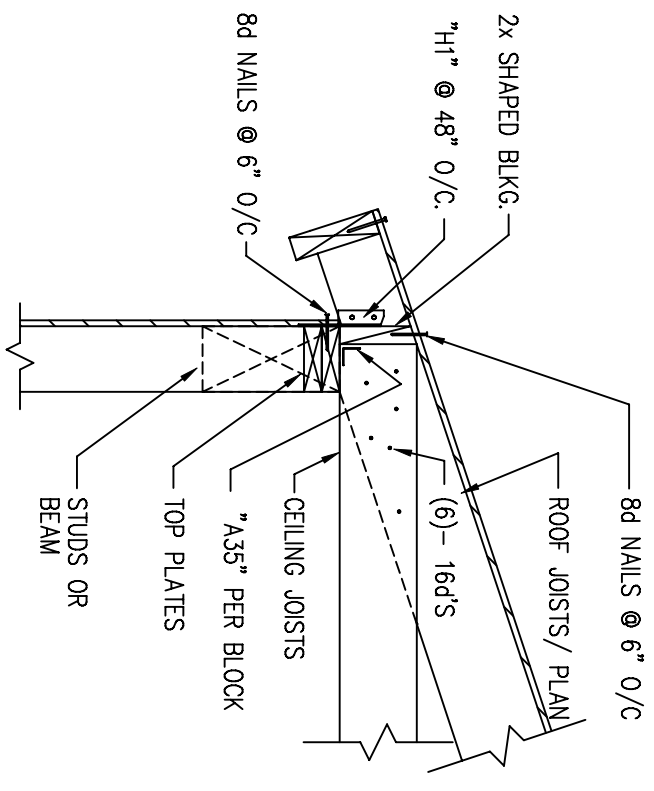
**A**



- NOTES:**
- 1) BRACED WALL PANEL SHALL BE 15/32" STRUCTURAL II PLYWOOD.
  - 2) MINIMUM PANEL DIMENSION IS 2'-0".
  - 3) USE FULL SIZE PANELS WHERE POSSIBLE (4'X8').
  - 4) FIELD NAILING (FN): 8d NAILS @ 12" O/C.
  - 5) EDGE NAILING (EN): 8d NAILS @ 6" O/C.
  - 5) USE 3X SOLID BLKG @ HORIZ JOINTS.

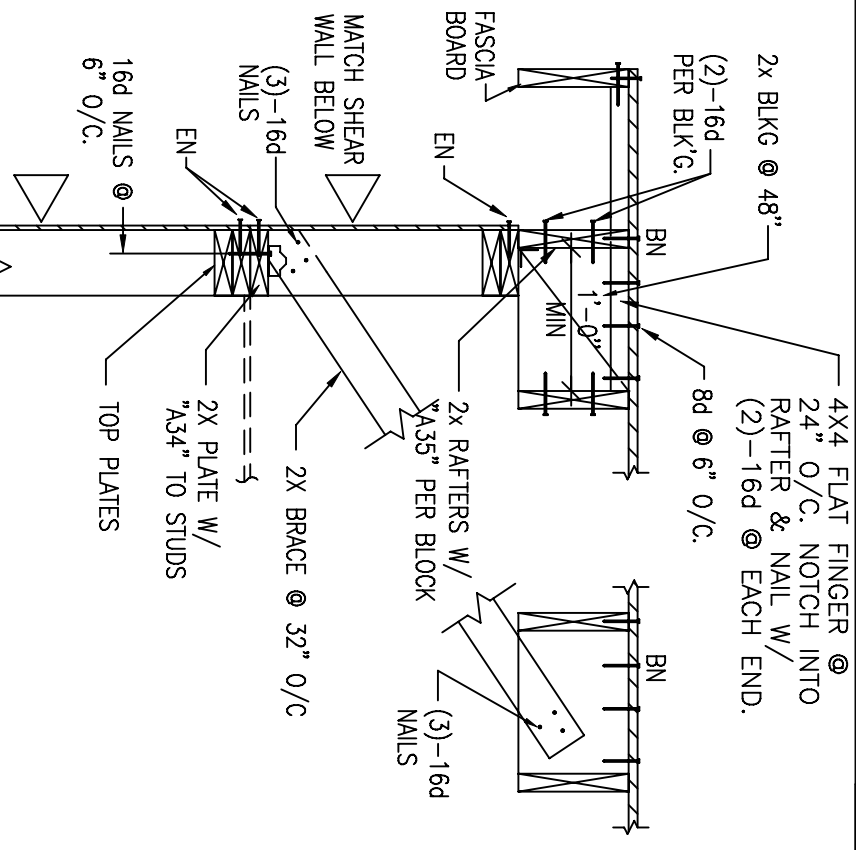
**TYPICAL BRACED WALL PANEL**

**B**



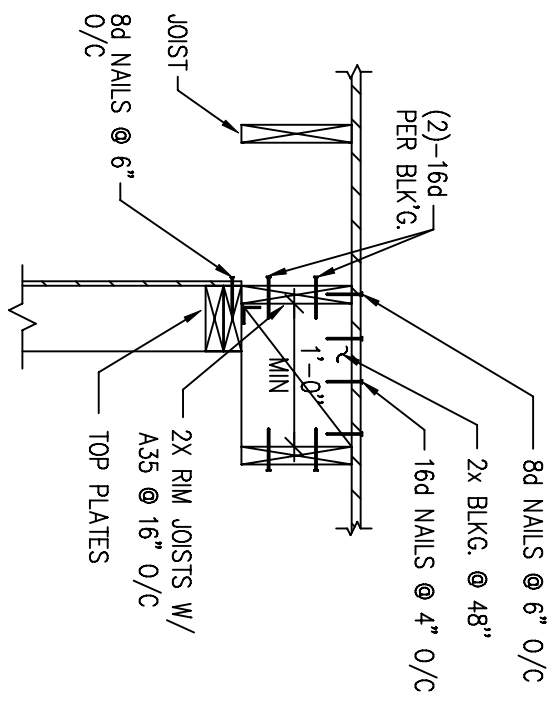
**CONNECTION AT EXTERIOR BRACED WALL (ROOF RAFTERS)**

**C**



**CONNECTION AT EXTERIOR OR INTERIOR BRACED WALL (GABLE END)**

**D**



**CONNECTION AT INTERIOR BRACED WALL (BALLOON FRAMED WALLS)**

**E**



**CITY OF RIVERSIDE  
BUILDING & SAFETY DIVISION  
STANDRAD STRUCTURAL  
DETAILS**

SCALE NONE

BK DRAWN 06/2002 DATE

REV.	DATE	APPR.
1	5/2008	BK
2	01/2011	BK
3		
4		
5		

**BRACED WALL PANELS**

RSD-2.0 SHEET