

RECEIVED
MAR 3 1951

1
2
3
4
5
6
7
8
9
10
11
12
13
14
15
16
17
18
19
20
21
22
23
24
25
26
27
28
29
30
31
32

RESOLUTION NO. 8836 DEPT OF PUBLIC WORKS

A RESOLUTION OF THE CITY COUNCIL OF THE CITY OF RIVERSIDE, CALIFORNIA, MAKING ITS ORDER VACATING A RIGHT OF WAY EASEMENT FOR PUBLIC UTILITY PURPOSES IN VICTORIA GROVES, UNIT NO. 6.

WHEREAS, it appears that the City of Riverside has an easement and right of way for public utility purposes over portions of Lots 192 and 207 in Victoria Groves, Unit No. 6, along the course hereinafter described; and,

WHEREAS, it appears that said easement and right of way is no longer necessary for present or prospective public use;

NOW, THEREFORE, IT IS ORDERED by the City Council of the City of Riverside, California, that said easement and right of way for public utility purposes be and the same is hereby vacated. That said easement is situate in the City of Riverside, County of Riverside, State of California, and described as follows:

That certain public utility easement, 10 feet in width, lying five (5) feet on either side of the common line between Lot 192 and Lot 207, as shown on map of Victoria Groves, Unit No. 6, on file in Map Book 37 at page 37 thereof, Riverside County Records;

EXCEPTING therefrom that portion within the 5-foot public utility easement adjacent to the southerly line of said Lot 207 and the southwesterly line of said Lot 192, as shown on said map;

ALSO EXCEPTING therefrom that portion within the 5-foot public utility easement adjacent to the easterly line of said Lot 207, as shown on said map;

ALSO EXCEPTING therefrom that portion lying easterly of a line parallel with and distant five (5) feet westerly, measured at right angles to the following described line: Beginning at the northwesterly corner of said Lot 192; thence in a direct line South 13° 33' 30" East to the most southerly corner of said Lot 192, as shown on said map.

IT IS FURTHER ORDERED that the City Clerk of said City of Riverside cause a certified copy of this resolution and order, attested by the City Clerk under the seal of said City, to be

BY ATTORNEY
RIVERSIDE
CALIFORNIA

1 recorded in the office of the County Recorder of Riverside County,
2 California.

3
4 ADOPTED by the City Council and signed by the Mayor and
5 attested by the City Clerk this 1st day of March
6 1960.

7
8 E. V. DALES

9 Mayor of the City of Riverside

10 ATTEST:

11 VIRGINIA J. STROHECKER (SEAL)

12 City Clerk of the City of Riverside

13 I, Virginia J. Strohecker, City Clerk of the City of
14 Riverside, California, hereby certify that the foregoing
15 resolution was duly and regularly introduced and adopted by
16 the City Council of said City at its meeting held on the 1st
17 day of March, 1960, by the following vote, to wit:

18 Ayes: Councilmen Backstrand, Bergin, Bonnett, Sansone and Voris.

19
20 Noes: None.

21 Absent: Councilmen Johnson and O'Neill.

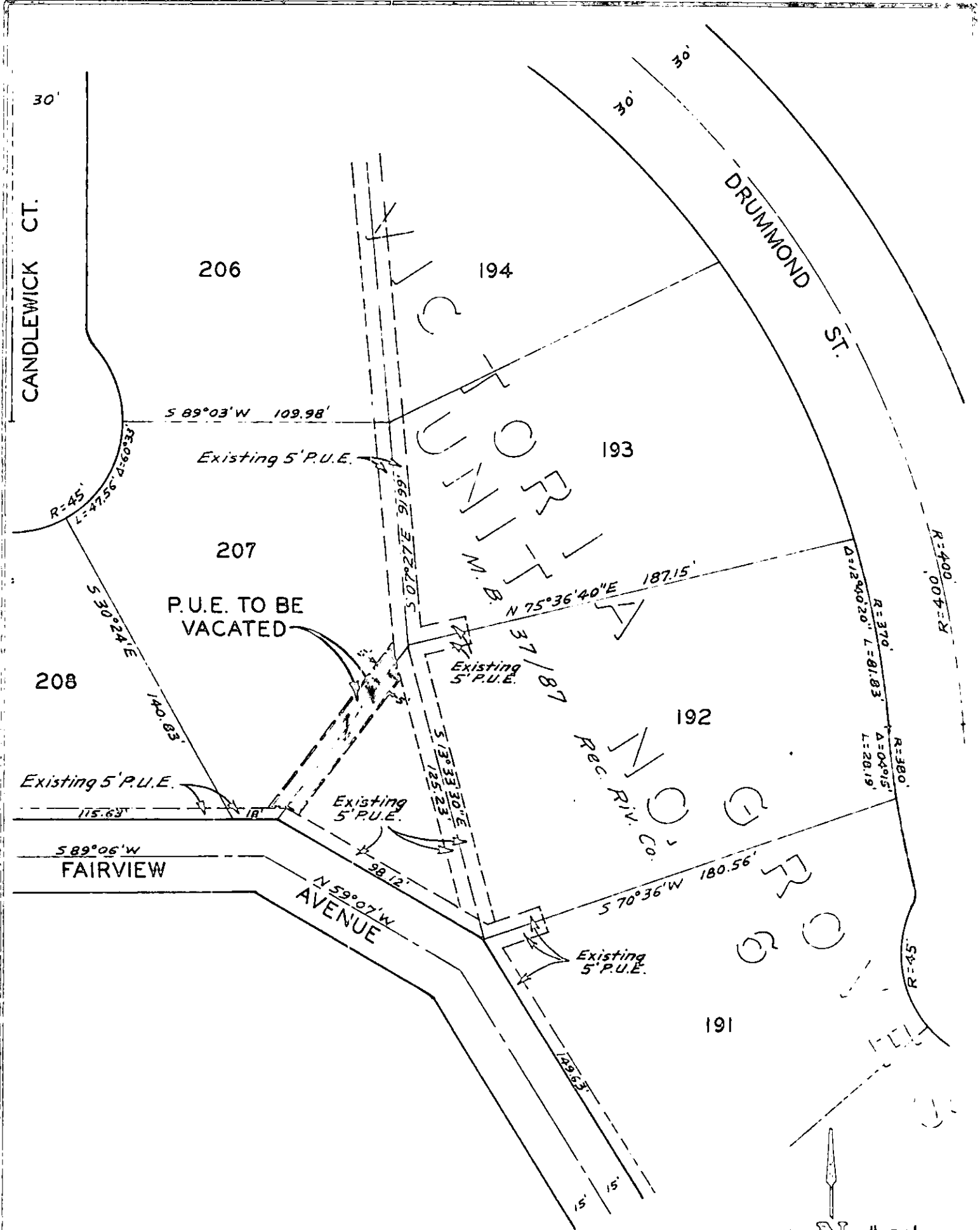
22 IN WITNESS WHEREOF, I have hereunto set my hand and affixed
23 the official seal of the City of Riverside, California, this
24 1st day of March, 1960.


25
26 (SEAL)

VIRGINIA J. STROHECKER

27 City Clerk of the City of Riverside

28 *Recorded March 7, 1960*
29 *Book 2650 page 98*
30
31
32



SCALE: N 1"=50'


PLAT
 PUBLIC UTILITY EASEMENT
 TO BE VACATED