

THIRD ST. WIDENING
APPROVED AS TO FORM

After recording please mail to:

City Clerk's Office
City Hall - 3711 Orange Street
Riverside, California

Third St. Widening - Market St. to Vine St.
Parcel #28

6917

101653

DOCUMENTARY TRANSFER TAX

GRANT DEED

\$ _____ None

Signature [Signature]
CITY OF RIVERSIDE

APPROVED AS TO FORM
[Signature]
DEPUTY CITY ATTORNEY

RICHARD W. McFALLS and HANNELIES S. McFALLS, husband and wife,

Grantors

FOR A VALUABLE CONSIDERATION, receipt of which is hereby acknowledged,
do hereby grant to the CITY OF RIVERSIDE, a municipal corporation, the
real property in the City of Riverside, County of Riverside, State of
California, described as follows: --

That portion of Block 2, Range 5 of the Town of Riverside as shown
by map on file in Book 7, Page 17 of Maps, records of San Bernardino
County, California, described as follows:

BEGINNING at the most westerly corner of said Block;

Thence North 29° 05' 55" East, along the northwesterly line of
said Block, a distance of 9.02 feet to the beginning of a non-tangent curve
concave northeasterly and having a radius of 20.50 feet; the initial
radial line to said curve bears South 72° 10' 04" West;

Thence southeasterly along said curve, through a central angle of
43° 02' 04", an arc distance of 15.40 feet to a line parallel with and
3.50 feet northeasterly of, as measured at right angles to, the south-
westerly line of said Block,

Thence South 60° 52' 00" East, along said parallel line, 143.52
feet;

Thence South 29° 06' 30" West, 3.50 feet to the southwesterly line
of said Block;

Thence North 60° 52' 00" West, along said southwesterly line,
157.50 feet to the POINT OF BEGINNING.

Containing 575 square feet or .013 Acres

DESCRIPTION APPROVAL
[Signature] 10/7/68 by [Signature]
Surveyor

Dated SEPT. 30, 1969

WITNESS: [Signature]

[Signature]
RICHARD W. MCFALLS
[Signature]
HANNELIES S. MCFALLS

CL 304-418 (6/66)

[Handwritten]

[Handwritten]

6917

101653

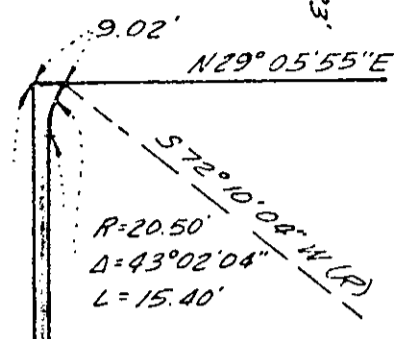
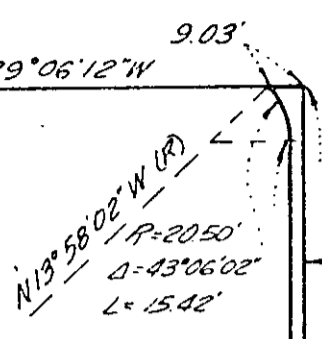
ORANGE ST.

ST.

TOWN

BLK. 3

RAN. 5

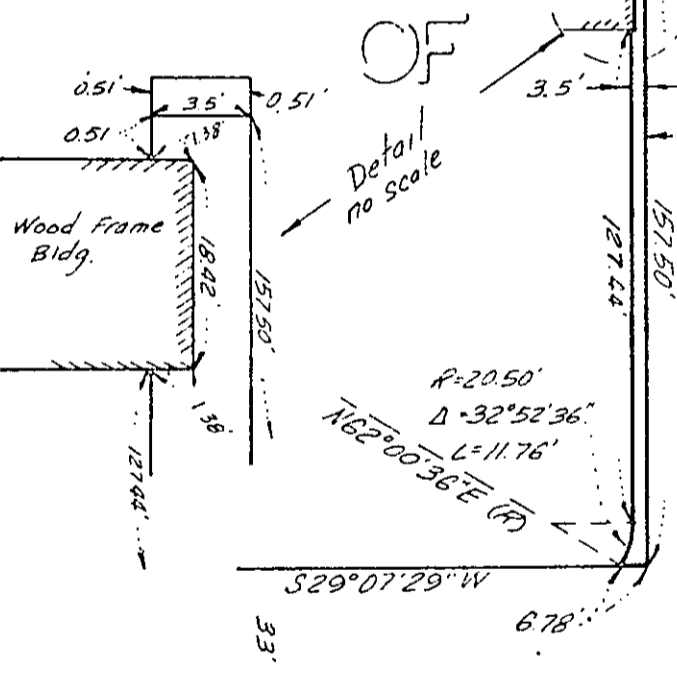


THIRD ST.

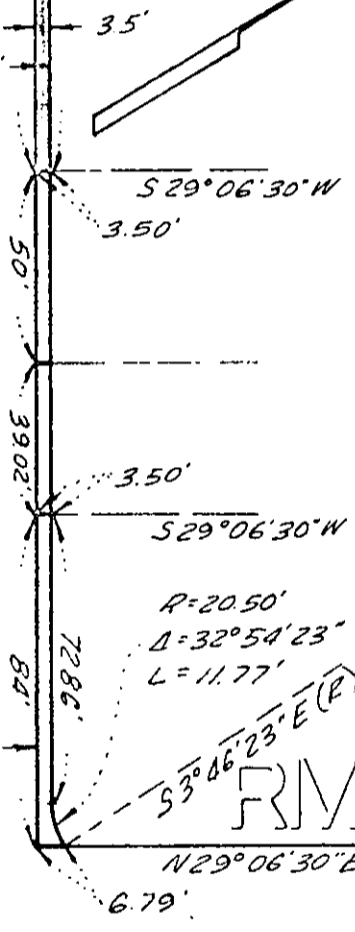
Parcel conveyed to City of Riv 7/7/02, BL. 147, Pg. 57 Deeds

BLK. 2

RAN. 5



ST.



RIVERSIDE M.B. 7/17 S.B. Co.

LEMON ST.

ST.

CITY OF RIVERSIDE, CALIFORNIA

PLAT OF PARCEL(S) DESCRIBED IN THE ATTACHED DOCUMENT

This plat is solely an aid in locating the parcel(s) described in the attached document. It is not a part of the written description therein.

SHEET

SCALE: 1" = 50'

DRAWN 9/16/68 BY H.B.

SUBJECT Third St Widening

OF SHEETS

101653

6917

Microfilm recording from 4-1-65. Book and page no longer assigned. Identify by document number and year of filing.

RECEIVED FOR RECORD

OCT 3 1969

45 Min. Past 2 o'clock PM AT

At Request of

CITY OF RIVERSIDE

Recorded in Official Records of Riverside County, California

Wm. D. Dwyer

Recorder

FEE \$ *Three*

INDEXED

Wm