



**ENCROACHMENT PERMIT** 6/10  
**General Permit**  
 City of Riverside - Public Works Dept.  
 909-826-5341

Issuance of this permit shall not be construed as a waiver of any other applicable permit or requirement, and is only revocable permission to use the land for the purpose described.

**Owner:** STATE OF CALIFORNIA, D.O.T.  
**Location:** LINDEN ST. & 215 FREEWAY  
**A.P.N.:**

**Encroachment:** Install Retaining Wall Slope Nailing In Linden Street R/W

The above-described encroachment being shown on Exhibit A attached hereto.

Upon issuance of this permit, I agree to comply with the attached terms and conditions.

Date: 7/14/04

By: [Signature] Joe Lopez

Date: \_\_\_\_\_

By: \_\_\_\_\_

**Applicant**  
 STATE OF CALIFORNIA  
 DEPT OF TRANSPORTATION  
 DISTRICT 8  
 SAN BERNARDINO, CA.

**Contractor/Developer**  
 WASHINGTON GROUP INTERNATIONAL

ENCROACHMENT PERMIT APPROVAL

This permit has been reviewed and approved by the Departments listed below, provided the attached terms and conditions are adhered to:

- P/W ENGINEERING
- P/W TRAFFIC
- P/U WATER
- P/U ELECTRIC
- PLANNING

FINAL APPROVAL

Date: 6/17/04

[Signature]  
 Public Works Director

THIS PERMIT IS NOT VALID UNTIL ISSUED AND POSTED IN CITY RECORDS

Issued By: Debra Isles

Dated: 7/15/04

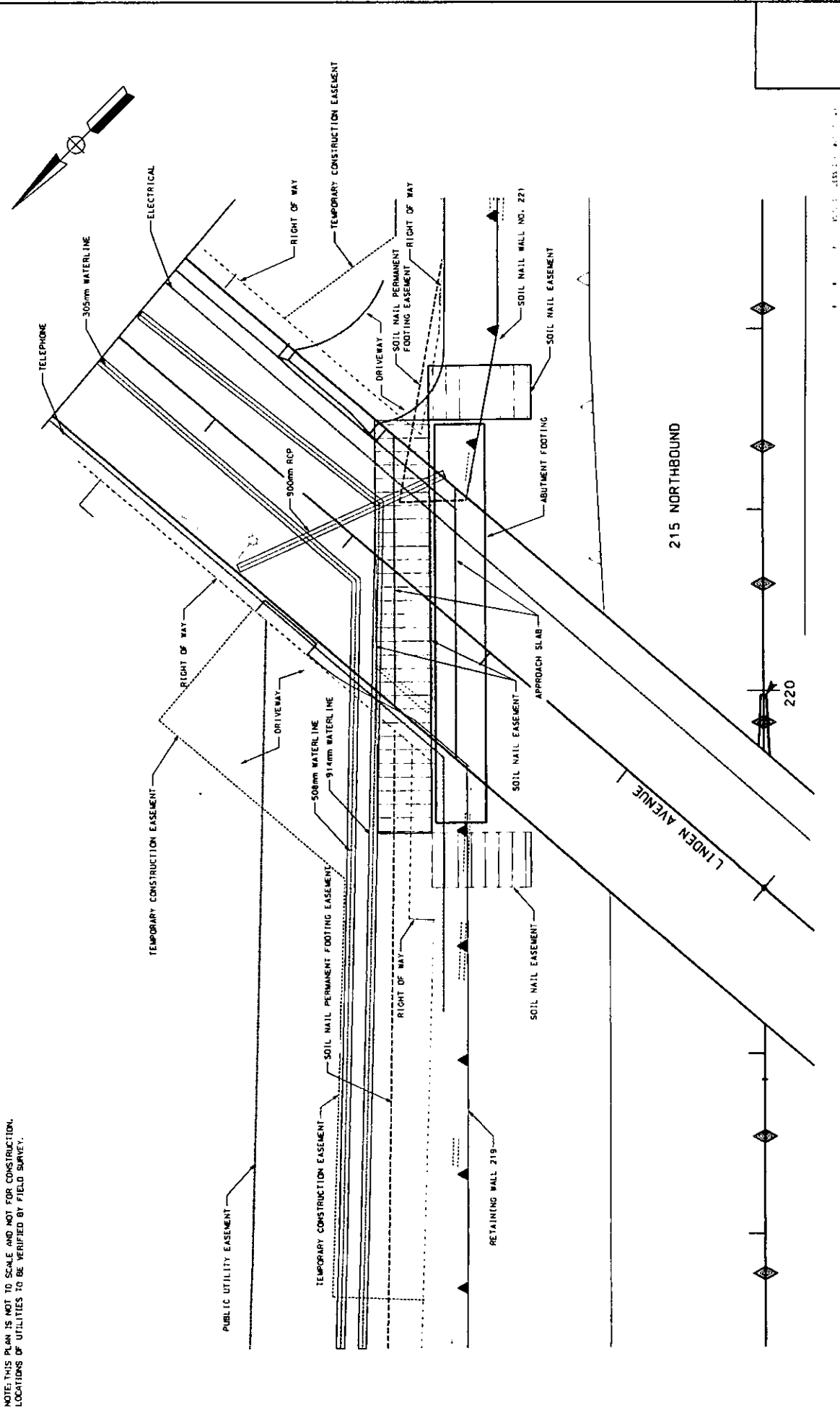


# City of Riverside

The following are requirements that need to be met for your permit #PW04-0486 .

- 1: Permittee acknowledges that the area of encroachment is owned or controlled by the City of Riverside.
- 2: Permittee acknowledges that the described property could be needed for a proposed or planned public improvement and the City may revoke this permit. Upon written notice of revocation, the permittee shall, within the time prescribed by the City, remove all improvements placed, constructed or maintained. If the permittee fails to abide by the removal order of the City, the City shall have the right to remove and destroy the improvements without reimbursement to the permittee. The cost of such removal shall be paid by the permittee to the City and shall constitute a debt owed to the City.
- 3: Permittee waives the right of claim, loss, damage or action against the City resulting from revocation, termination, removal of improvements or any action of the City, its officers, agents or employees taken in accordance with the terms herein.
- 4: If the Public Works Director of the City of Riverside finds that the permittee is in default of the terms of this permit, that shall be cause for revocation.
- 5: Permittee herewith agrees to hold the City of Riverside harmless from and against all claims demands, costs, losses, damages, injuries, actions for damages and/or injuries, and liability in connection with the construction, encroachment, and/or maintenance to be done by permittee within the described property.
- 6: Prior to any construction taking place on City controlled property, permittee shall obtain a Construction Permit or Street Opening Permit from the City Public Works Department.
- 7: The permittee agrees to insure that construction of their improvements will not interfere in any way with any existing City or utility facilities.
- 8: Permittee acknowledges that existing city or utility facilities will require future maintenance, reconstruction, and revisions and that facilities may be added, any of which may result in removal or alteration of the permittee's improvements without reimbursement to the permittee.
- 9: Prior to construction, permittee shall contact Underground Service Alert to field locate existing utility lines. Any conflicts discovered will void the permit until acceptable revisions are made. It shall be Permittee's responsibility to determine the location and required clearances from all public and private utility, sewer and drainage facilities prior to drilling and shall only drill in compliance with such clearance requirements.

NOTE: THIS PLAN IS NOT TO SCALE AND NOT FOR CONSTRUCTION. LOCATIONS OF UTILITIES TO BE VERIFIED BY FIELD SURVEY.



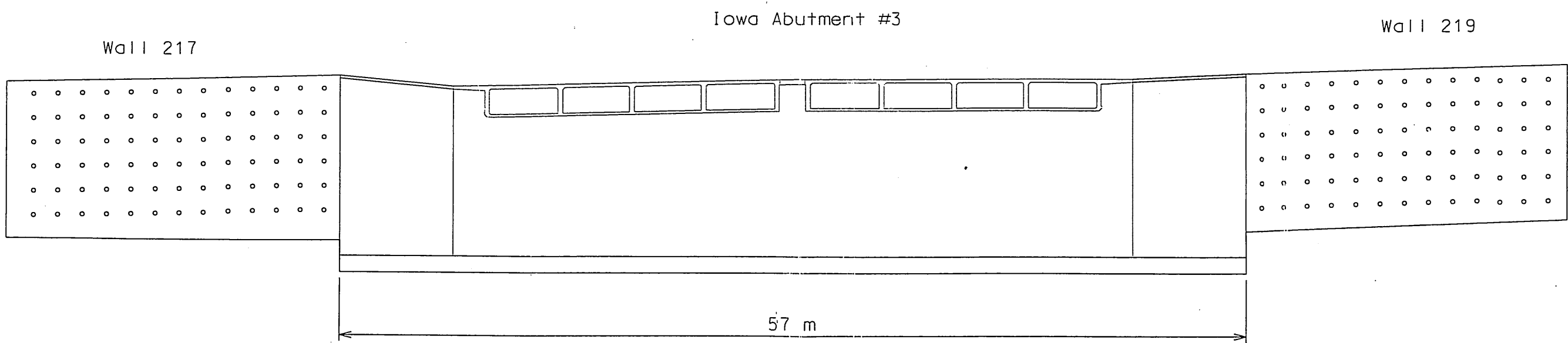
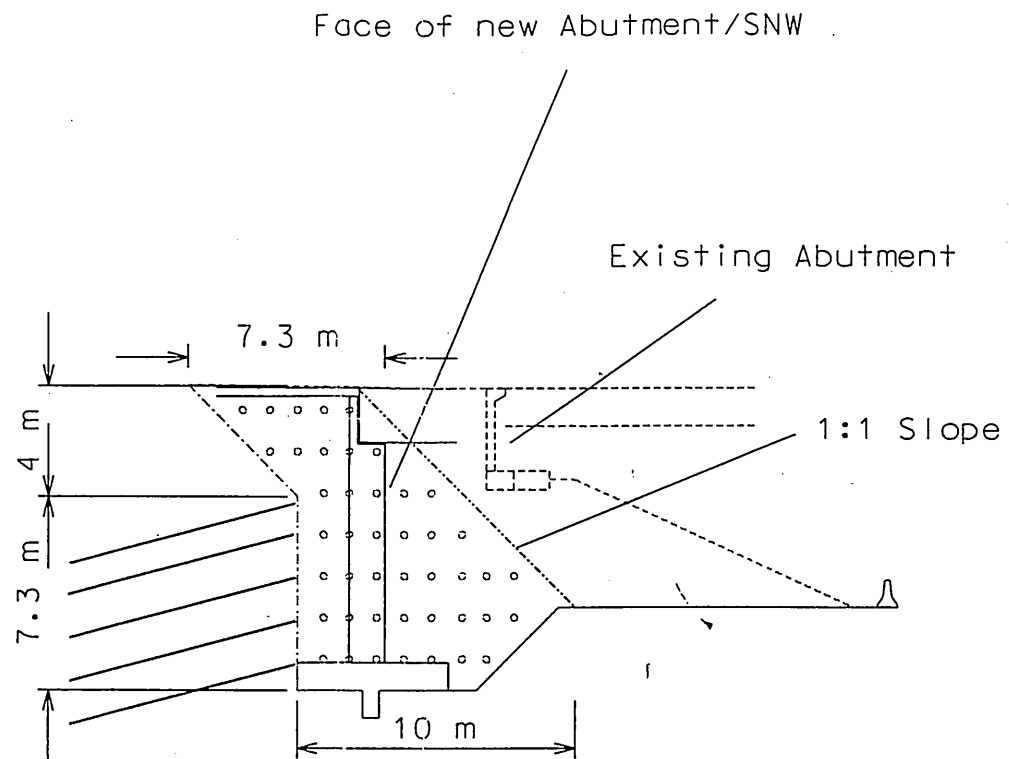
NO.	DATE	BY	CHKD.	APP'D.
1				
2				
3				
4				
5				
6				
7				
8				
9				
10				
11				
12				
13				
14				
15				
16				
17				
18				
19				
20				
21				
22				
23				
24				
25				
26				
27				
28				
29				
30				
31				
32				
33				
34				
35				
36				
37				
38				
39				
40				
41				
42				
43				
44				
45				
46				
47				
48				
49				
50				
51				
52				
53				
54				
55				
56				
57				
58				
59				
60				
61				
62				
63				
64				
65				
66				
67				
68				
69				
70				
71				
72				
73				
74				
75				
76				
77				
78				
79				
80				
81				
82				
83				
84				
85				
86				
87				
88				
89				
90				
91				
92				
93				
94				
95				
96				
97				
98				
99				
100				

**Washington Group International - Obayashi**  
 Incorporated Engineering, Construction, and Management Consultants  
 A Joint Venture

**RIVERSIDE**  
**215/80/94 INTERCHANGE**  
 PROJECT NO. 27045 CONTRACT NO. 03-334244

**LINDEN AVENUE OVERCROSSING**  
**ABUTMENT 3 - SOIL NAIL PLAN**

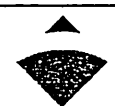
RS-68-12



5			DESIGN
4			DRAWN
3			SCALE
2			CHECKED
1			DATE
Rev. no.	date	description	APPROVED



WASHINGTON GROUP INTERNATIONAL - OBAYASHI  
 INTEGRATED ENGINEERING, CONSTRUCTION, AND MANAGEMENT SOLUTIONS A JOINT VENTURE  
 27400 E 5th Street - Highland, CA 92346 - (909) 425-1200



Riverside  
 60/91/215 Interchange  
 PROJECT NO. CONTRACT NO.

Iowa Abutment #3