

ENCROACHMENT PERMIT

Pursuant to Resolution No. 11065 of the City of Riverside, permission is hereby granted to L.L. Bacon Enterprises Inc.
P.O. Box 866
Riverside, CA 92502

its heirs and assigns, hereinafter referred to as "Permittee" to use and occupy the following described property.

That portion of public street right of way of Magnolia Avenue adjoining Lot 4 and Lot 5 inclusive, of Magnolia Center Tract No. 2 as shown by map on file in Book 23, Pages 11 and 12, inclusive, of Maps, as shown on the attached Exhibit "A",

in accordance with the terms hereof.

1. Permittee shall use and occupy the described property only in the manner and for the purposes as follows: construction and maintenance of a proposed grease interceptor encroaching into said public street right of way a maximum of 14 feet as shown on the attached Exhibit "A".

- 1a. Prior to construction, Permittee shall contact all utility companies with facilities in the permit area to determine if the proposed encroachment will conflict with any existing or proposed facilities.
- 1b. Prior to construction, Permittee shall obtain a street opening permit from the Public Works Department.
- 1c. Permittee or current lessee of the adjoining property shall be responsible for maintaining the proposed grease interceptor and shall keep the public sidewalk above and around said facility clean and grease-free.

2. Permittee, by acceptance of the benefits hereunder, acknowledges title to the property to be in the City of Riverside and waives any right to contest the validity of the dedication or grant.

3. Permittee acknowledges that the described property is the site of a proposed or planned public improvement and that, accordingly, all rights and privileges of use permitted shall cease and expire upon notice of revocation by the City. Upon the expiration or revocation, Permittee shall, within the time prescribed by the City, remove all improvements or obstructions placed, constructed or maintained by the Permittee. If the Permittee fails to abide by the removal order of the City within the time prescribed, the City shall have the right to remove and destroy the improvements without reimbursement to the Permittee and the cost of such removal shall be paid by the Permittee to the City of Riverside and shall constitute a debt owed to the City of Riverside.

4. Permittee, by acceptance hereof, waives the right of claim, loss, damage or action against the City of Riverside arising out of or resulting from revocation, termination, removal of the improvements or any action of the City of Riverside, its officers, agents or employees taken in accordance with the terms hereof.

5. Finding and determination by the City Council of the City of Riverside that the Permittee, or his heirs and assigns or successors in interest, are in default of the terms hereunder shall be cause for revocation.

6. Permittee herewith agrees to hold the City of Riverside harmless from and against all claims, demands, costs, losses, damages, injuries, action for damages and/or injuries, and liability growing or arising out of or in connection with the construction, encroachment, and/or maintenance to be done by Permittee or his agents, employees or contractors within the described property.

DATED: AUG. 13 1990

CITY OF RIVERSIDE, a municipal corporation

By Terry Frazier Mayor

Attest Alice A. Hale City Clerk

The foregoing is accepted by:

Howard O. Connelly
(Signature(s) of Permittee)

APPROVED AS TO CONTENT

Barry Bell
Department Head - Public Works

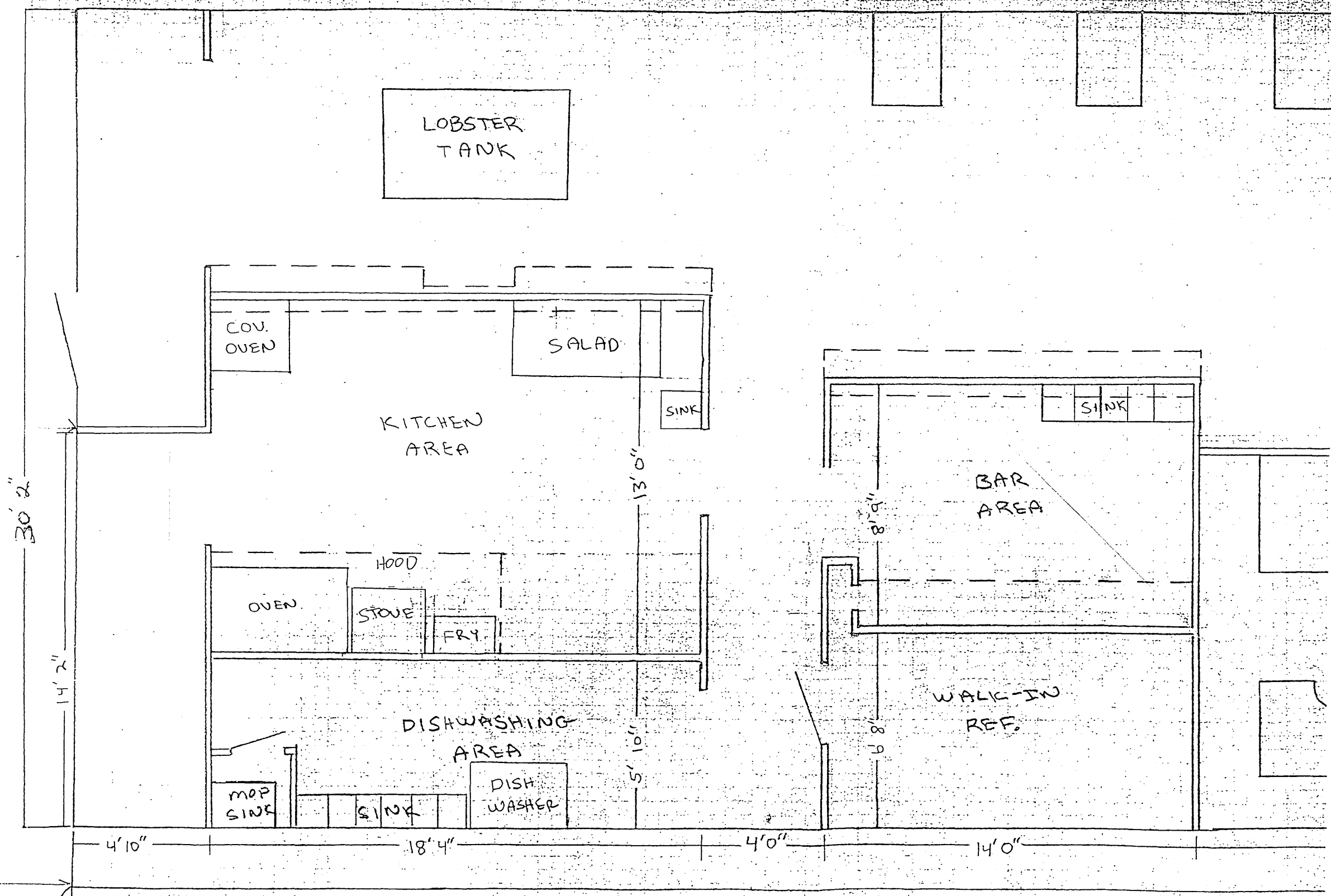
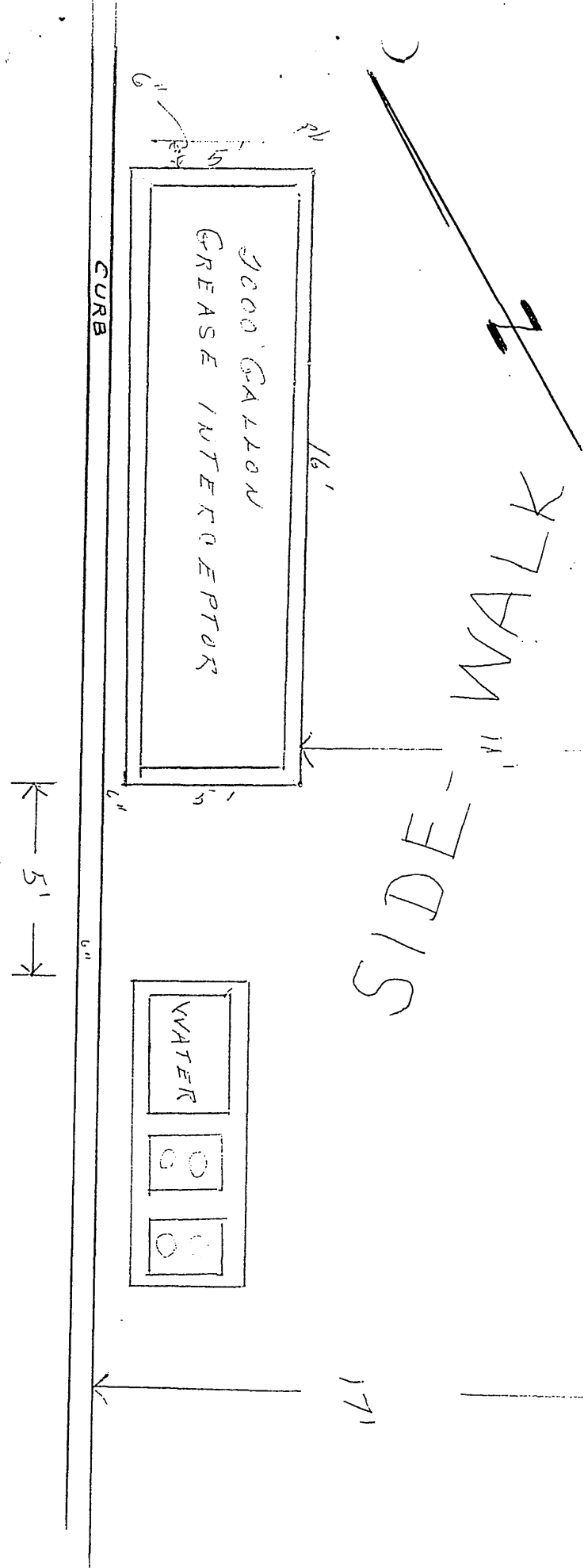
Dieter P. Witzfeld
Department Head - Public Utilities

APPROVED AS TO FORM

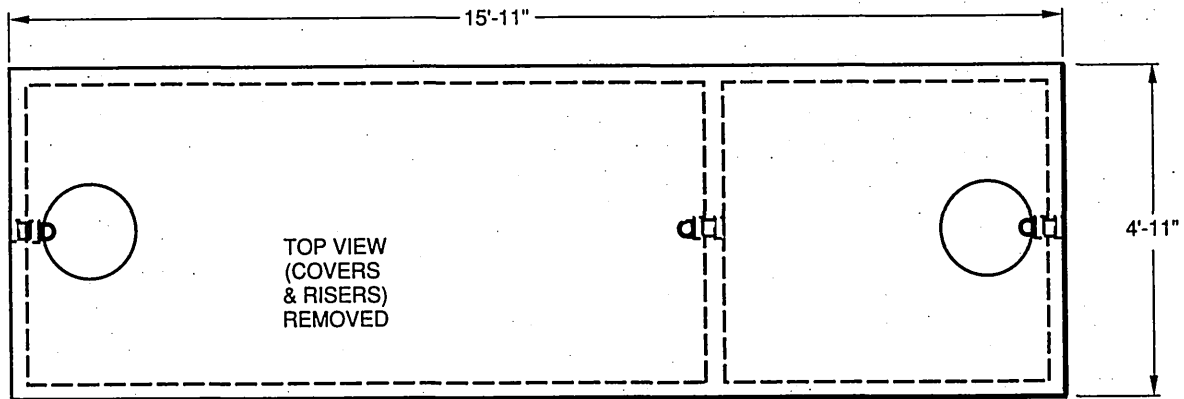
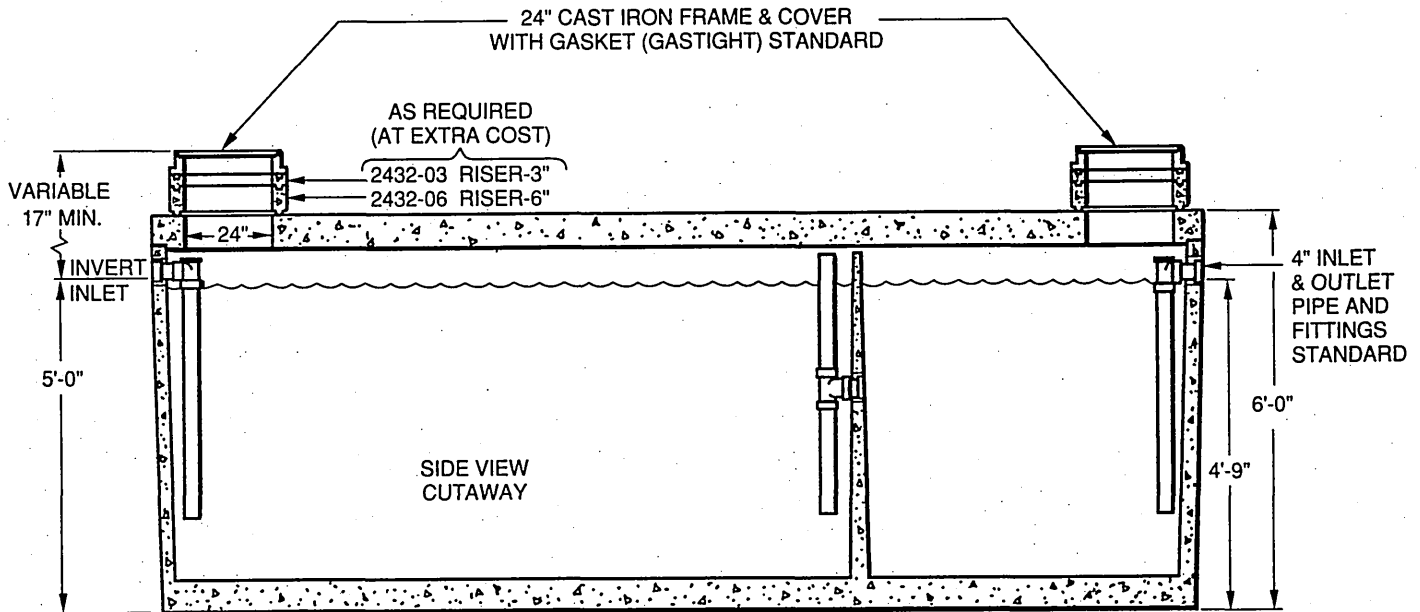
John Woodhead
City Attorney

CITY MANAGER APPROVAL

Robert E. Leonard
City Manager



2000 GALLON GREASE INTERCEPTOR MODEL 2000EE



LIQUID CAPACITY: 2000 GALLONS
 BOX DESIGN LOAD: H-20 TRAFFIC UP TO 6' COVER. FOR COMPLETE
 DESIGN INFORMATION, CONSULT JENSEN PRECAST.

10/89