

PLANS, PROFILES AND DETAILS  
OF  
**IMPROVEMENTS**  
TO BE MADE IN  
**BEACON HEIGHTS IMPR. DISTRICT**  
IN THE  
CITY OF RIVERSIDE CALIFORNIA  
DAVIDSON & FULMOR, Engineers  
November 1927  
A. CAMPBELL, CITY ENGINEER 1927

LEGEND  
Pavement to be constructed shown this  
Electrical Conduits to be placed shown this  
Catch Basins to be constructed shown this  
Storm Drain to be constructed shown this  
Sewer Line to be constructed shown this  
Sewer Manhole to be constructed shown this  
Catch Basins and other to be constructed shown this  
2" Water Pipe Line to be constructed shown this  
Rock Wall to be constructed shown this  
Improvement District Boundary shown this

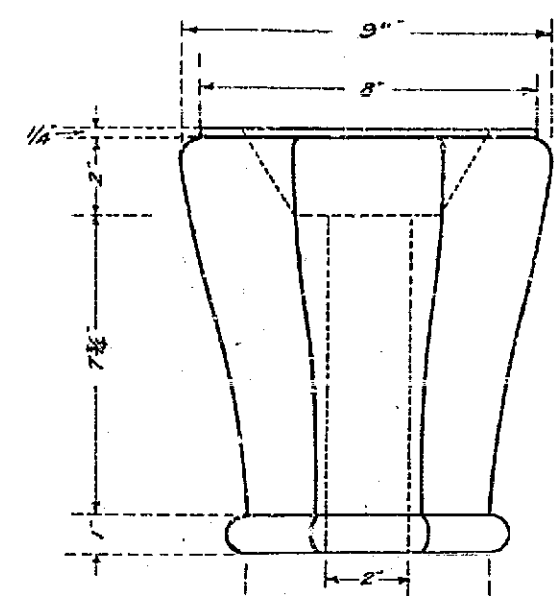
Approved by the Mayor and Council of the  
City of Riverside December 1927  
Mayor J. J. [Signature]  
City of Riverside

Approved H. C. [Signature]  
Acting Superintendent Electrical Light Dept.  
Approved [Signature]  
Superintendent Water Dept.

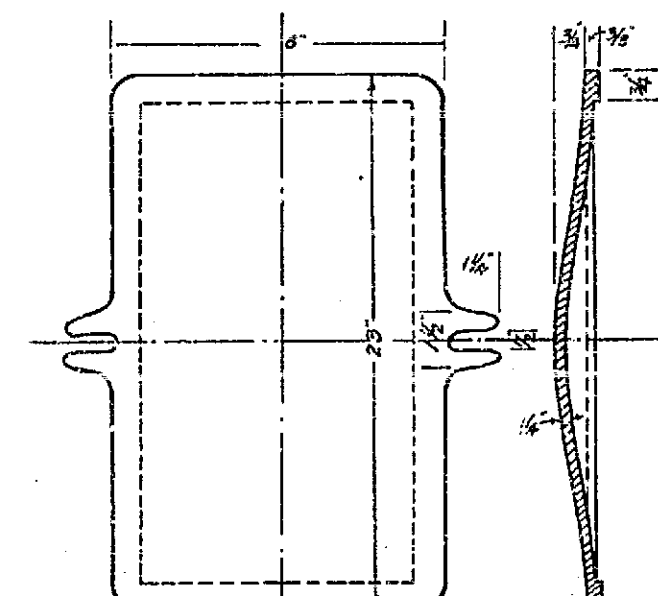
1006

SHEET #1 OF 25 SHEETS

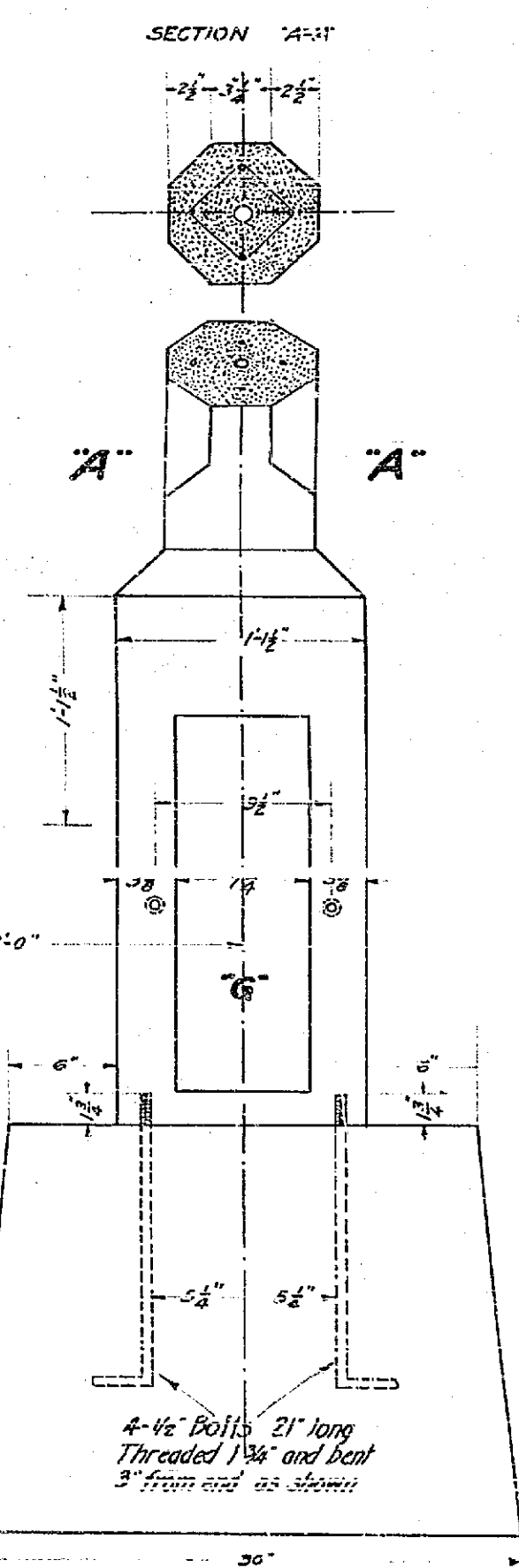
REINFORCED CONCRETE ELECTRIC LIGHT POLE  
ELEVATIONS AND DETAILS



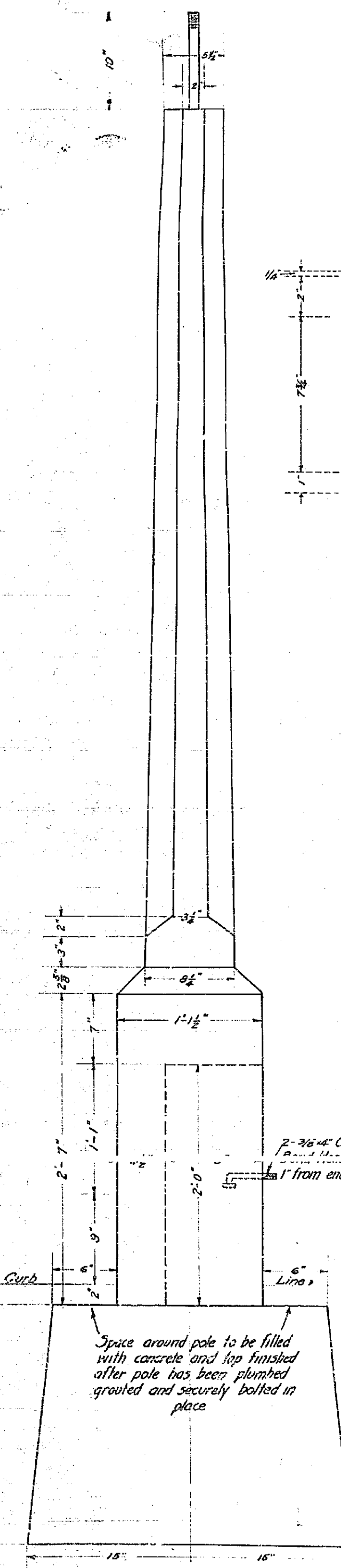
Cap for Top of pole  
Scale 3"-1"



Cast iron door to be used at "G"  
Scale 3"-1"

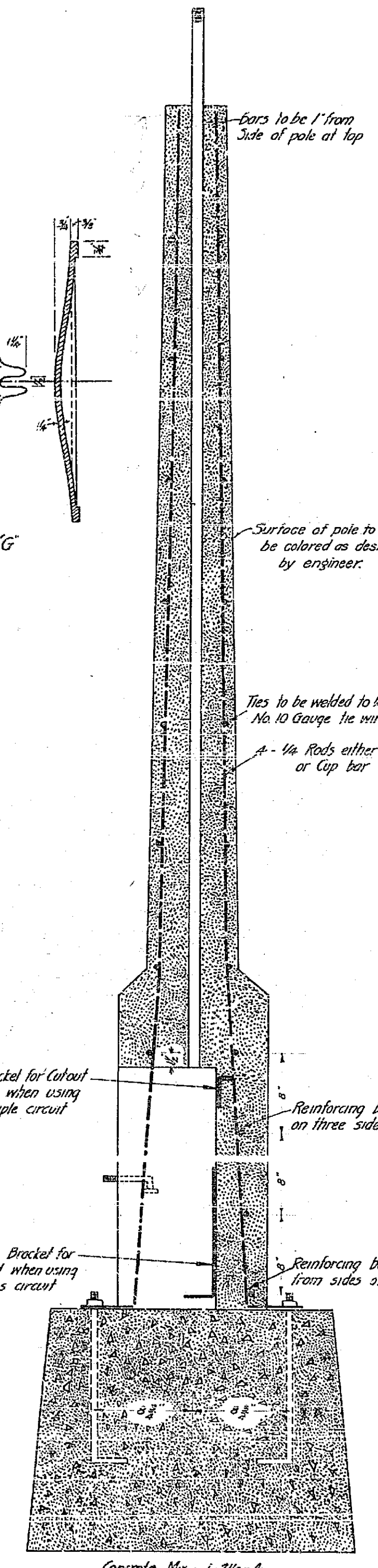


SECTION "A-A"

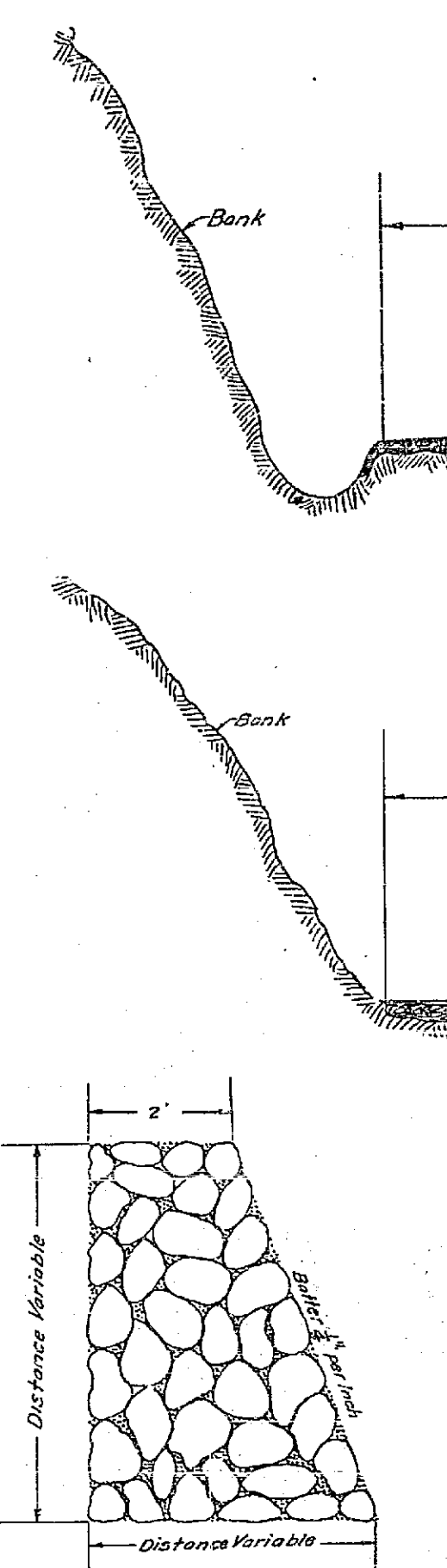


2-3/8" Carriage Bolts  
1" from end as indicated

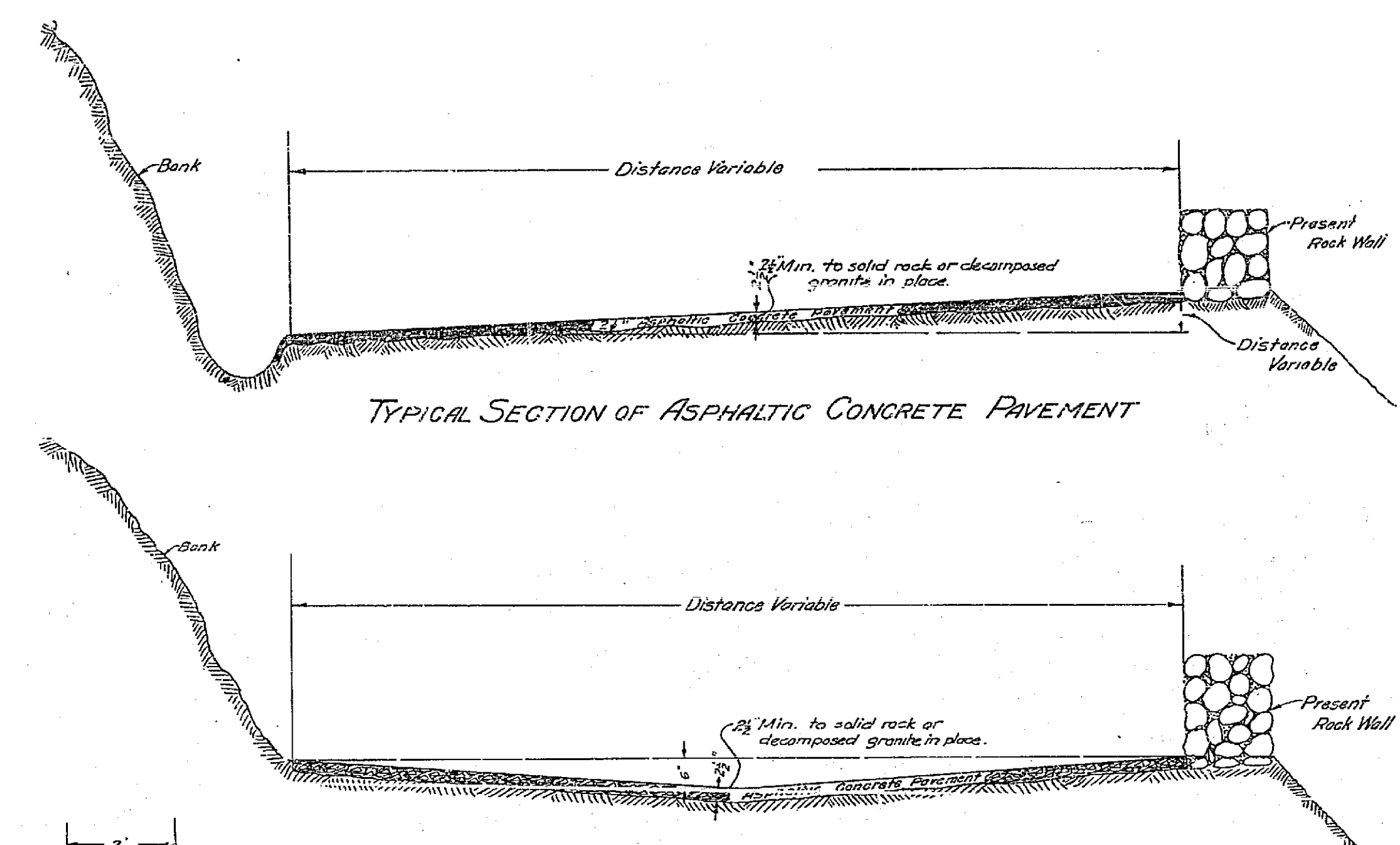
4-1/2" Rods 21' long  
Threaded 1/8" and bent  
3" from end as shown



Concrete Mix - 1-2 1/2-4

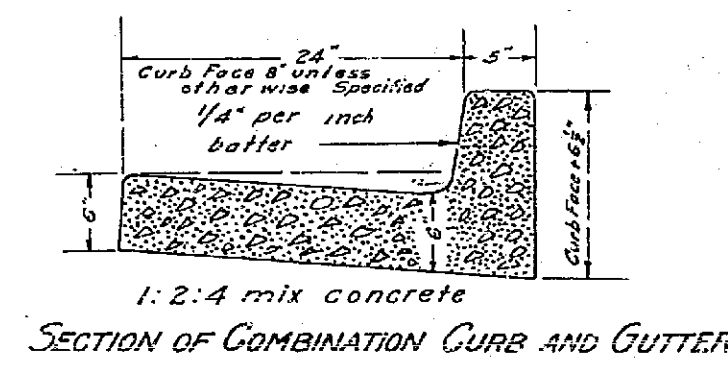


TYPICAL SECTION OF ROCK WALL  
To be constructed where indicated on  
Plan. See Sheet No. 1.

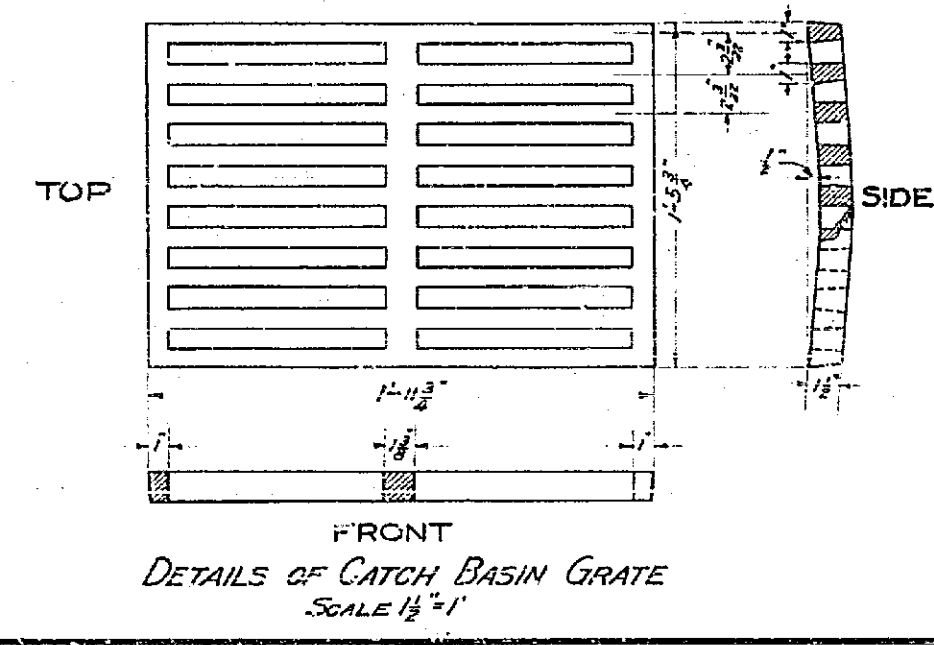


TYPICAL SECTION OF ASPHALTIC CONCRETE PAVEMENT

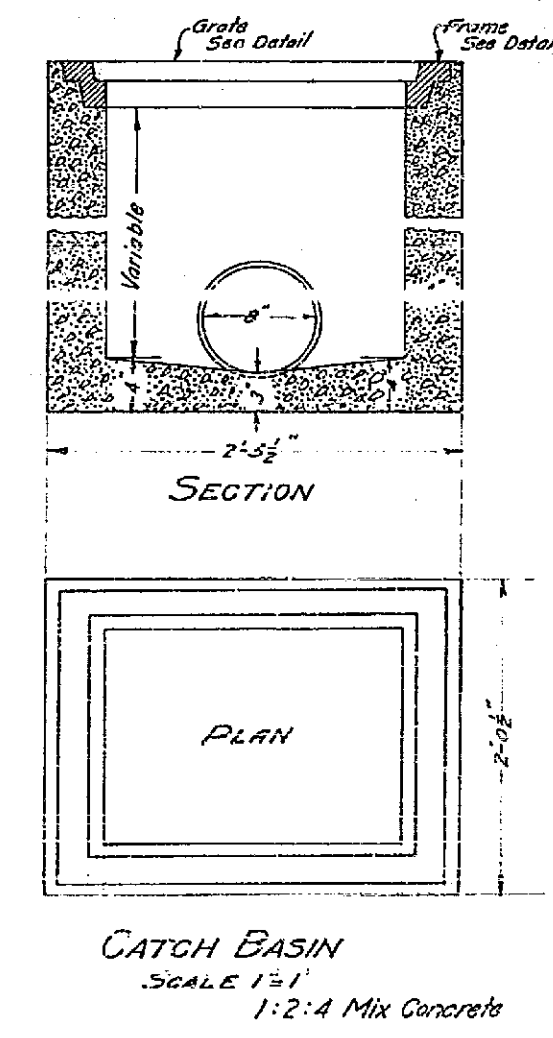
TYPICAL SECTION OF ASPHALTIC CONCRETE PAVEMENT  
To be constructed where Required for Drainage.



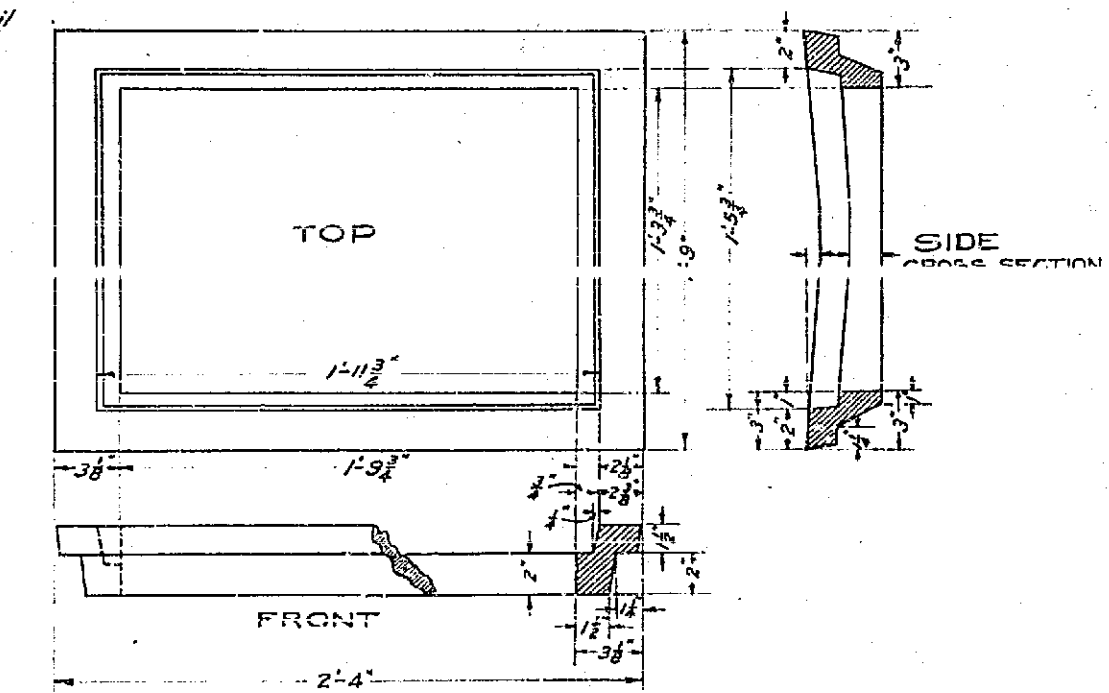
SECTION OF COMBINATION CURB AND GUTTER  
1-2-4 mix concrete



DETAILS OF CATCH BASIN GRATE  
SCALE 1/2"=1"



CATCH BASIN  
SCALE 1/2"=1"  
1-2-4 Mix Concrete



PLAN AND SECTION OF  
TYPE "A" MANHOLE  
Scale 1/2"=1"

FRAME FOR CATCH BASIN  
CAST IRON  
SCALE 1/2"=1"

1006

**MISSING**

**MISSING**

**MISSING**

**MISSING**

**MISSING**

**MISSING**



**MISSING**

**MISSING**

**MISSING**

**MISSING**

**MISSING**

**MISSING**

**MISSING**

**MISSING**



**MISSING**

**MISSING**

**MISSING**

**MISSING**

**MISSING**

**MISSING**

**MISSING**

**MISSING**



**MISSING**