

ARLINGTON VALLEY STORM DRAIN			
TEMESCAL WASH TO VAN BUREN ST.			
Drawing Number	Sheet Number	Total Sheets	Field Book
1047	1	7	370
Drawn	Checked	Approved	

see
Print 1146

PROFILE

OF THE PROPOSED IMPROVEMENT ON

ARLINGTON VALLEY

STORM DRAIN

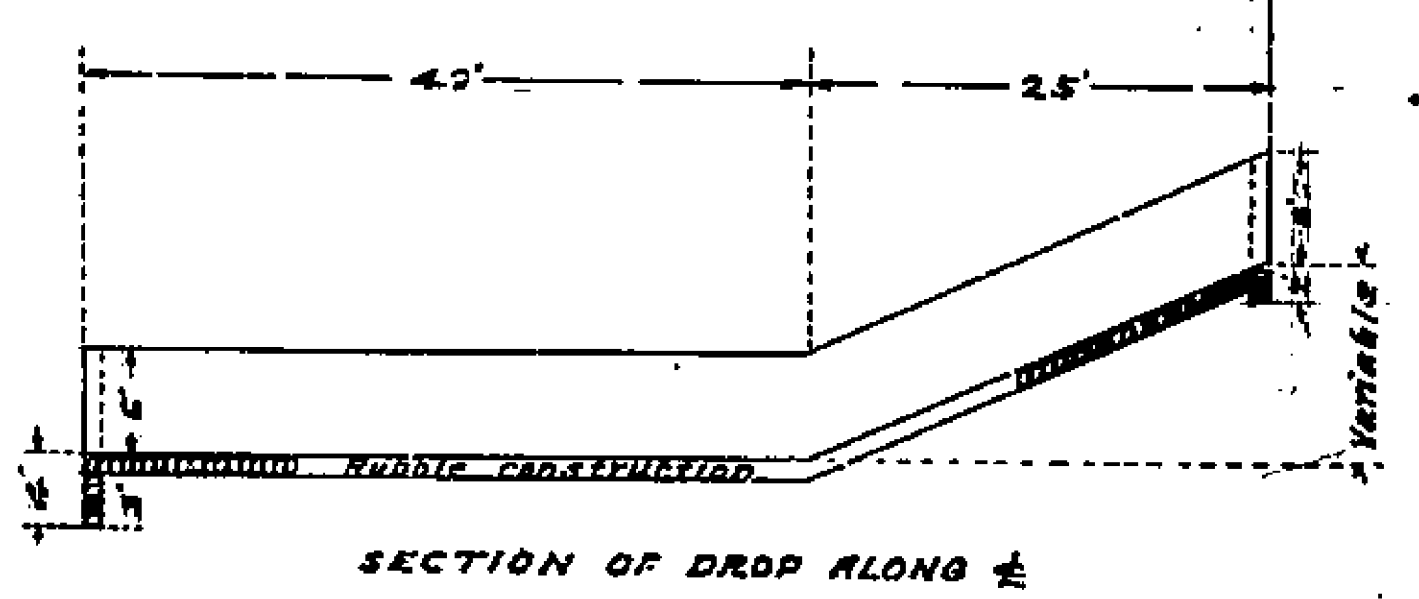
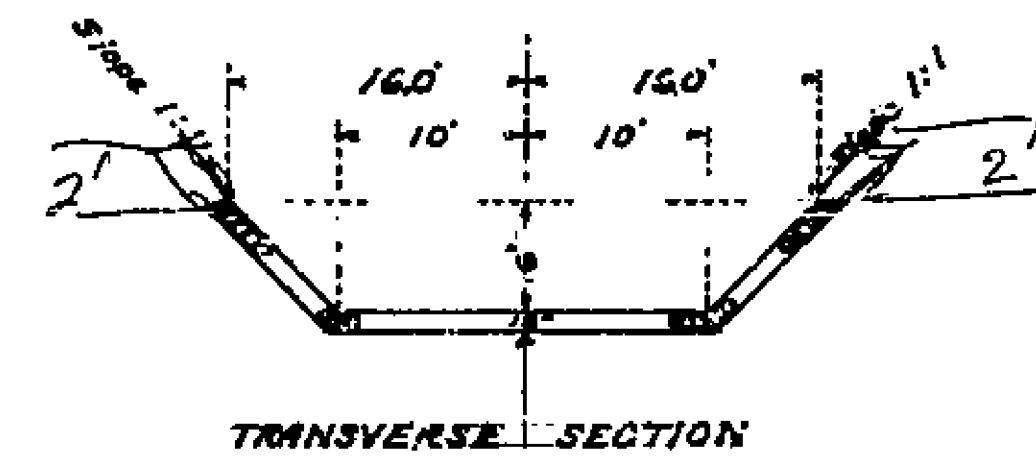
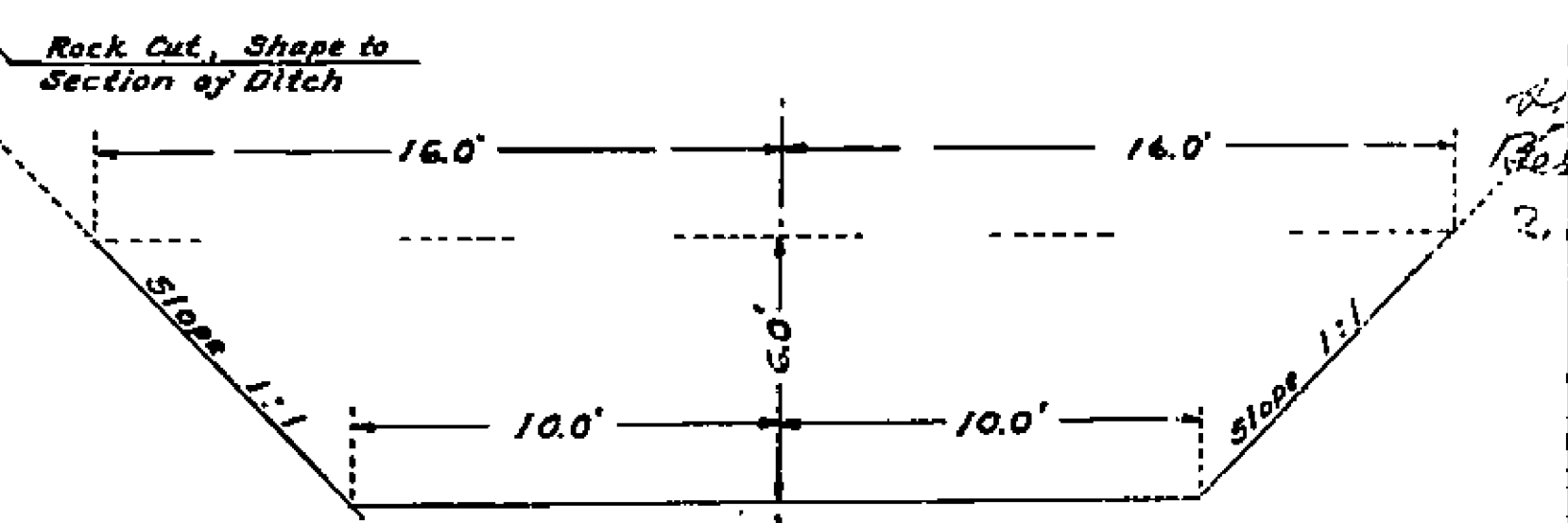
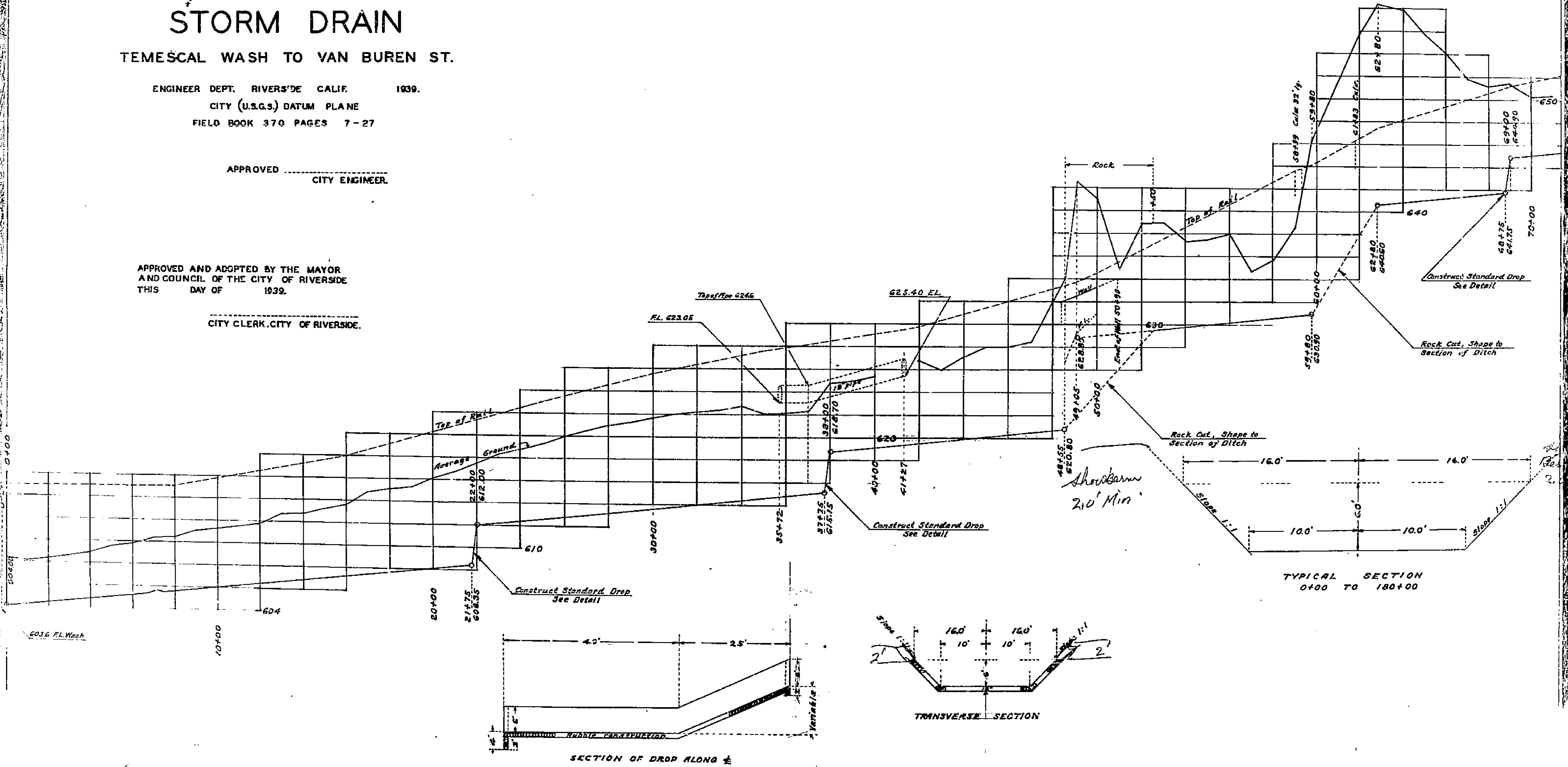
TEMESCAL WASH TO VAN BUREN ST.

ENGINEER DEPT. RIVERSIDE CALIF. 1939.
CITY (U.S.G.S) DATUM PLANE
FIELD BOOK 370 PAGES 7-27

APPROVED _____
CITY ENGINEER.

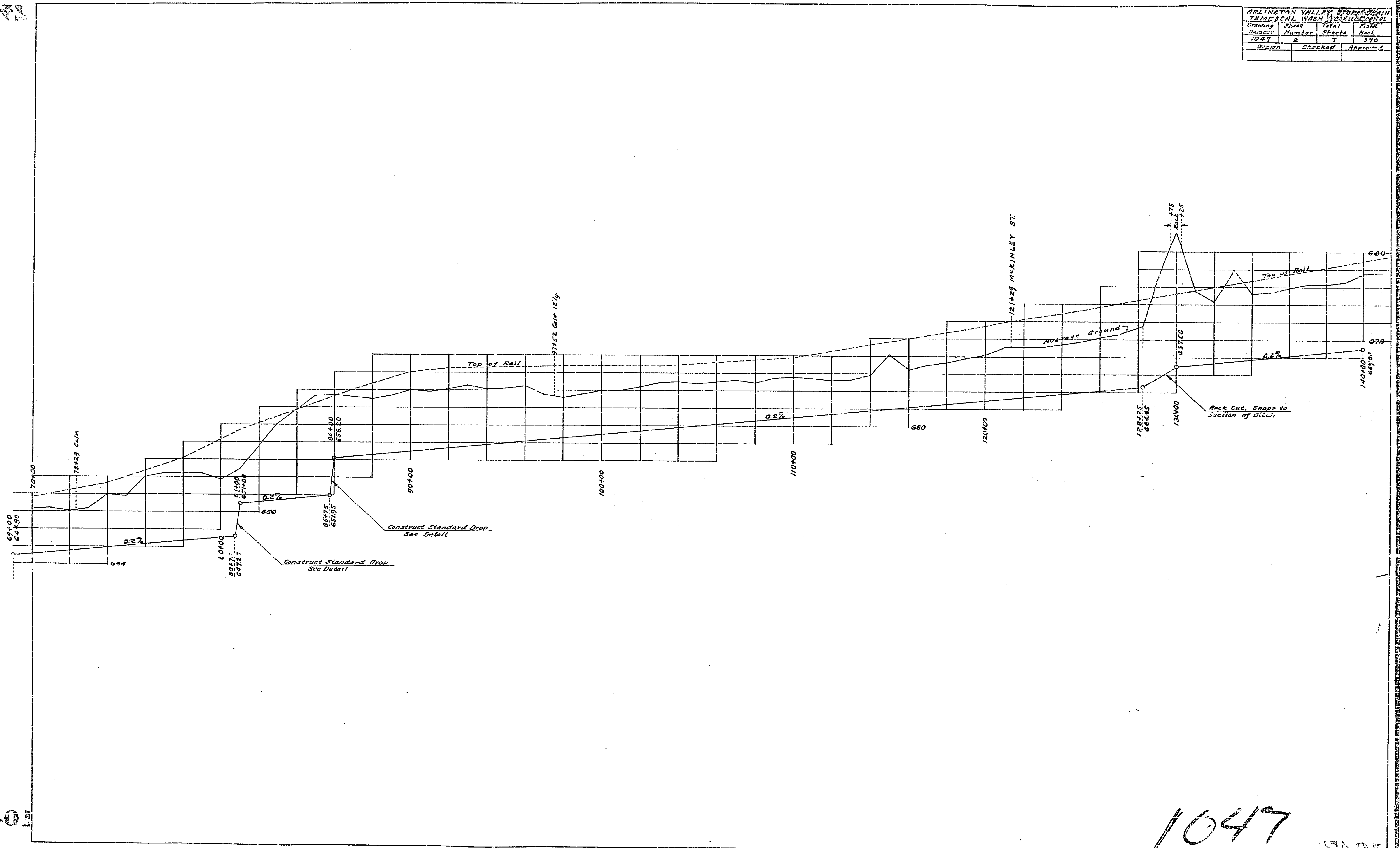
APPROVED AND ADOPTED BY THE MAYOR
AND COUNCIL OF THE CITY OF RIVERSIDE
THIS DAY OF 1939.

CITY CLERK, CITY OF RIVERSIDE.



1047

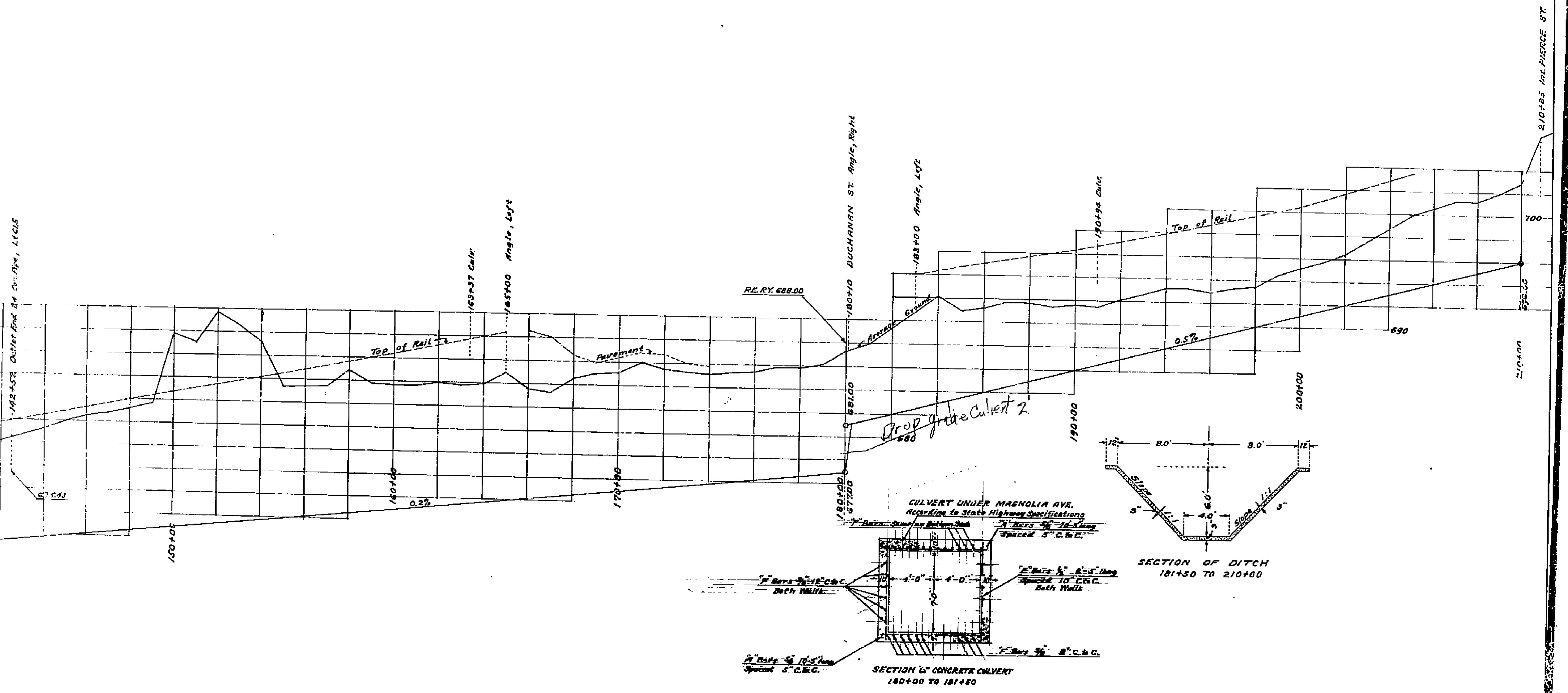
ARLINGTON VALLEY STATION			
TEMESCAL WASH. RIVER CANAL			
Drawing Number	Sheet Number	Total Sheets	Field Book
1047	2	7	370
Division	Checked	Approved	



1047

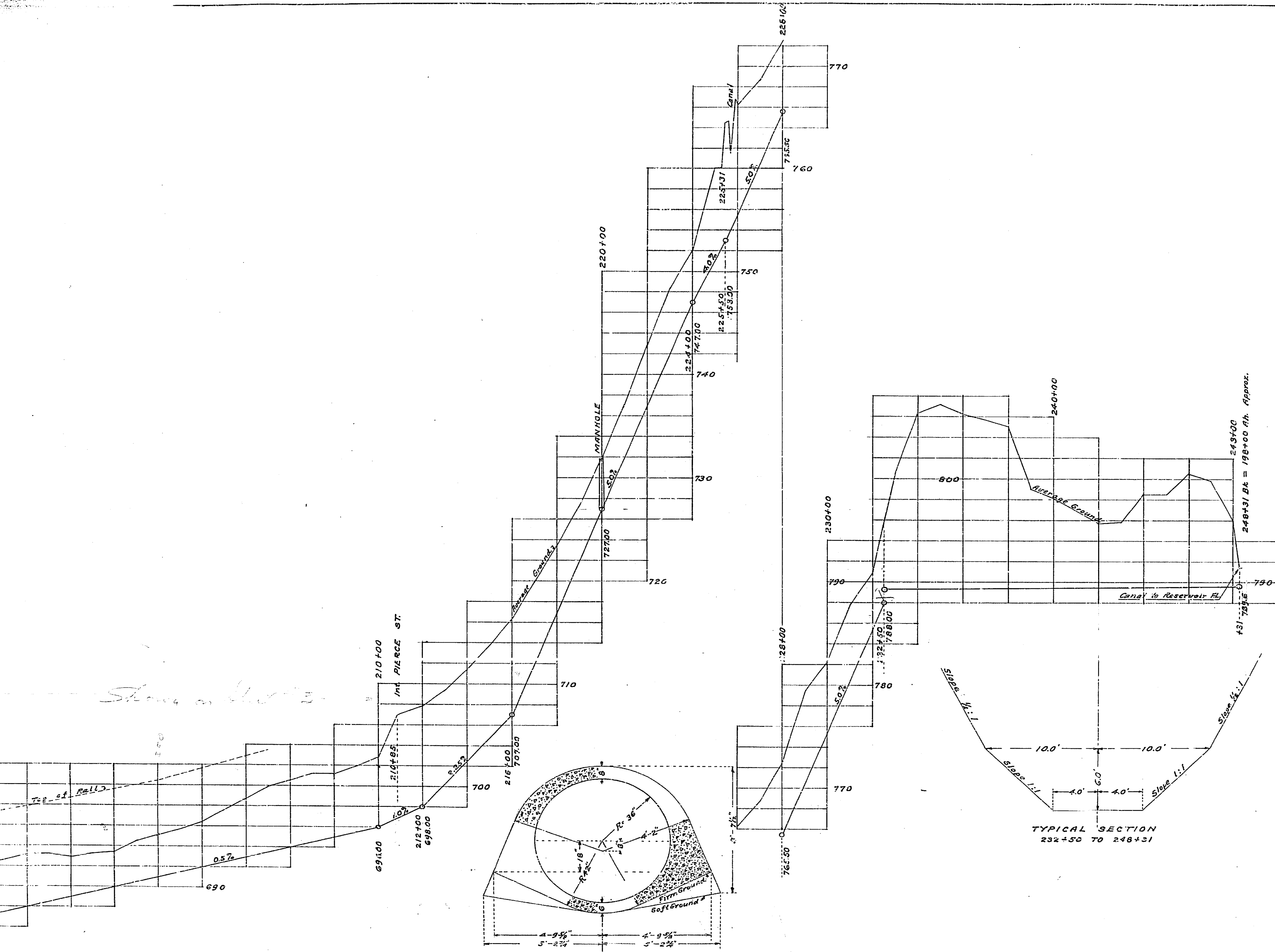
1047

ARLINGTON VALLEY RAILROAD			
TEMESCAL WASHO RY CO. CANAL			
Number	Number	Sheets	Book
1047	3	7	370
Drawn	Checked	Approved	

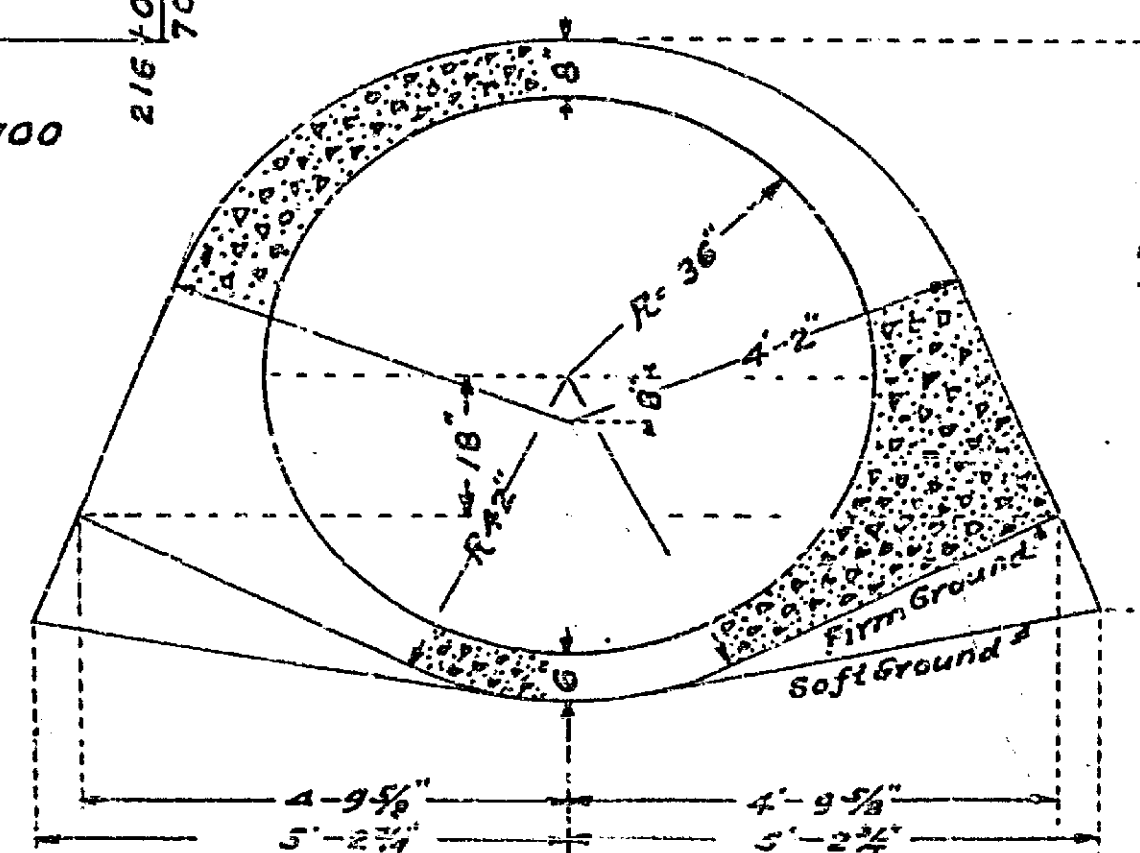


1047

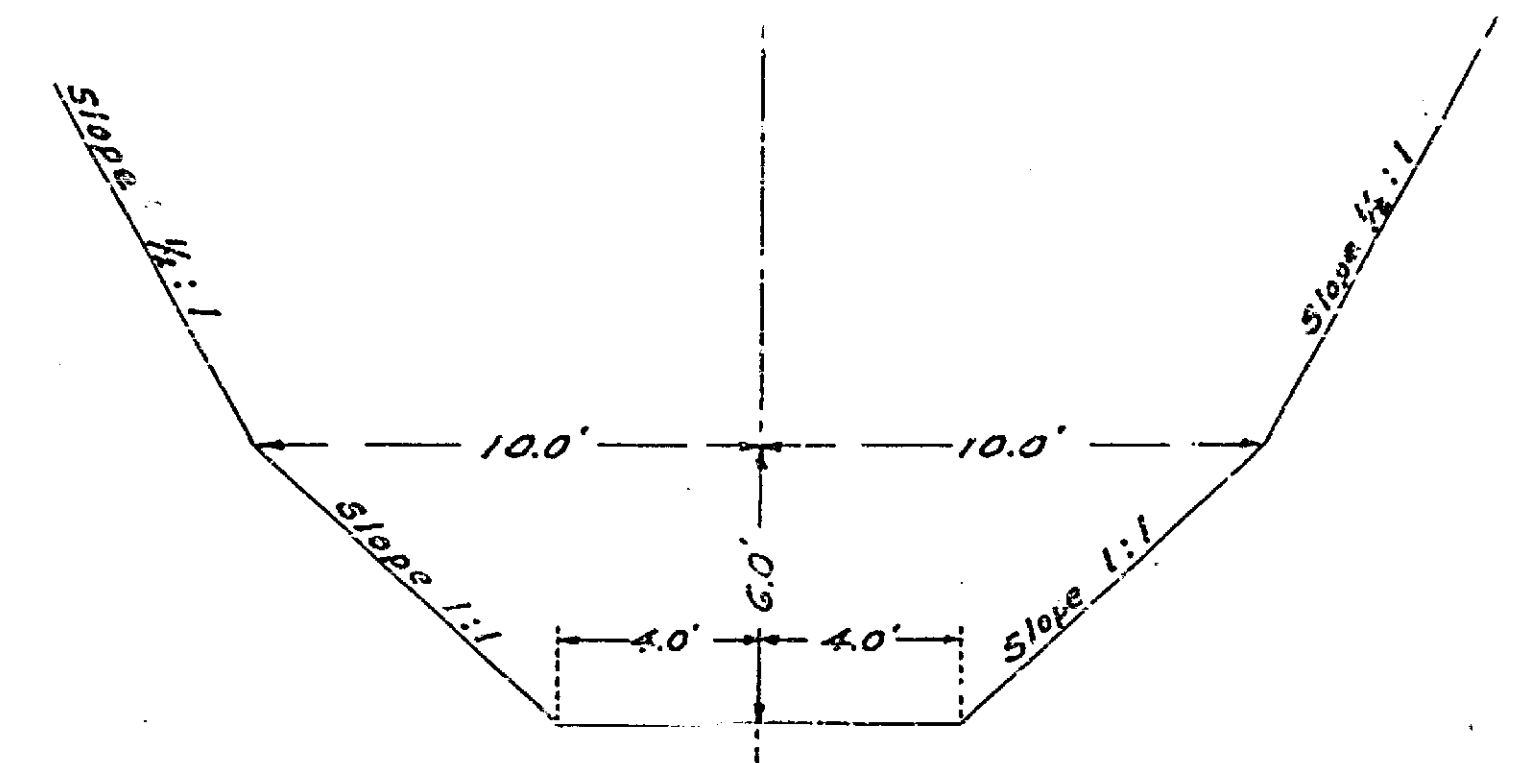
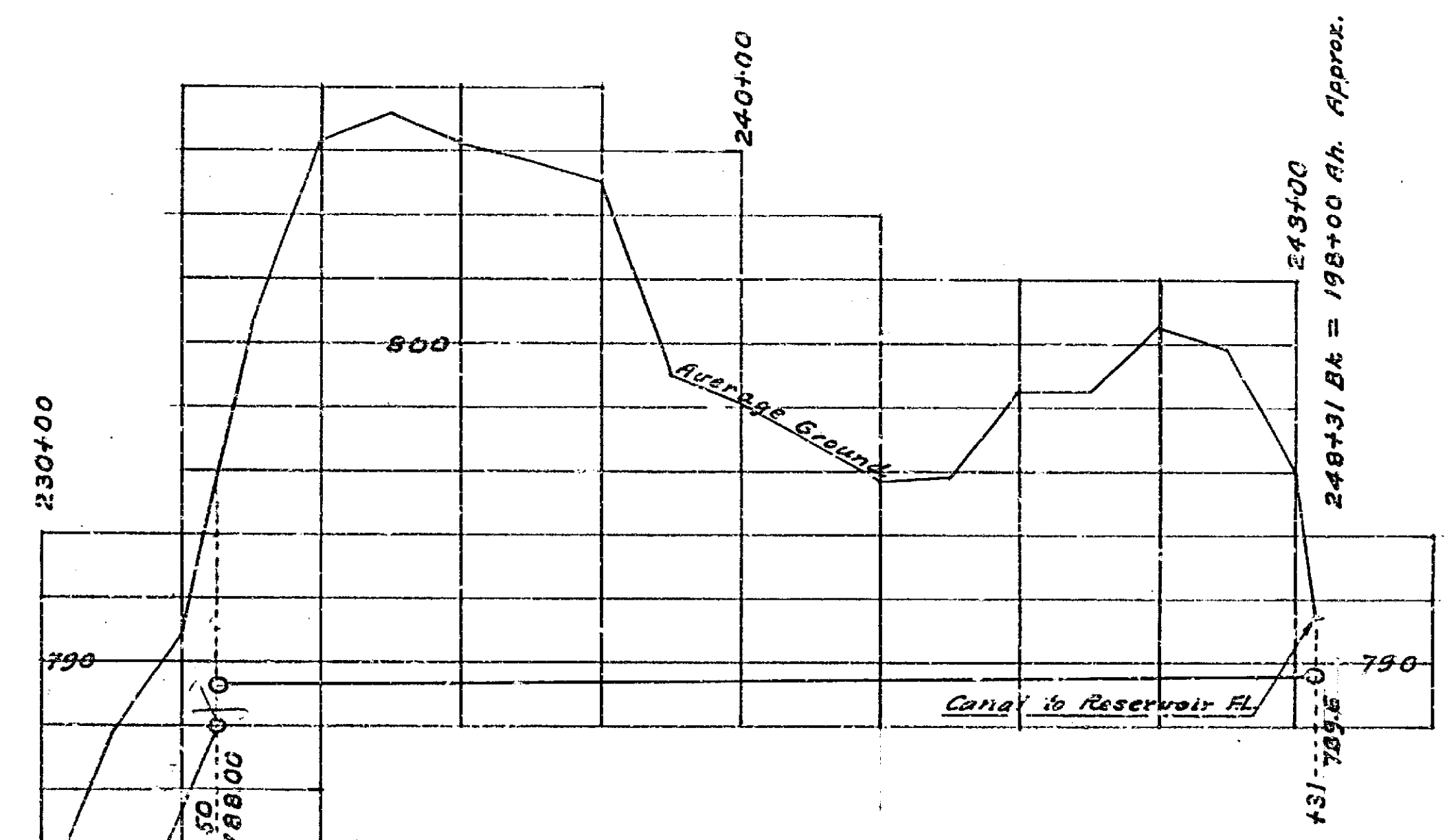
ARLINGTON HALL STONE BRIDGE			
Drawing Number	Sheet Number	Total Sheets	Field Book
1047	4	7	371
Drawn	Checked	Approved	



Shows on the 10/23



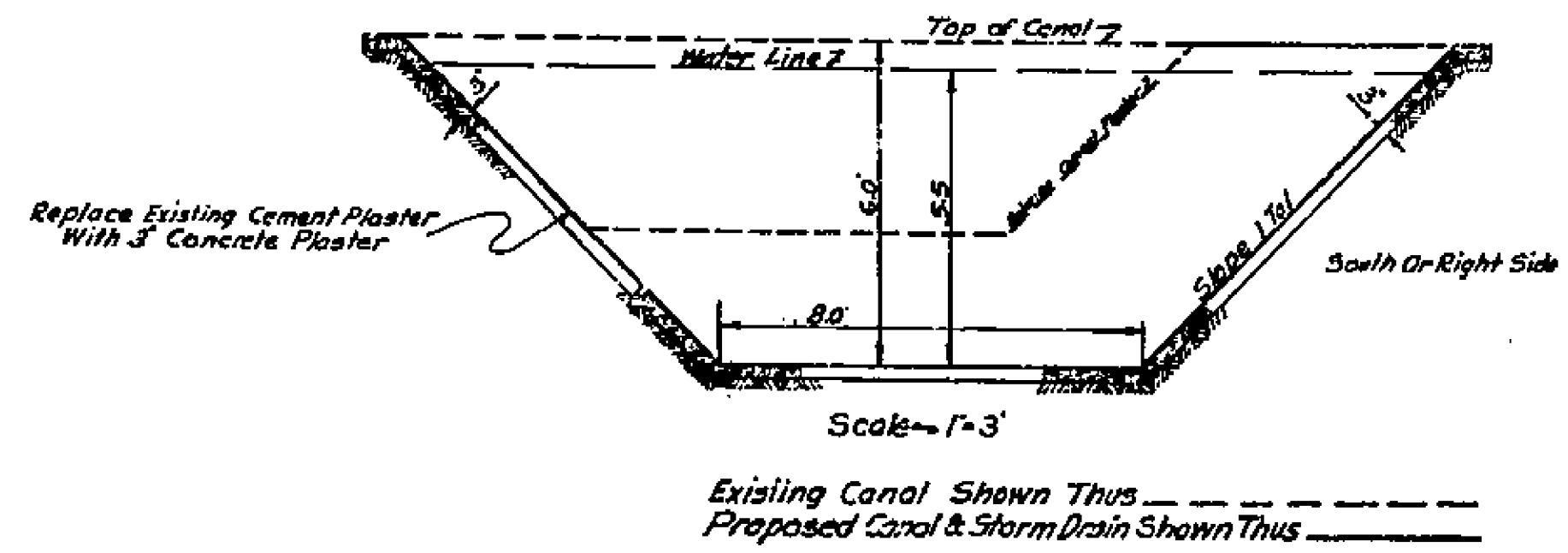
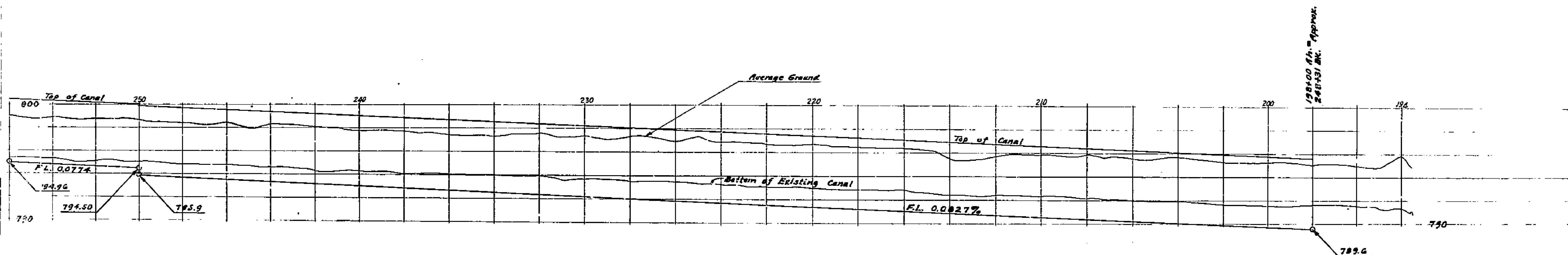
CONCRETE CULVERT SECTION
210+00 TO 232+50
SCALE 1/2" = 1 FT.



TYPICAL SECTION
232+50 TO 248+31

1047

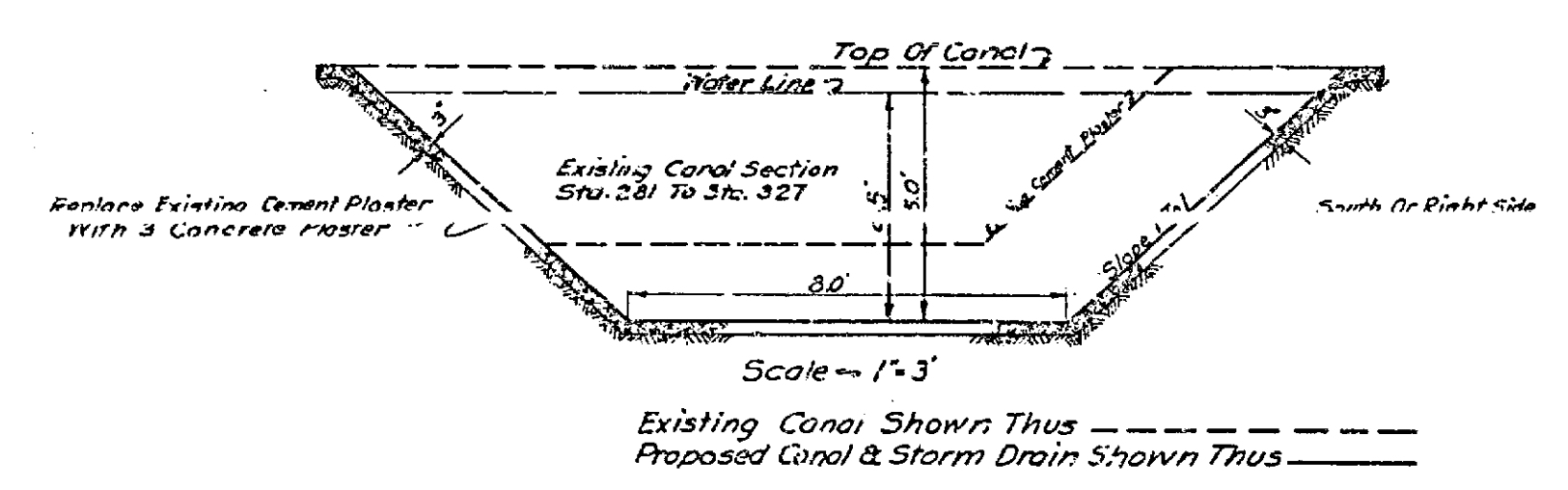
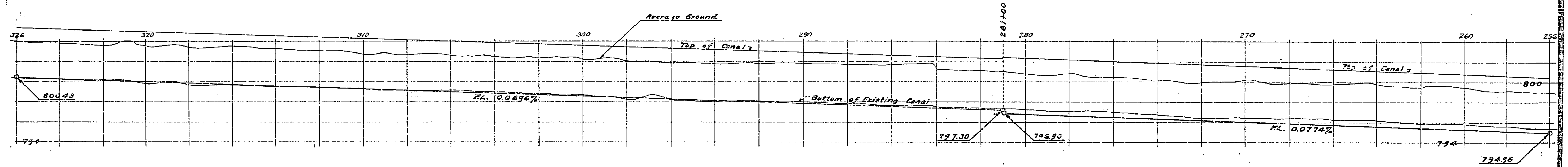
ARLINGTON VALLEY ST. CANAL			
TEMESCAL VALLEY			
Drawing Number	Sheet Number	Total Sheets	Field Book
10-47	5	7	37
Drawn	Checked	Approved	



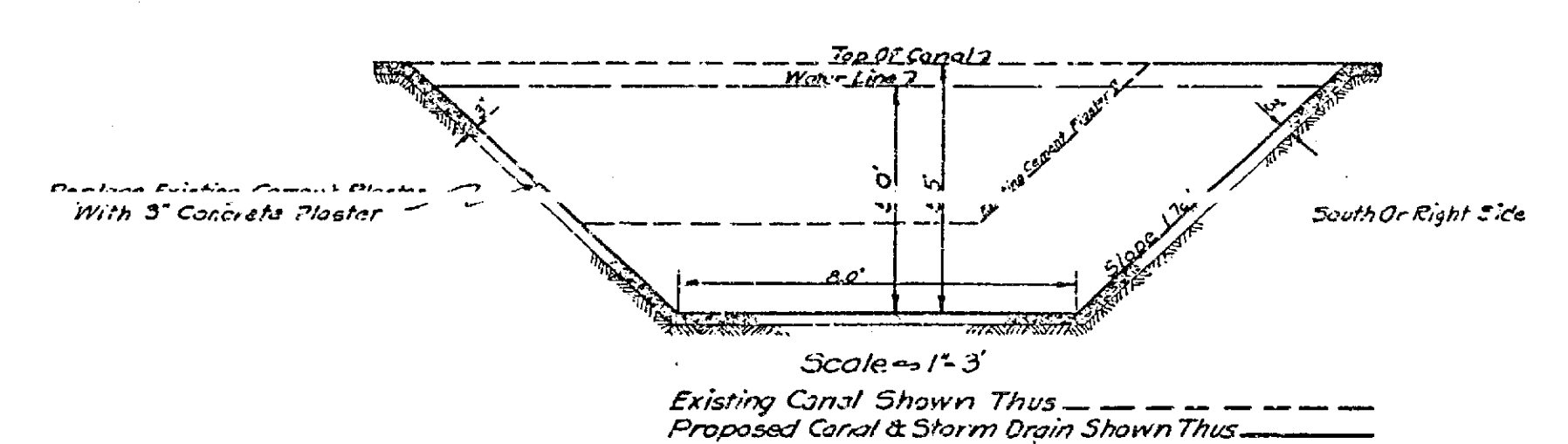
TYPICAL CROSS SECTION STA. 200 TO STA. 250
PROPOSED CANAL AND STORM DRAIN

104

ARLINGTON VALLEY STORM DRAIN			
TEMESCAL WASH TO R.W. 200			
Drawing	Sheet	Title	Page
1047	2	7	370
Drawn	Checked	Approved	



TYPICAL CROSS SECTION—STA. 281 TO STA. 359
PROPOSED CANAL AND STORM DRAIN

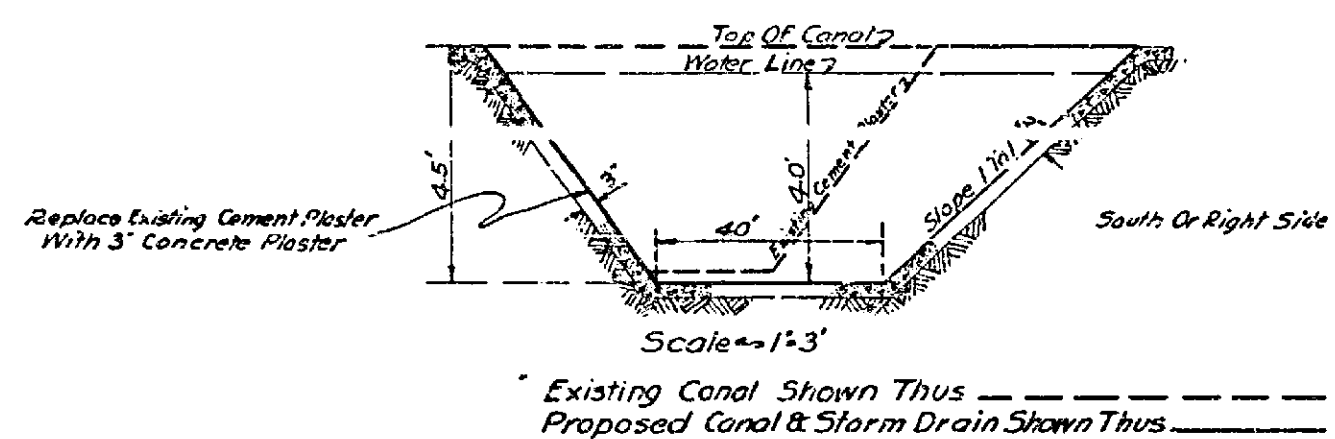
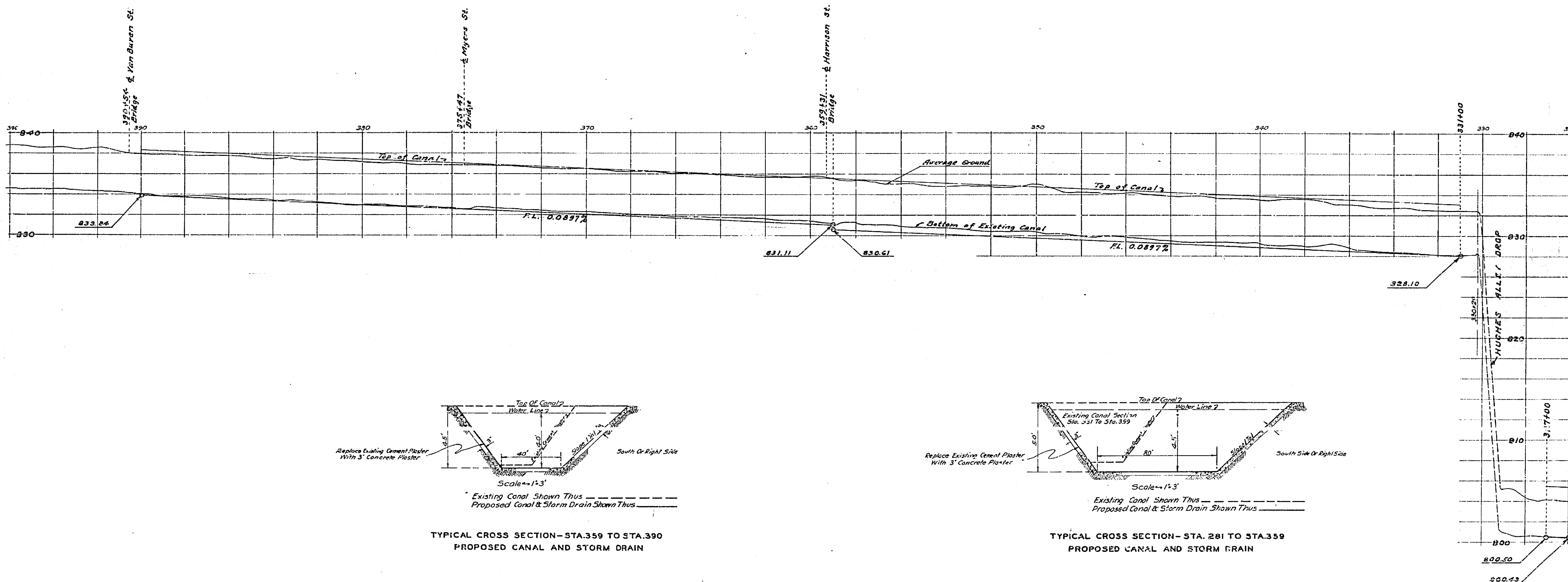


TYPICAL CROSS SECTION—STA. 250 TO STA. 281
PROPOSED CANAL AND STORM DRAIN

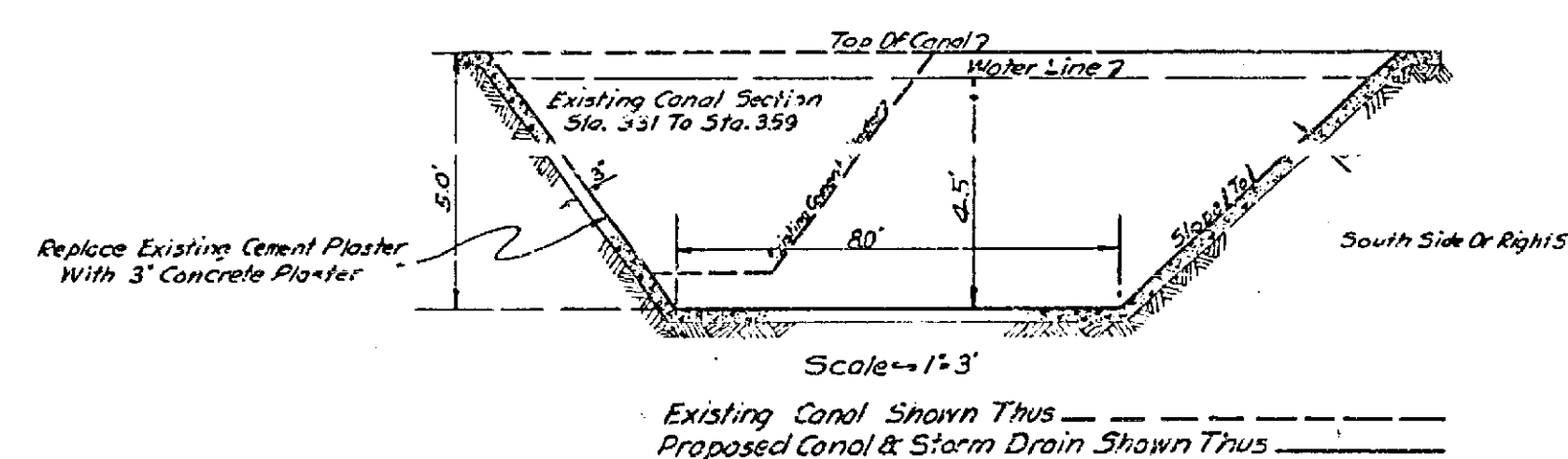
401

1047

ARLINGTON VALLEY STORM DRAIN			
TEMESCAL WASH TO R.H. CO CANAL			
Drawing Number	Sheet Number	Total Sheets	Field Book
1047	7	13	370
Drawn	Checked	Approved	



TYPICAL CROSS SECTION—STA. 359 TO STA. 390
PROPOSED CANAL AND STORM DRAIN



TYPICAL CROSS SECTION—STA. 281 TO STA. 359
PROPOSED CANAL AND STORM DRAIN

1047

1047