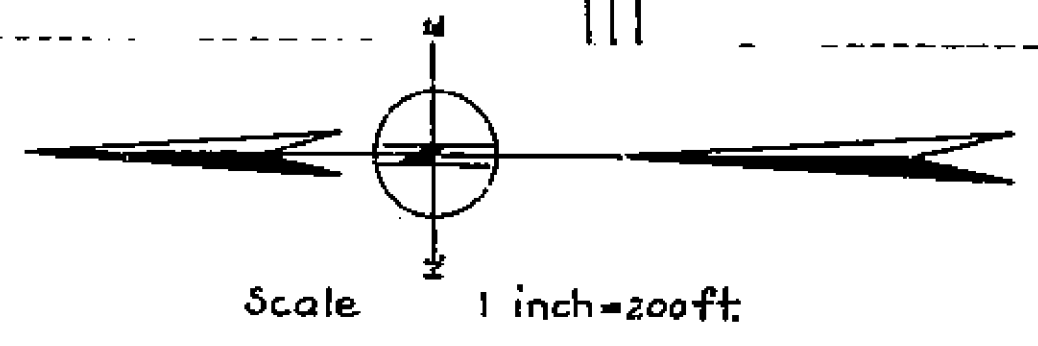
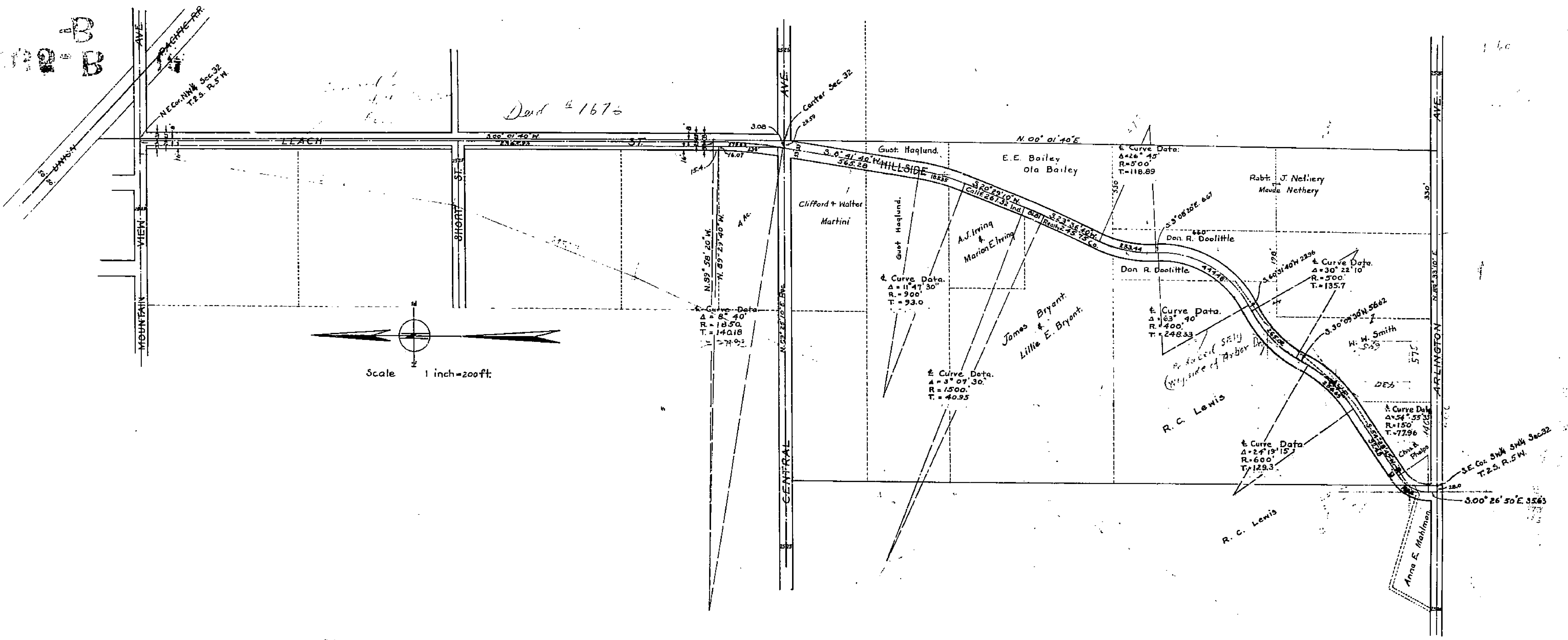


10/15 B  
NE Cor. NW 1/4 Sec. 32  
T.25. R.5W

Dead 41676

160

10/15 B



10/15 B