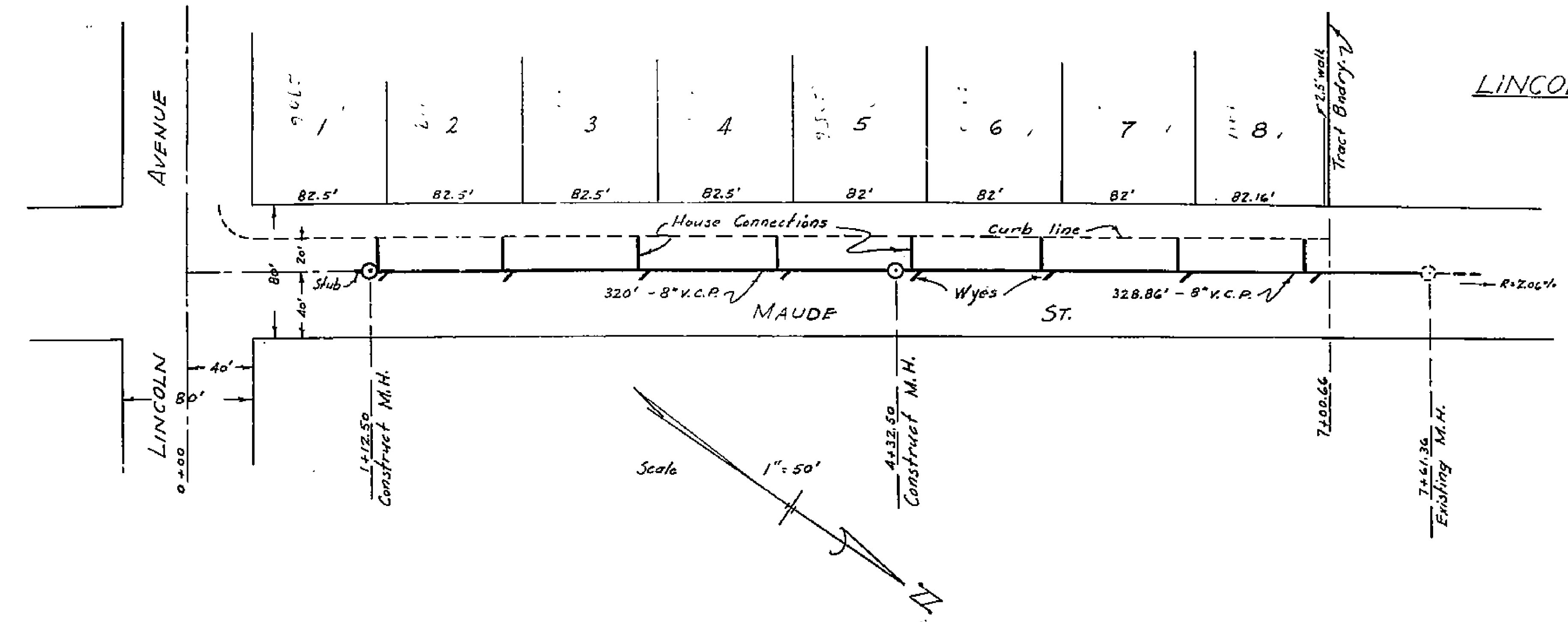


PROPERTY OF
CITY OF RIVERSIDE
CITY ENGINEERING DEPT.

PROPERTY OF
CITY OF RIVERSIDE
CITY ENGINEERING DEPT.

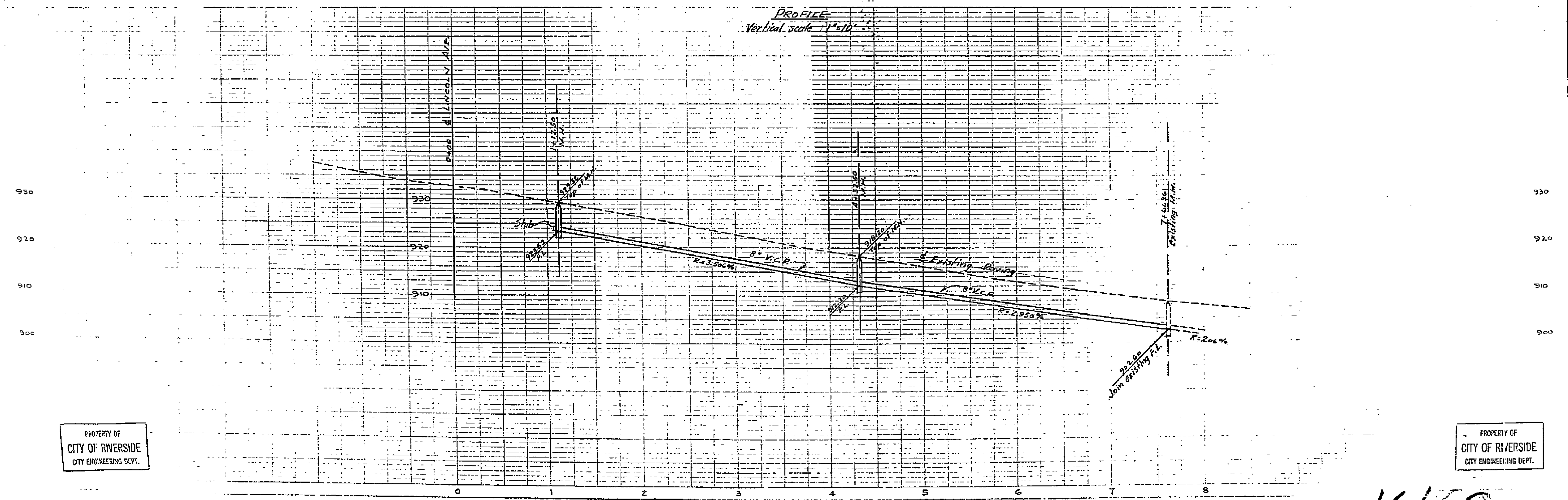
SEWER PLAN AND PROFILE
OF
MAUDE STREET
IN
LINCOLN GROVES UNIT NO. 1

BY
ALBERT A. WEBB ASSOCIATES
CIVIL ENGINEERS RIVERSIDE, CALIF.



Approved June 24 1954
M. H. Durine
City Engineer

PROFILE
Vertical scale 1" = 10'



PROPERTY OF
CITY OF RIVERSIDE
CITY ENGINEERING DEPT.

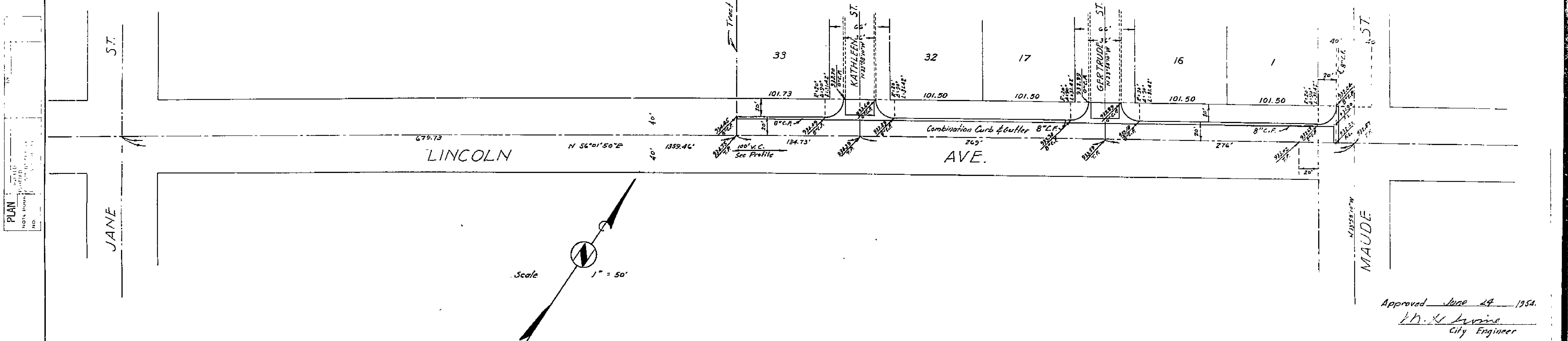
PROPERTY OF
CITY OF RIVERSIDE
CITY ENGINEERING DEPT.

1460

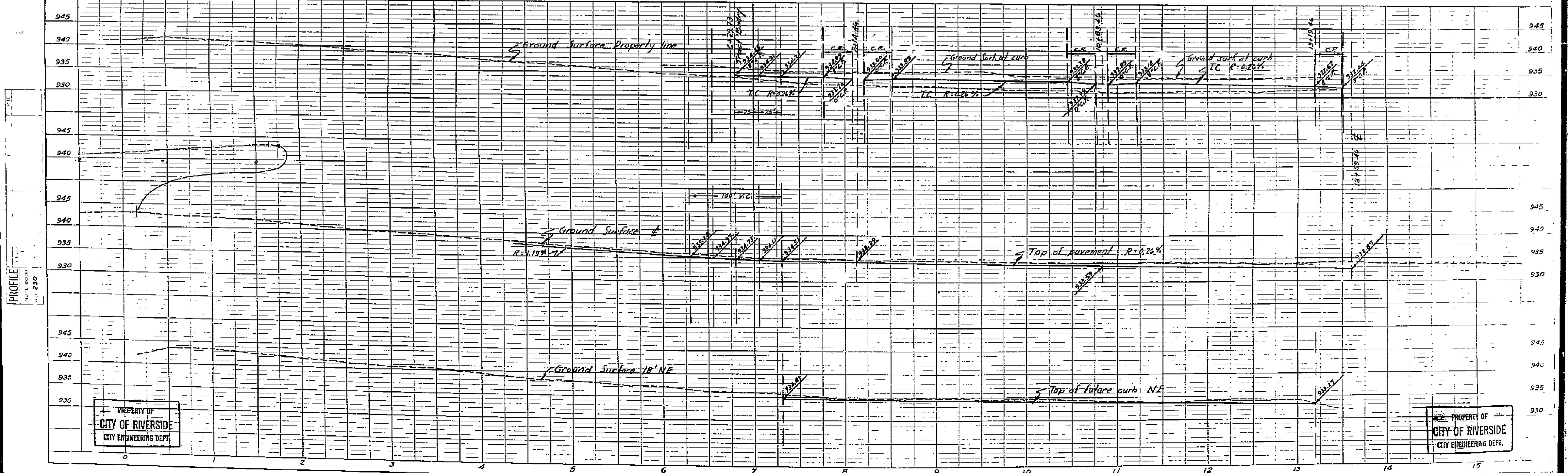
PROPERTY OF
CITY OF RIVERSIDE
CITY ENGINEERING DEPT.

SHEET 3 OF 3 SHEET
STREET PLAN AND PROFILE
OF
LINCOLN AVENUE
IN
LINCOLN GROVES UNIT NO. 1

PROPERTY OF
CITY OF RIVERSIDE
CITY ENGINEERING DEPT.



Approved June 24 1954.
H. V. Irvine
City Engineer



PROPERTY OF
CITY OF RIVERSIDE
CITY ENGINEERING DEPT.

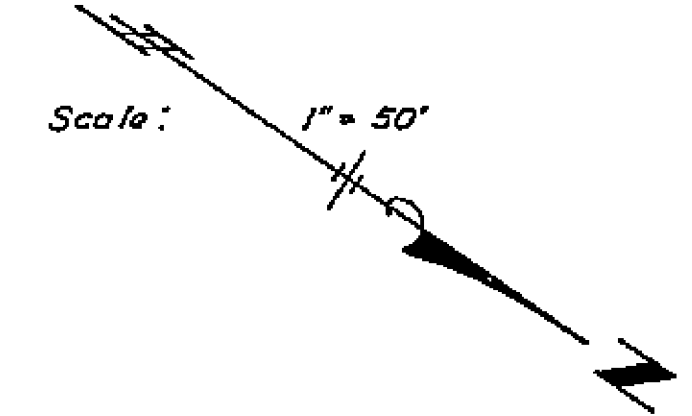
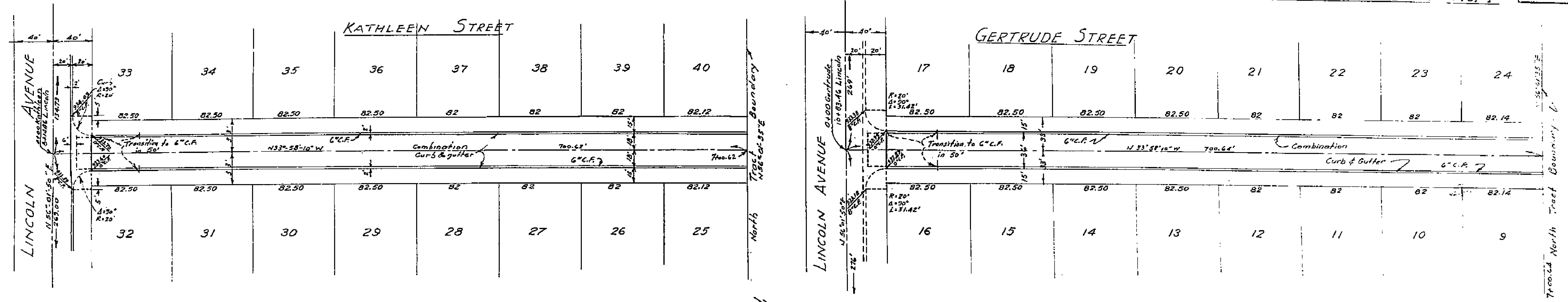
PROPERTY OF
CITY OF RIVERSIDE
CITY ENGINEERING DEPT.

1460

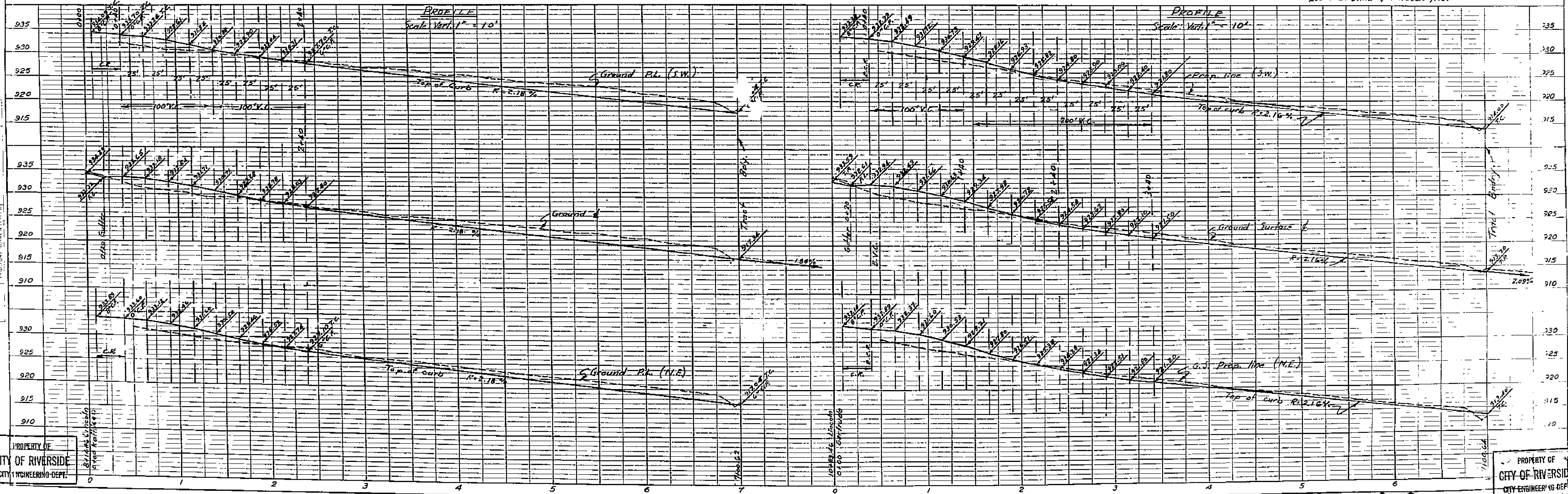
PROPERTY OF
CITY OF RIVERSIDE
CITY ENGINEERING DEPT.

STREET PLANS AND PROFILE
OF
KATHLEEN & GERTRUDE ST.
IN
LINCOLN GROVES UNIT NO. 1

PROPERTY OF
CITY OF RIVERSIDE
CITY ENGINEERING DEPT.



Approved June 24 1954.
M. H. Irvine
City Engineer
Bench Mark 943.02 Sp. P.P. R38407
200' N.E. JANE & LINCOLN AV.



PROPERTY OF
CITY OF RIVERSIDE
CITY ENGINEERING DEPT.

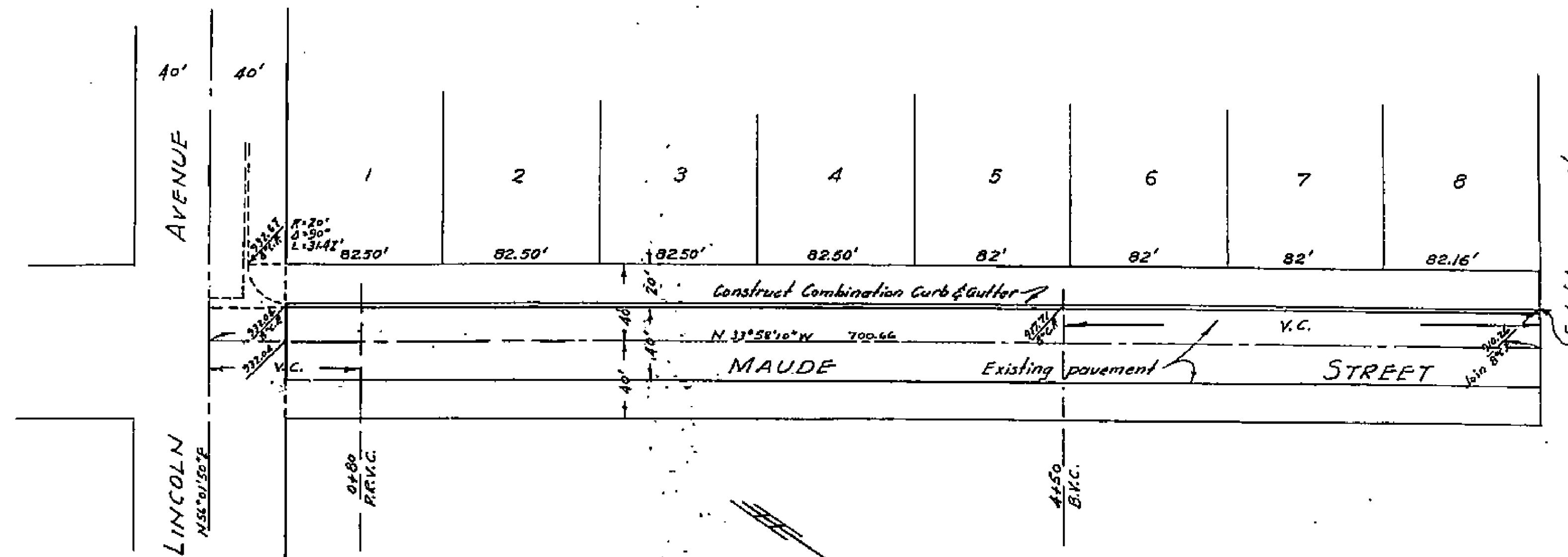
PROPERTY OF
CITY OF RIVERSIDE
CITY ENGINEERING DEPT.

1460

PROPERTY OF
CITY OF RIVERSIDE
CITY ENGINEERING DEPT.

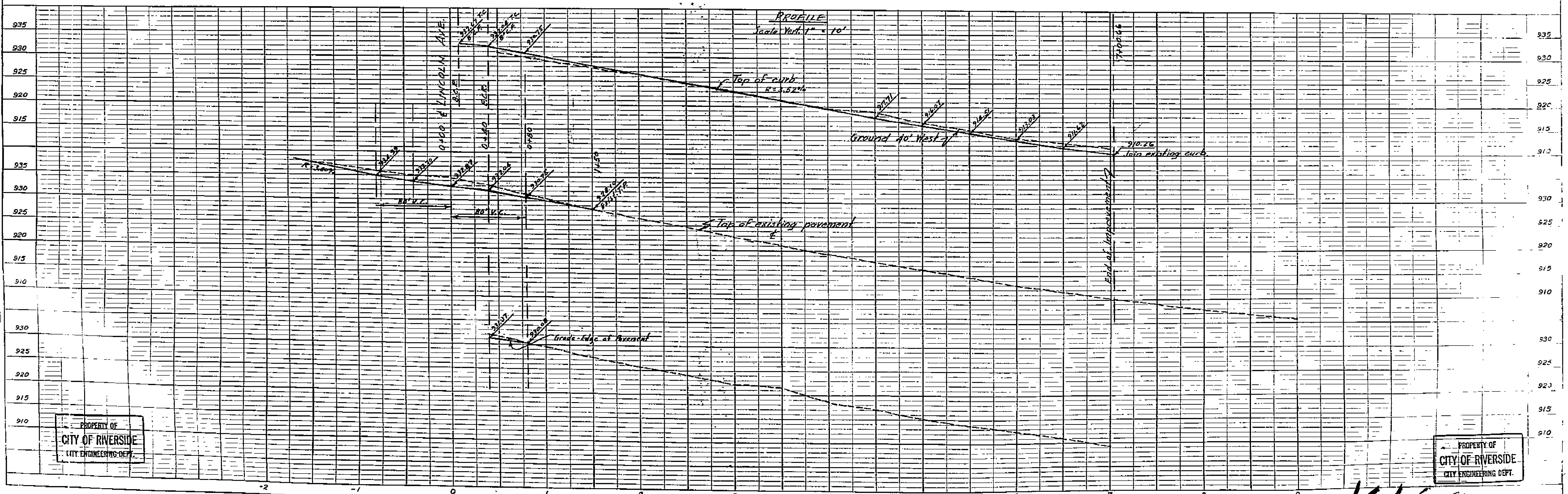
SHEET 2 OF 3 SHEETS
STREET PLAN AND PROFILE
OF
MAUDE STREET
IN
LINCOLN GROVES UNIT NO. 1

PROPERTY OF
CITY OF RIVERSIDE
CITY ENGINEERING DEPT.



Approved June 24 1954

M. H. Irvine
City Engineer



PROPERTY OF
CITY OF RIVERSIDE
CITY ENGINEERING DEPT.

PROPERTY OF
CITY OF RIVERSIDE
CITY ENGINEERING DEPT.

1460

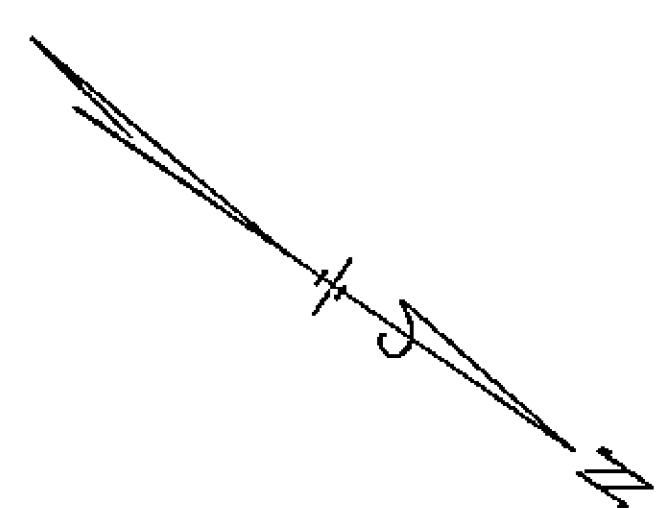
PROPERTY OF
CITY OF RIVERSIDE
CITY ENGINEERING DEPT.

REVISED
STREET PLAN AND PROFILE
OF
KATHLEEN ST. & GERTRUDE ST.
IN
LINCOLN GROVES UNIT NO 1

PROPERTY OF
CITY OF RIVERSIDE
CITY ENGINEERING DEPT.

PLAN	DATE
BY	
NO.	
REVISIONS	
1. ALTERNATE CHECKED	
2. BY	
3. DATE	

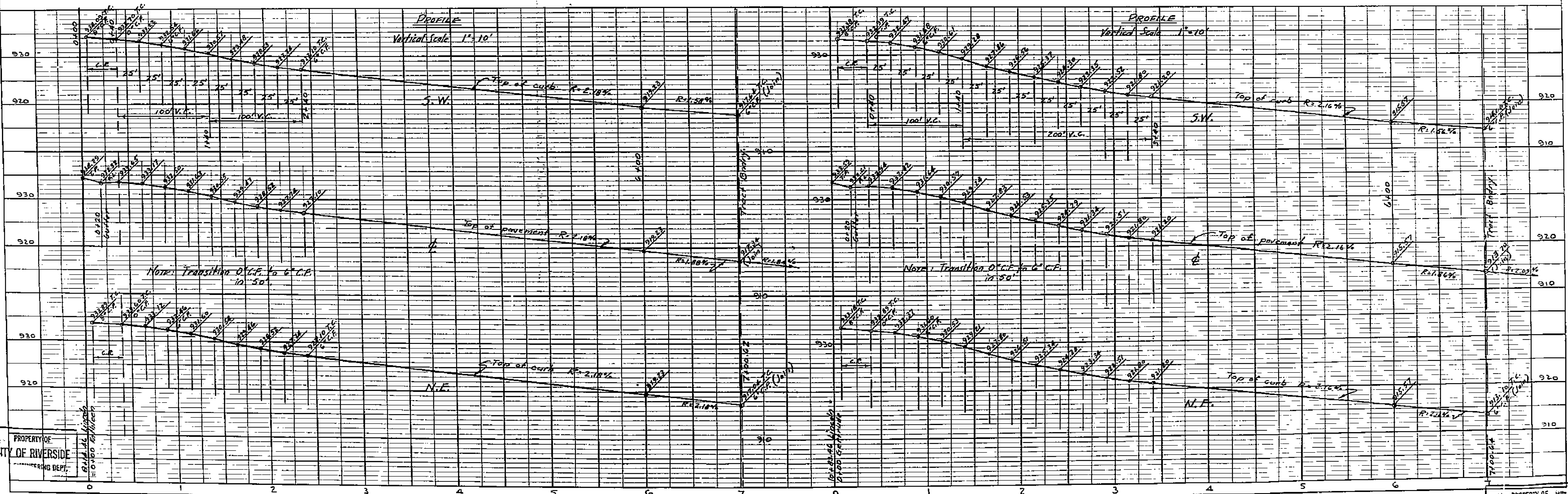
KATHLEEN STREET



NOTE: Revision consisted of changing typical cross sections from a 0.6' cross-fall to a level section on KATHLEEN & GERTRUDE.

Approved July 14 1954
M. H. Irvine
City Engineer

GERTRUDE STREET



PROFILE	DATE
BY	
NO.	
REVISIONS	
1. ALTERNATE CHECKED	
2. BY	
3. DATE	

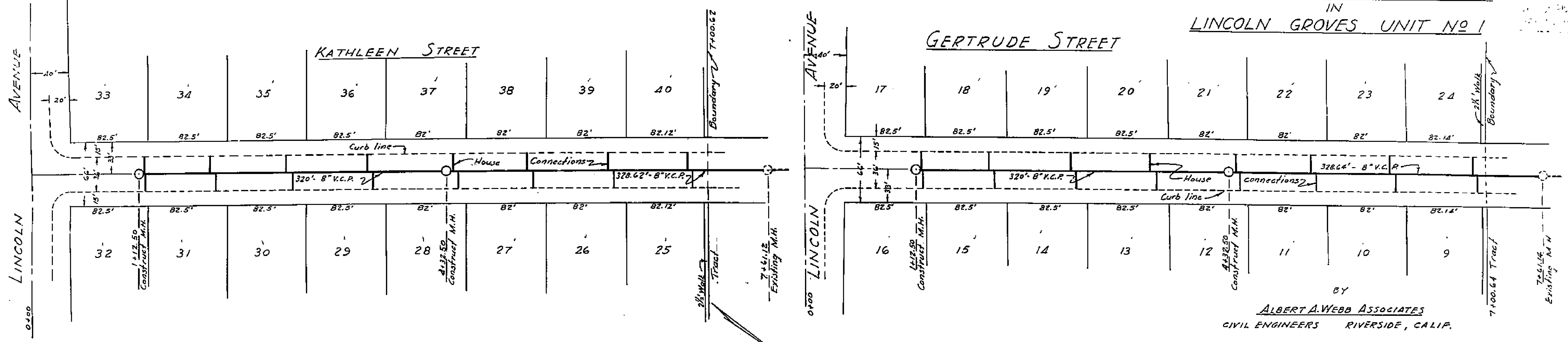
1460

PROPERTY OF
CITY OF RIVERSIDE
CITY ENGINEERING DEPT.

PROPERTY OF
CITY OF RIVERSIDE
CITY ENGINEERING DEPT.

PROPERTY OF
CITY OF RIVERSIDE
CITY ENGINEERING DEPT.

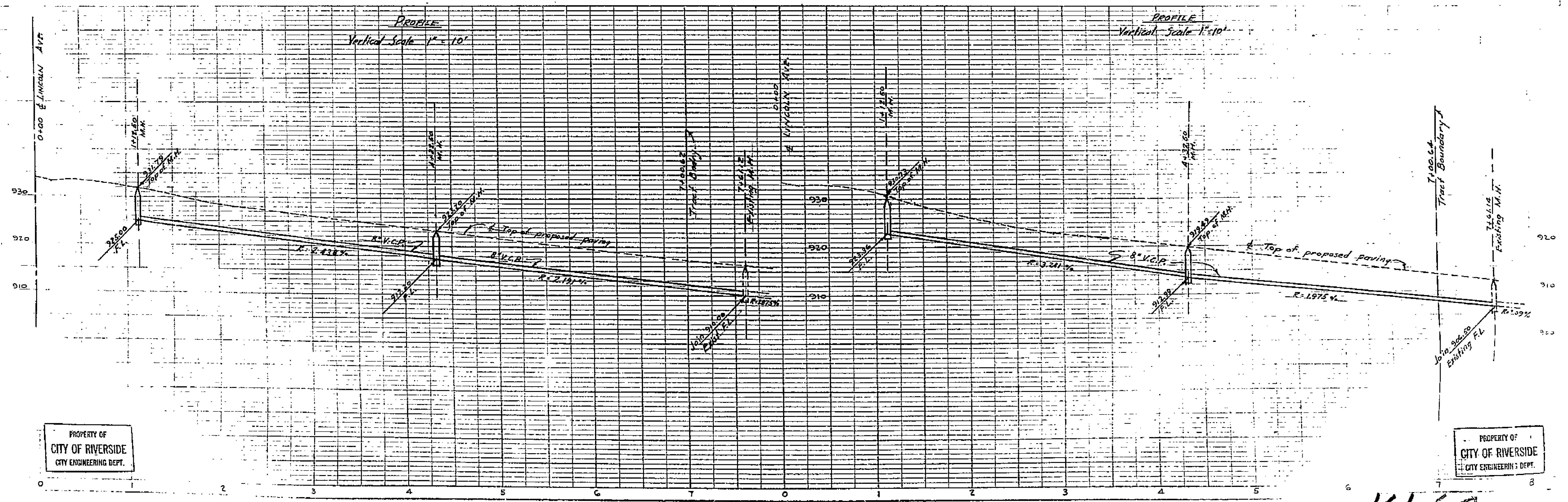
SHEET 1 OF 2
SEWER PLANS AND PROFILE
OF
KATHLEEN ST. AND GERTRUDE ST.
IN
LINCOLN GROVES UNIT NO. 1



BY
ALBERT A. WEBB ASSOCIATES
CIVIL ENGINEERS RIVERSIDE, CALIF.

NOTES:
Bench Mark 943.02 - Spt. P.P. R38607 200' NE
Jane St. & Lincoln Ave.
House connections and Wyes to be located in field.

Approved June 24 1954.
M. H. Swine
City Engineer



PROPERTY OF
CITY OF RIVERSIDE
CITY ENGINEERING DEPT.

PROPERTY OF
CITY OF RIVERSIDE
CITY ENGINEERING DEPT.

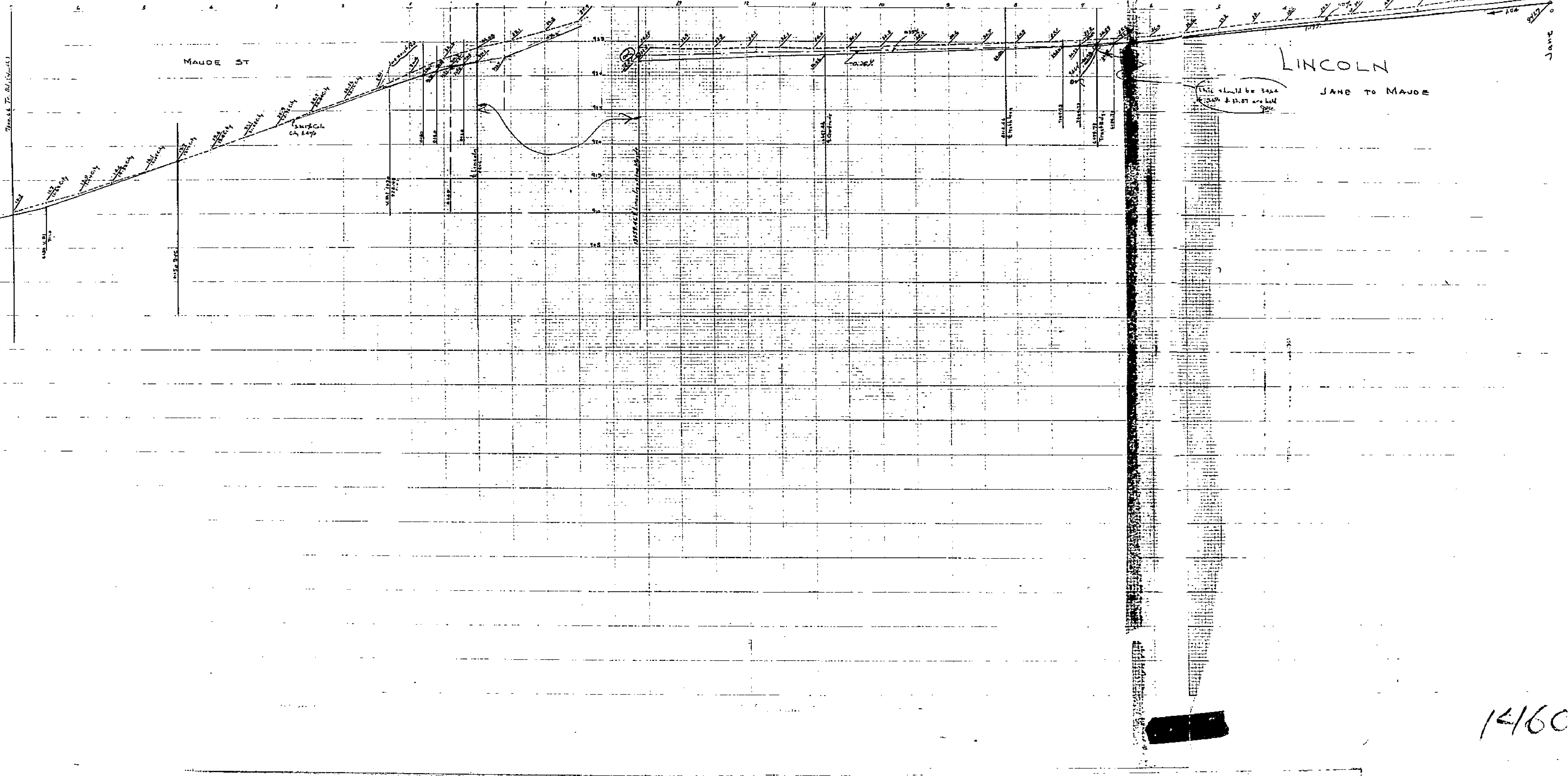
1460

15
10
20

7-10-00 300ft

LINCOLN GROVES

Webb Assoc



LINCOLN

JANE TO MAUDE

This should be same
width as 12.07 and 12.07

14160