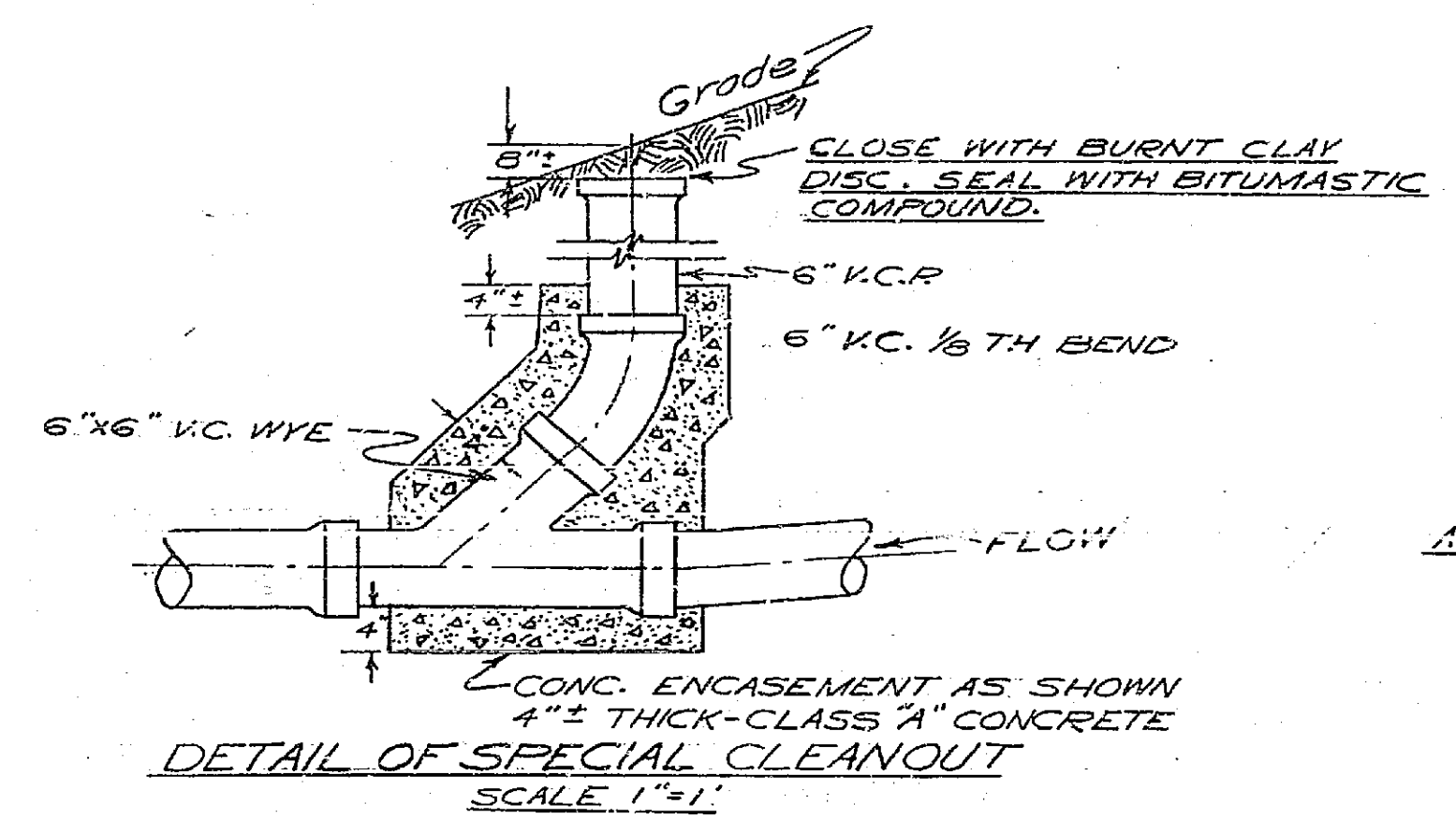


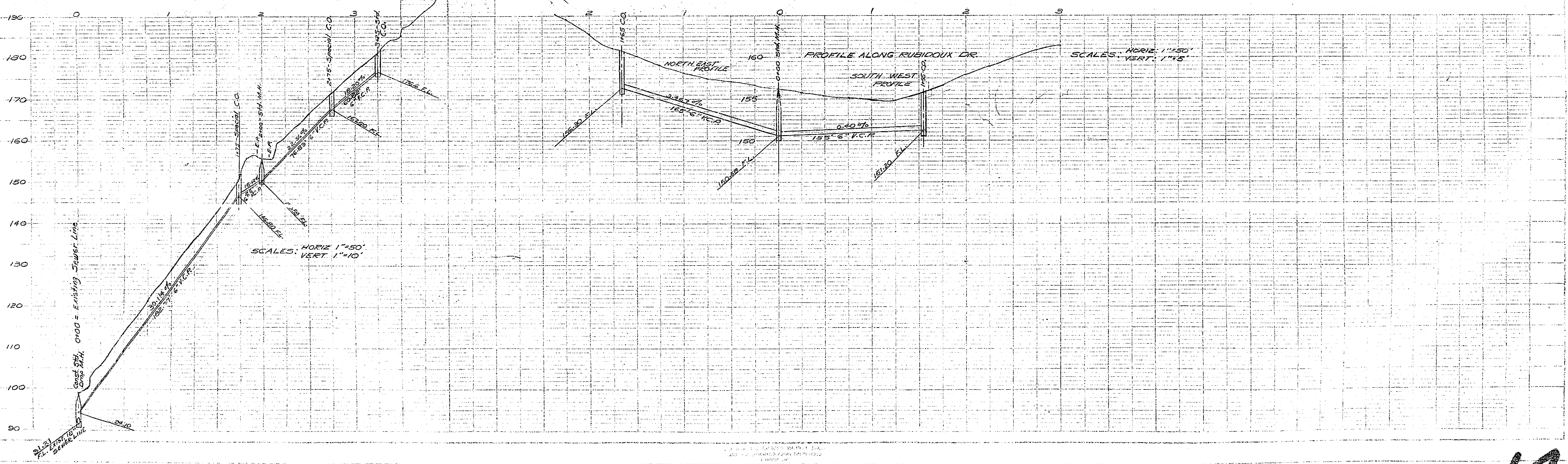
PLAN AND PROFILE
 NO. 146-C
 SHOWING PROPOSED SEWER FOR H. BOYLAN
 AND OTHERS ON
 LITTLE RUBIDOUX

F.B. 498-65

SCALE: 1" = 50'



APPROVED: *M. H. Irvine*
 M.H. IRVINE, REG. CE. 7301
 CITY ENGINEER



146-C