

See Sheet 269

MADISON

80

80

WASHINGTON SQUARE

5

DIVISION "A"

M.B. 4-70 Riv. Co.

SANTA ROSA WAY

M.B. 27-69 Riv. Co.

508.6

EL SOL

WAY

SUB.

NO. 2

LOS RANCHITOS

DISTRICT BOUNDARY

LOS RANCHITOS

SONORA PLACE

DISTRICT BOUNDARY

1 2 3 4 5 6 7 8 9 10 11 12 13 14 15 16 17 18 19 20

1 2 3 4 5 6 7 8 9 10

M.B. 26-28 Riv. Co.

ST.

50

50

LINCOLN

508.64

80

AVE.

FREDA

AVE.

8

S T F R A N C E S

H E I G H T S

M.B. 11-41 Riv. Co.

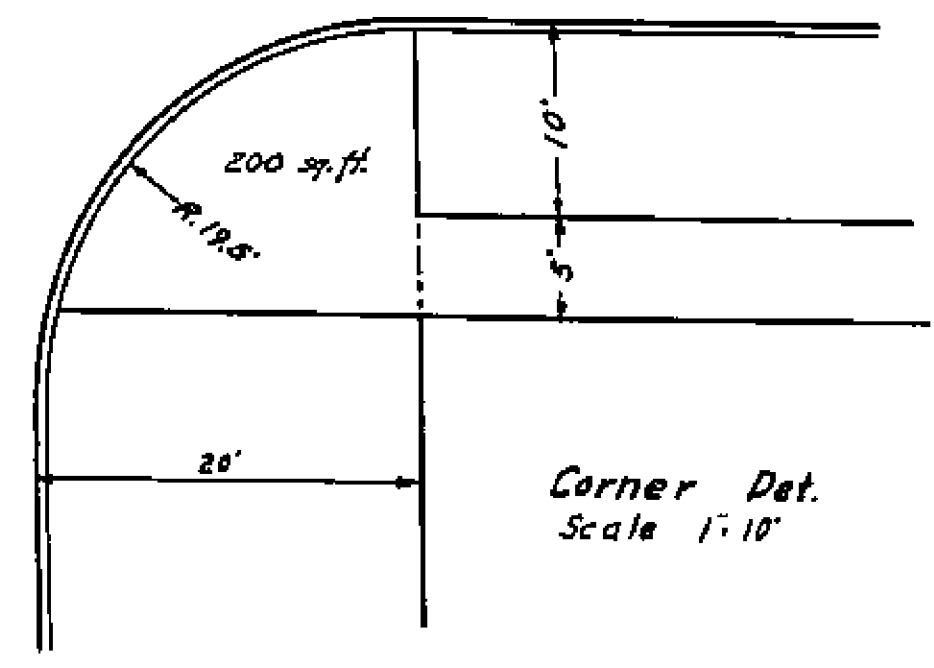
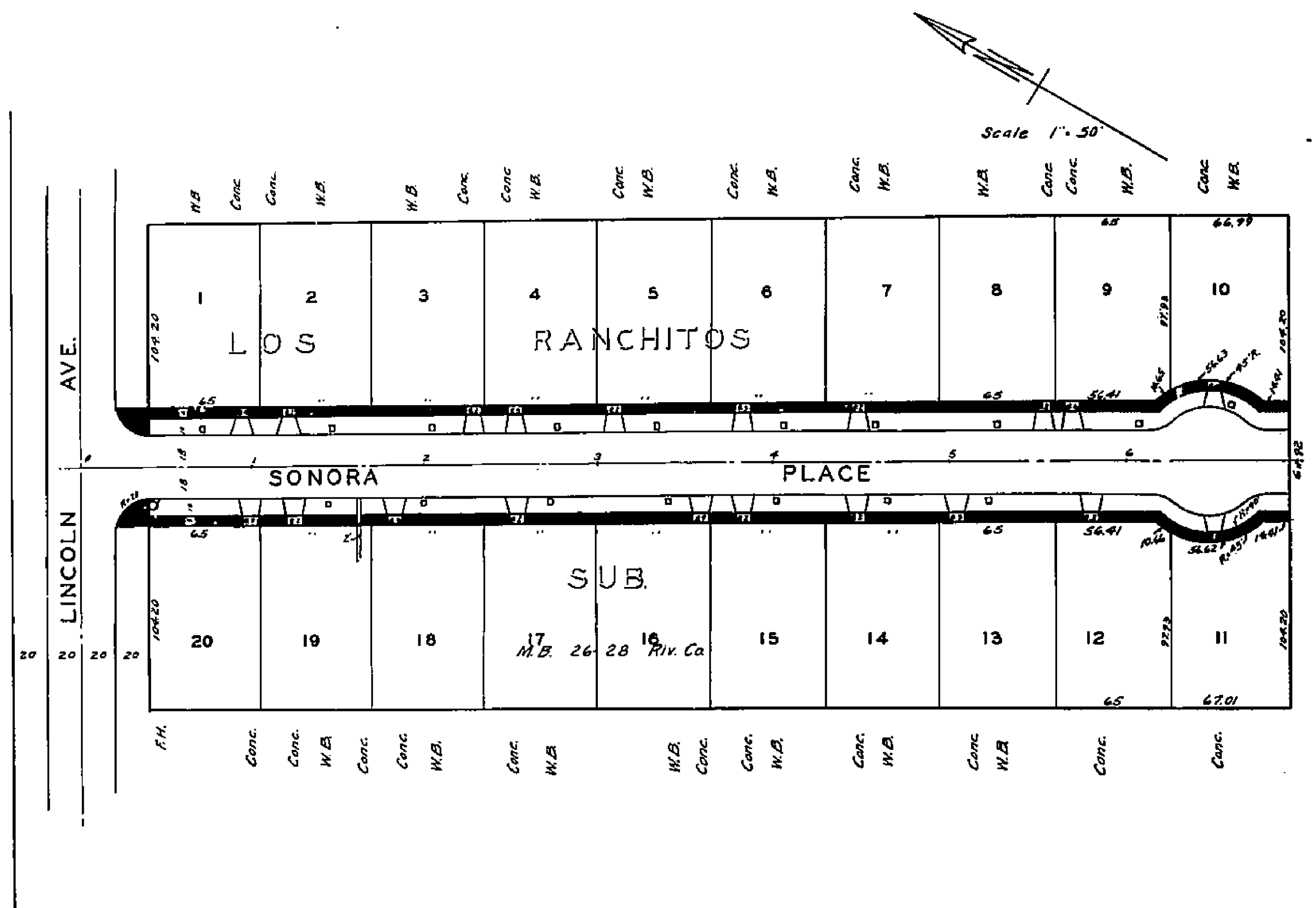
Scale

1" = 100'

1476

PLAN NO 1476
 FOR THE CONSTRUCTION OF
 CONCRETE SIDEWALKS
 IN THE
SONORA PLACE
IMPROVEMENT DISTRICT

RIVERSIDE, CALIFORNIA
 DISTRICT BOUNDARY SHOWN THUS ————
 SCALE 1 IN. = 50 FT.
 FB. 54B-67
 SEPTEMBER, 1954
 APPROVED: _____
 M.H. IRVINE - REG. C.E. NO. 3011



1476