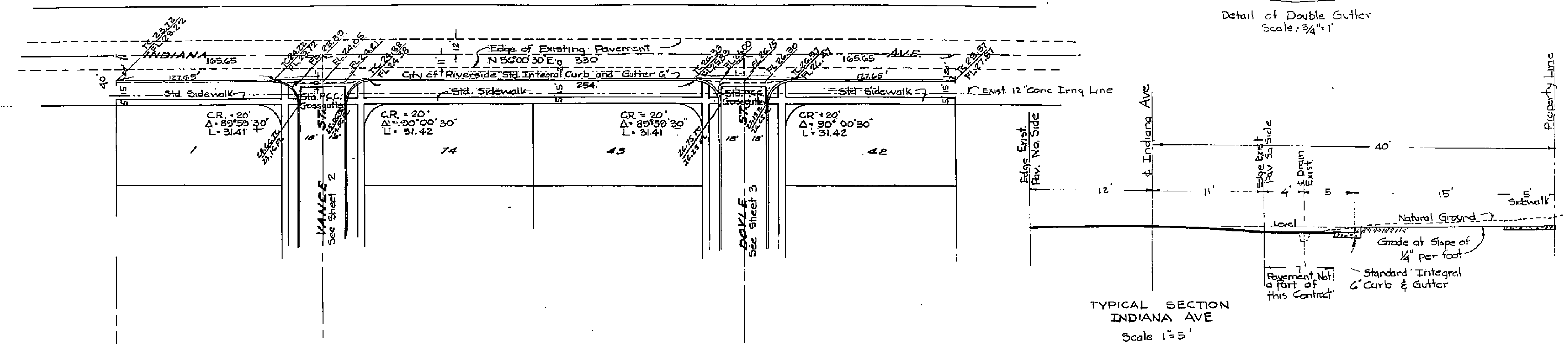
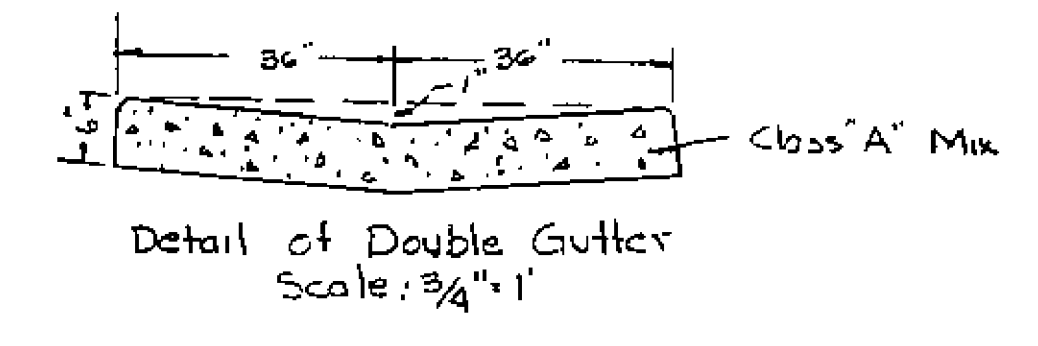
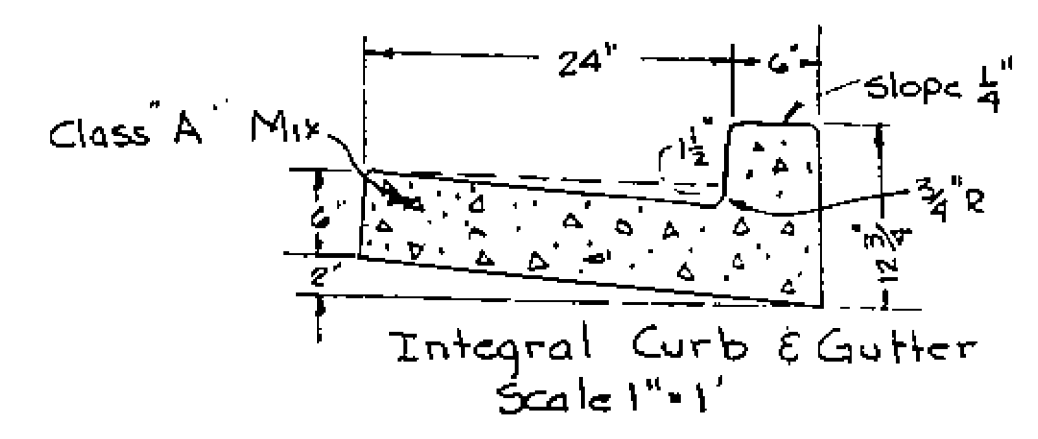


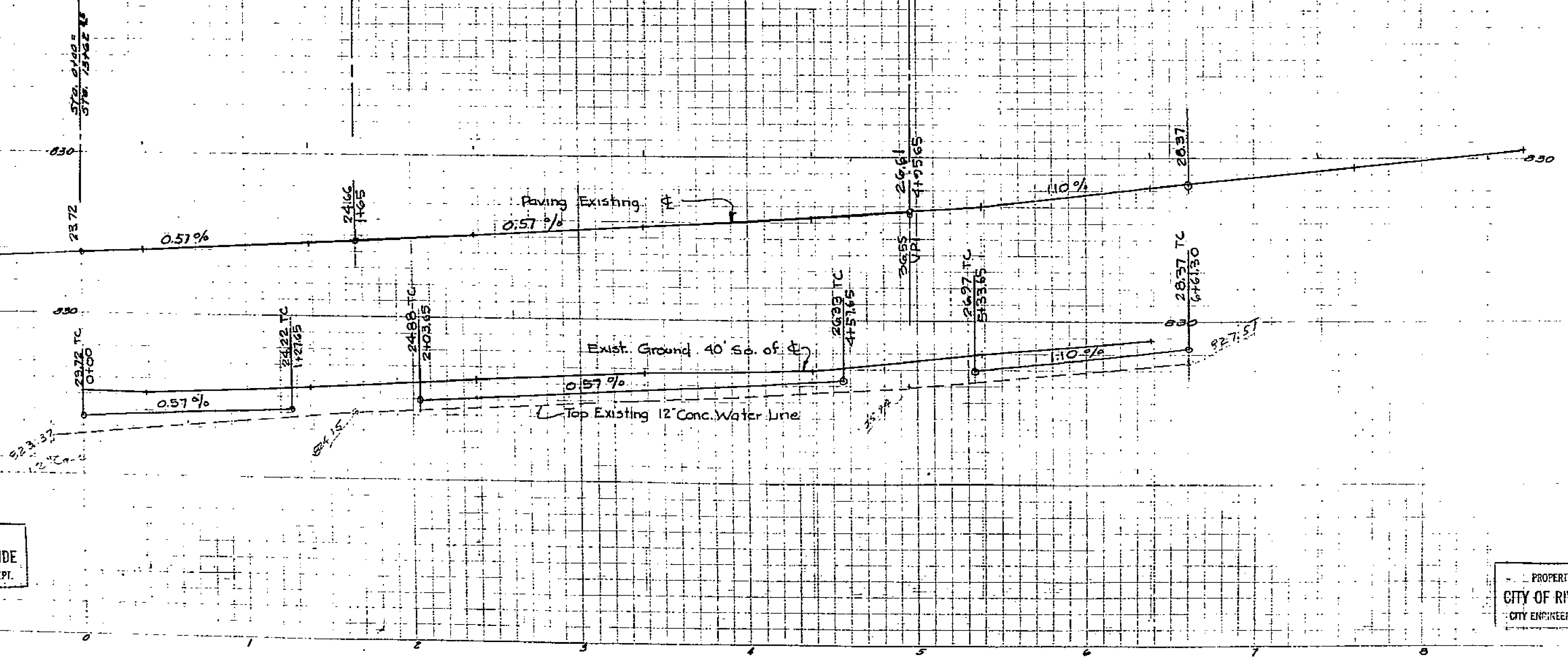
PROPERTY OF
CITY OF RIVERSIDE
CITY ENGINEERING DEPT.

PROPERTY OF
CITY OF RIVERSIDE
CITY ENGINEERING DEPT.

1485



Sheet 1 of 3 Sheets



Approved by M. H. Irvine
City Engineer

PLAN & PROFILE
HARMONY-DALE TRACT
INDIANA AVE.

JANUARY 1954 J.F. DAVIDSON, C.E.

SCALE:
HOR. 1" = 40'
VERT. 1" = 4'

PROPERTY OF
CITY OF RIVERSIDE
CITY ENGINEERING DEPT.

PROPERTY OF
CITY OF RIVERSIDE
CITY ENGINEERING DEPT.

1485

ED. 445-1.5 1485

MADE IN U.S.A.
LEARRBRIHT PAPER CO.
GREEN BIRTH, MONTE BIRM RATE