

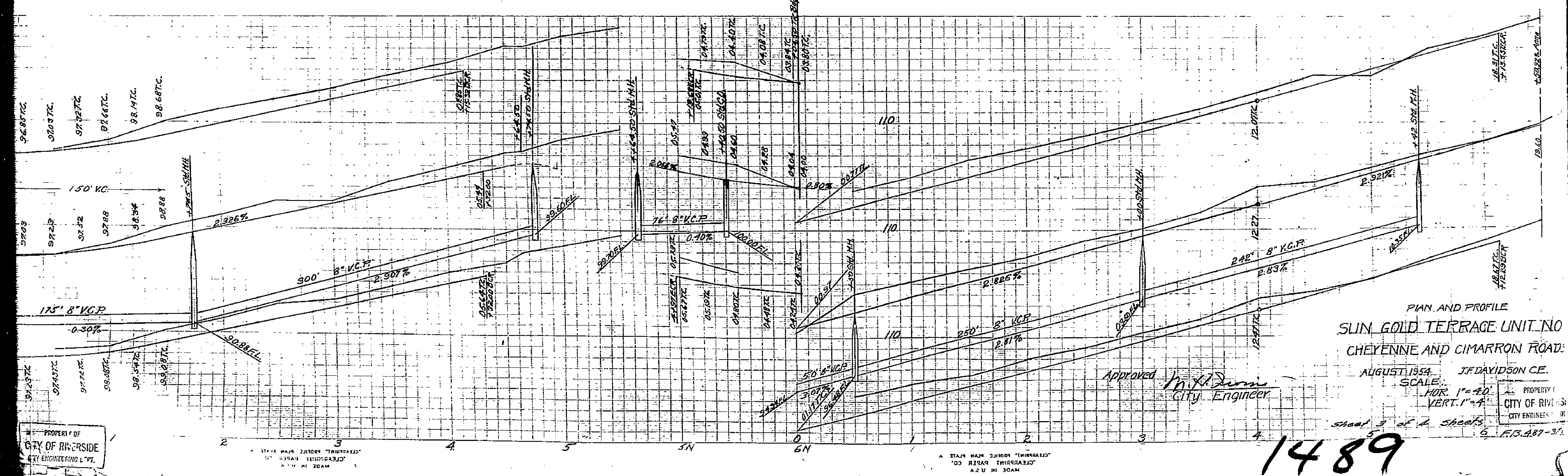
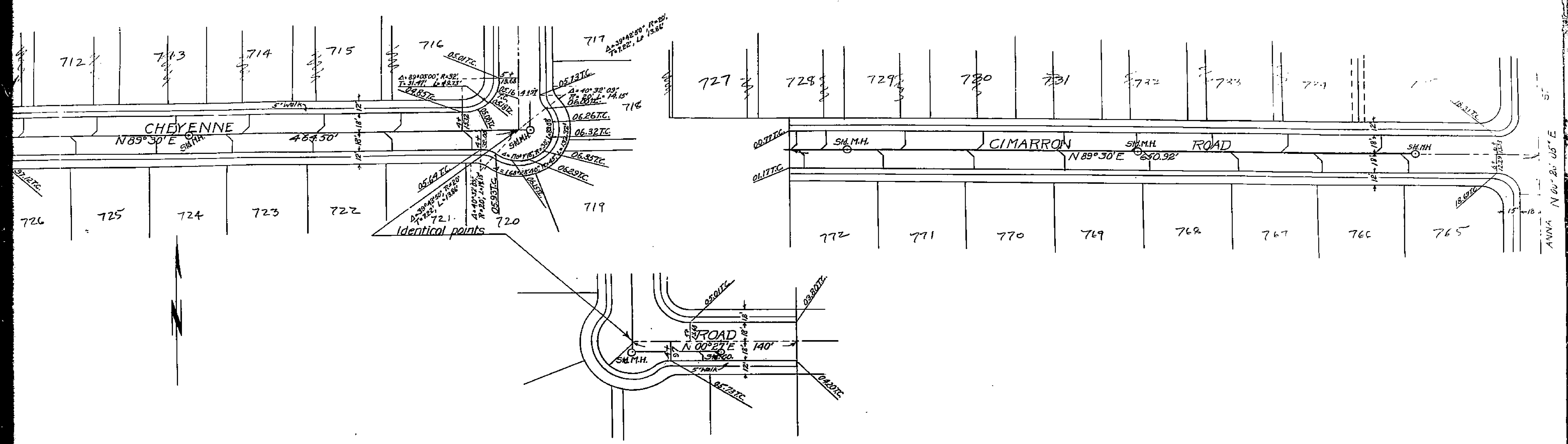
PLAN AND PROFILE
SUN GOLD TERRACE UNIT NO. 11
SHENANDOAH ROAD

Approved *M. H. Duane*
City Engineer

AUGUST 1954 J. F. DAVIDSON CE
SCALE: HOR. 1"=40', VERT. 1"=4'

Sheet 2 of 2 sheets

1489



PLAN AND PROFILE
SUN GOLD TERRACE UNIT NO.
CHEYENNE AND CIMARRON ROAD

Approved *J.F. Davidson*
City Engineer

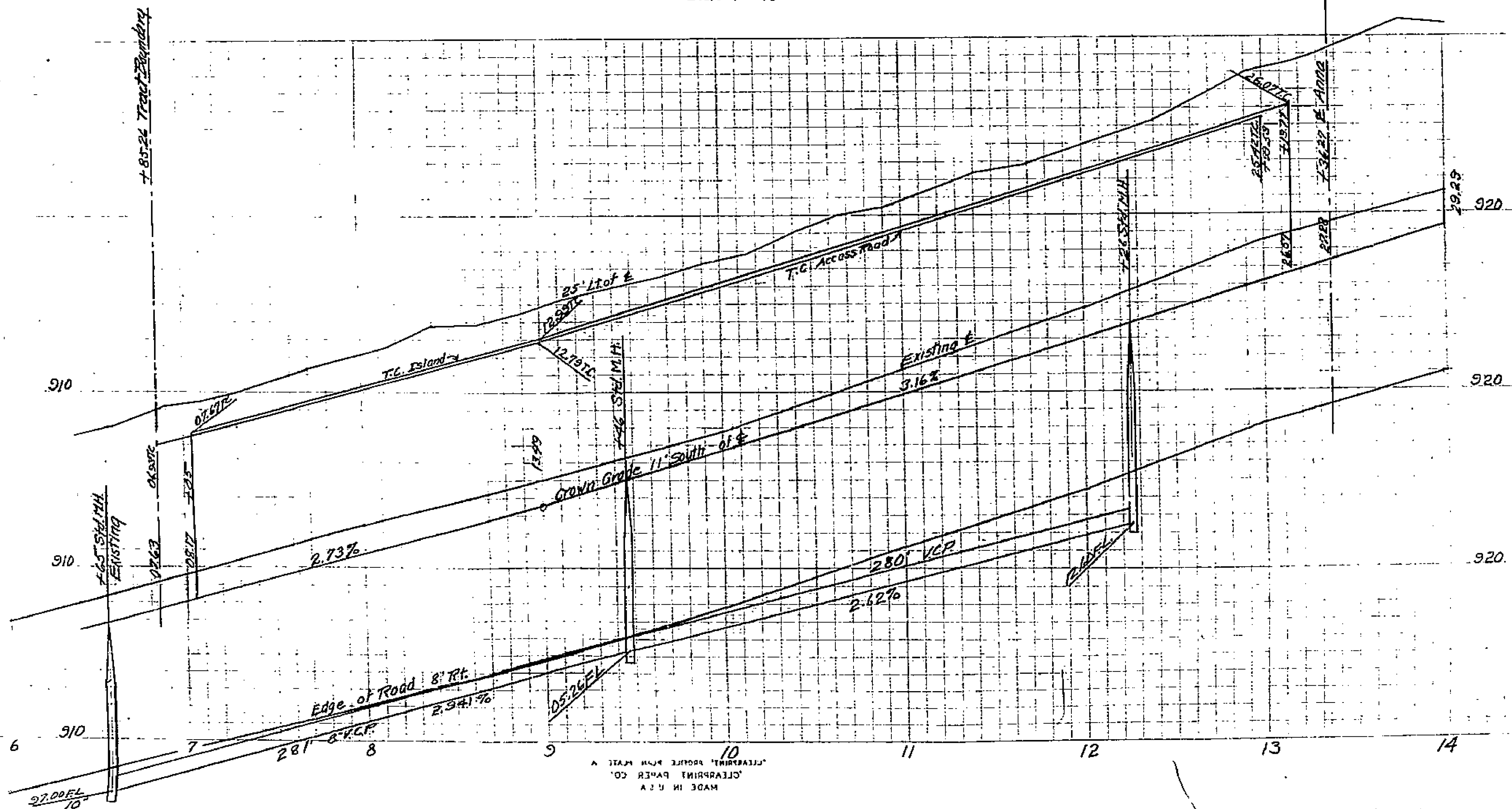
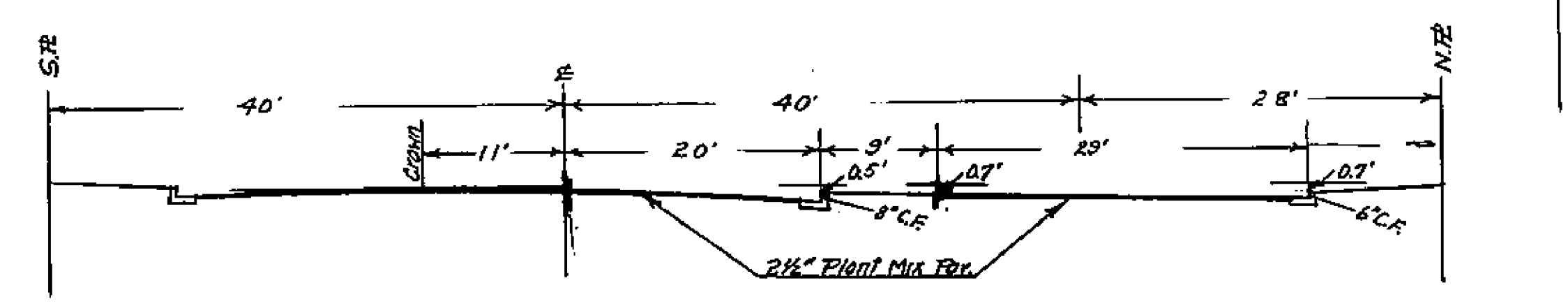
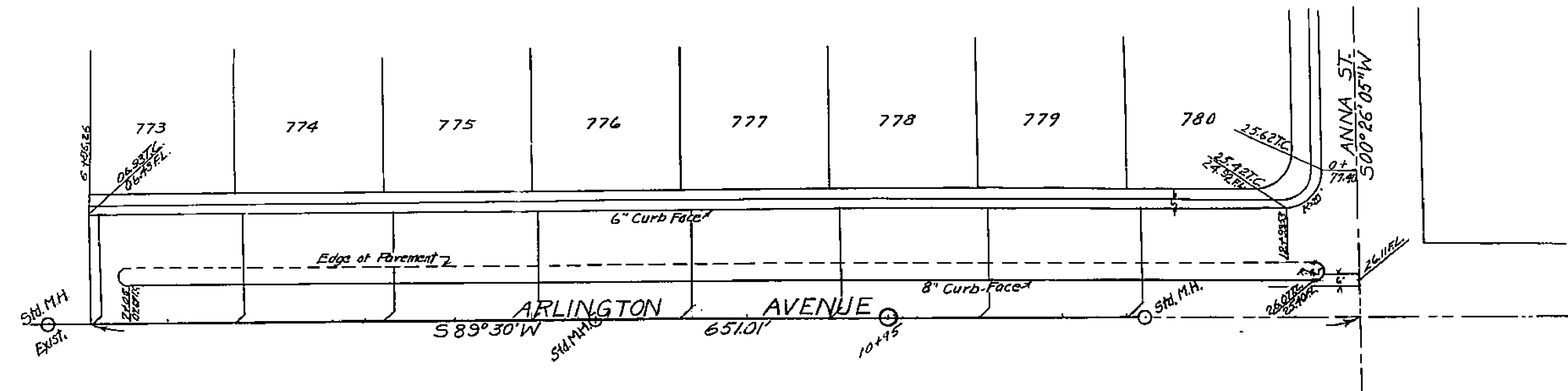
AUGUST 1854 J.F. DAVIDSON C.E.
SCALE:
HOR. 1"=40'
VERT. 1"=4'

Sheet 5 of 4 Sheets
F.B. 87-3/1

1489

PROPERTY OF
CITY OF RIVERSIDE
ENGINEERING DEPT.

CITY OF RIVERSIDE



Approved M. H. Durbin
City Engineer

PLAN AND PROFILE
SUN GOLD TERRACE UNIT NO. 11
ARLINGTON AVENUE
AUGUST 1954 J.F. DAVIDSON C.E.
SCALE:
HOR. 1" = 40', VERT. 1" = 4'

1489
Sheet 1 of 2 sheets
Reimb. Cont. # 14

PROPERTY OF
CITY OF RIVERSIDE
ENGINEERING DEPT.

PROPERTY OF
CITY OF RIVERSIDE
ENGINEERING DEPT.