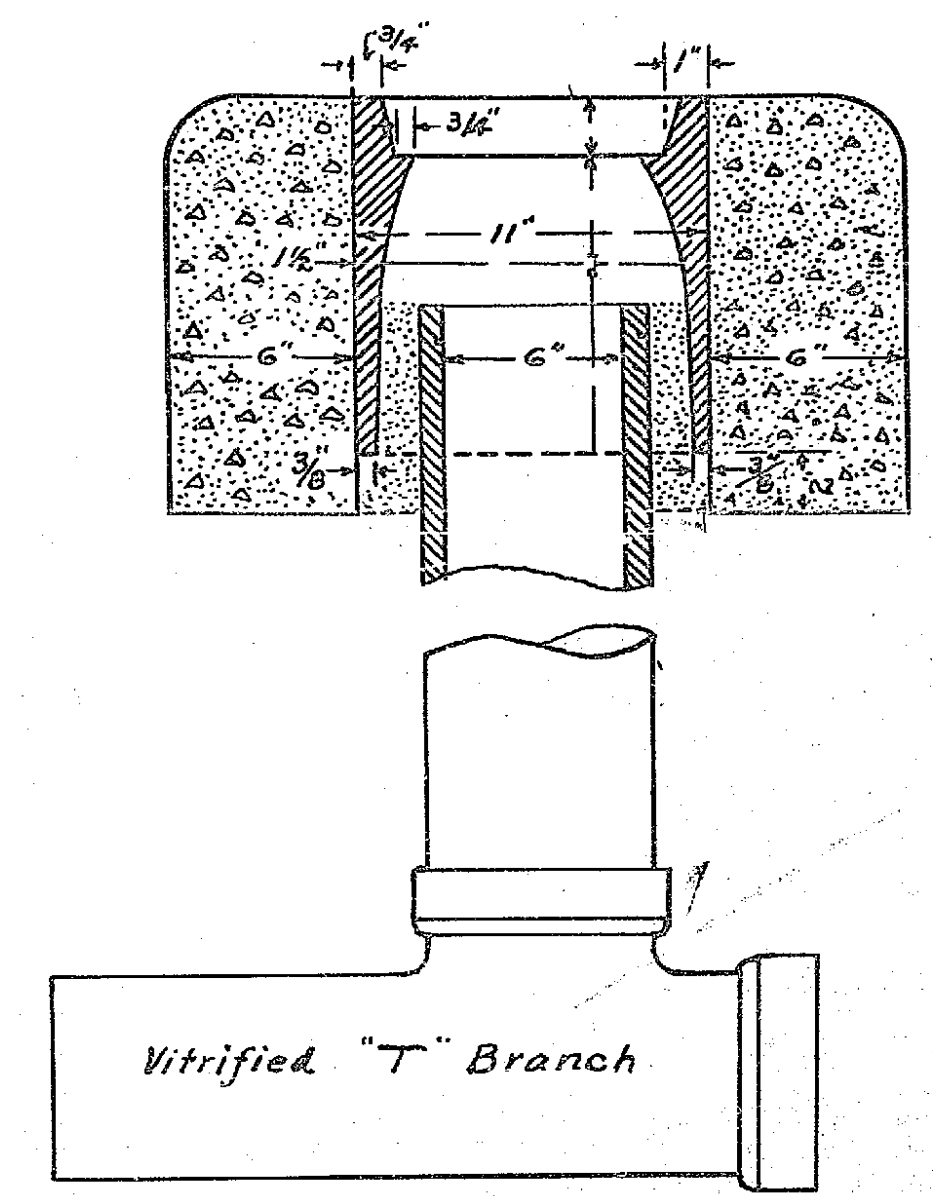
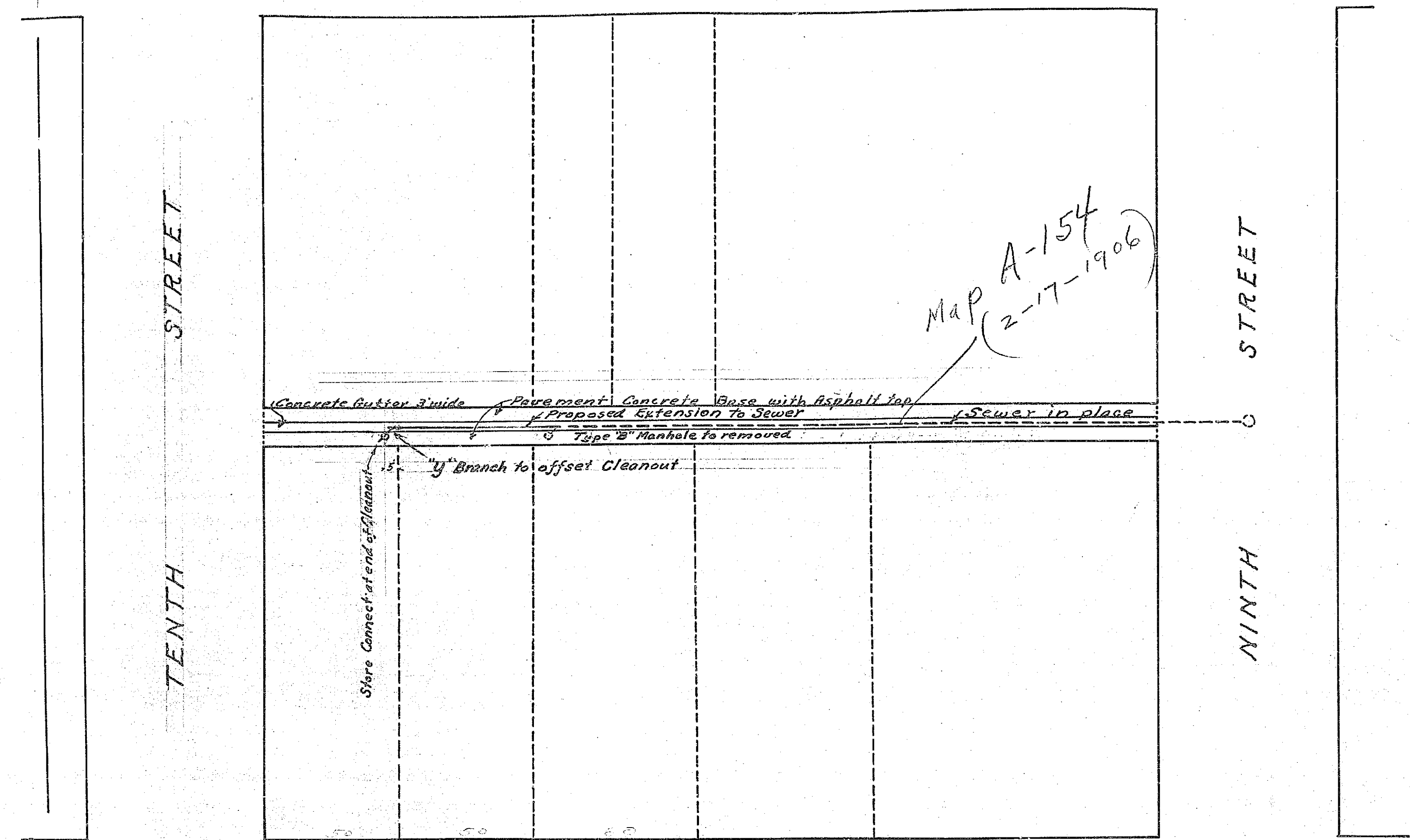


MAP OF PROPOSED SEWER EXTENSION IN
 BLOCK 9 RANGE 6
 A.P. CAMPBELL, CITY ENGINEER. 1927.

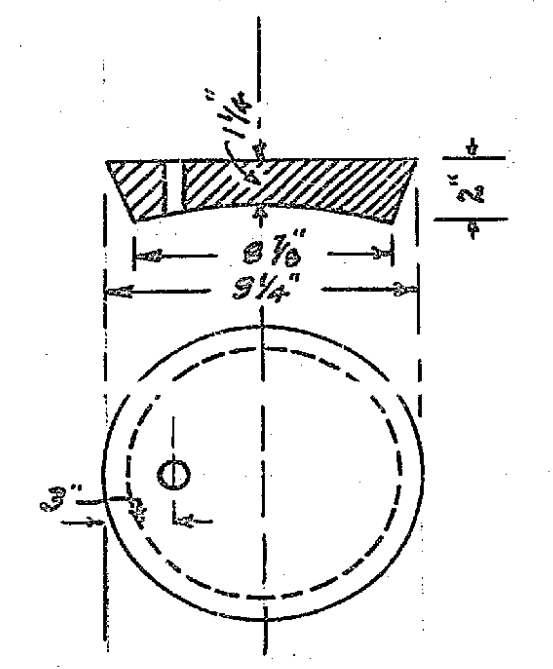
SCALE
 1 INCH = 40 FEET.

Adopted by the Mayor and Common Council
 this _____ day of _____ 1927.

Attest: _____
 Clerk of the City of Riverside.



DETAIL OF CLEANOUT



DETAIL OF CLEANOUT COVER

Note: Frame casting with cover to weigh not less than 90 pounds.

