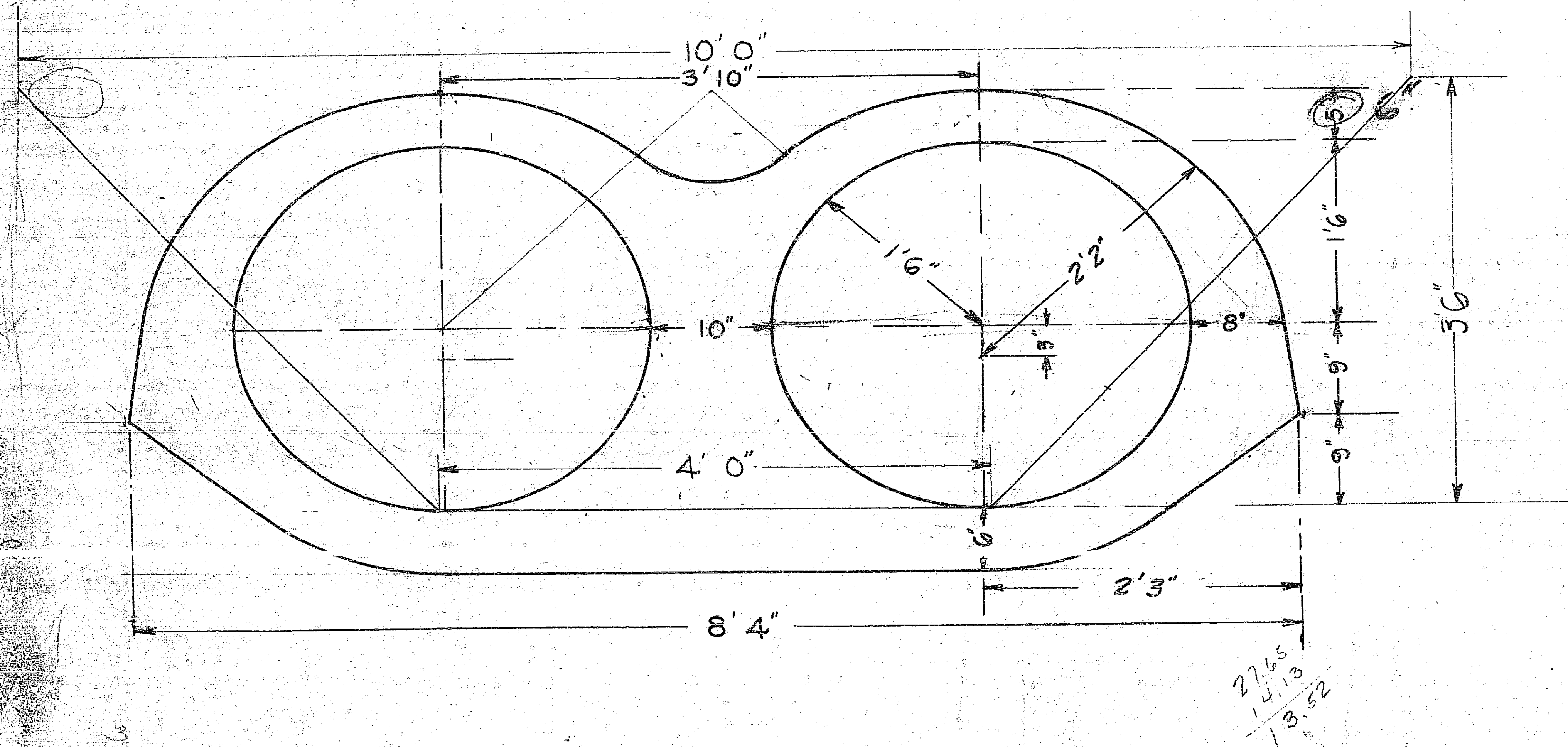


Van Buren St & Gage Canal

Scale ~ 1" = 1'



Outside H.W.
H.W 27' E on E
H.W 43' W

326

Section "A-A"
Gage Canal Culvert
Van Buren St (Extension)