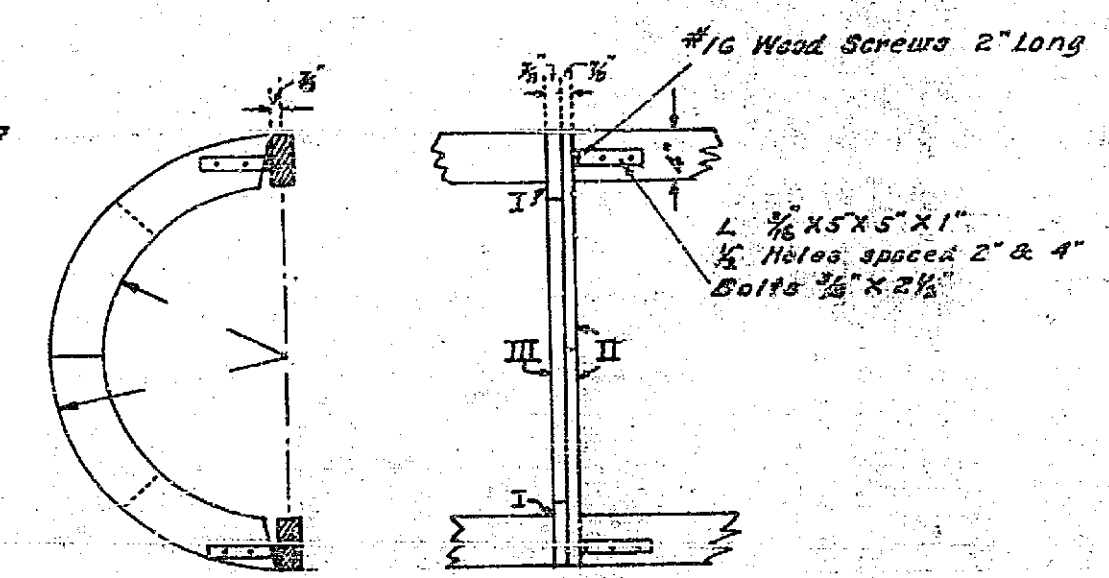
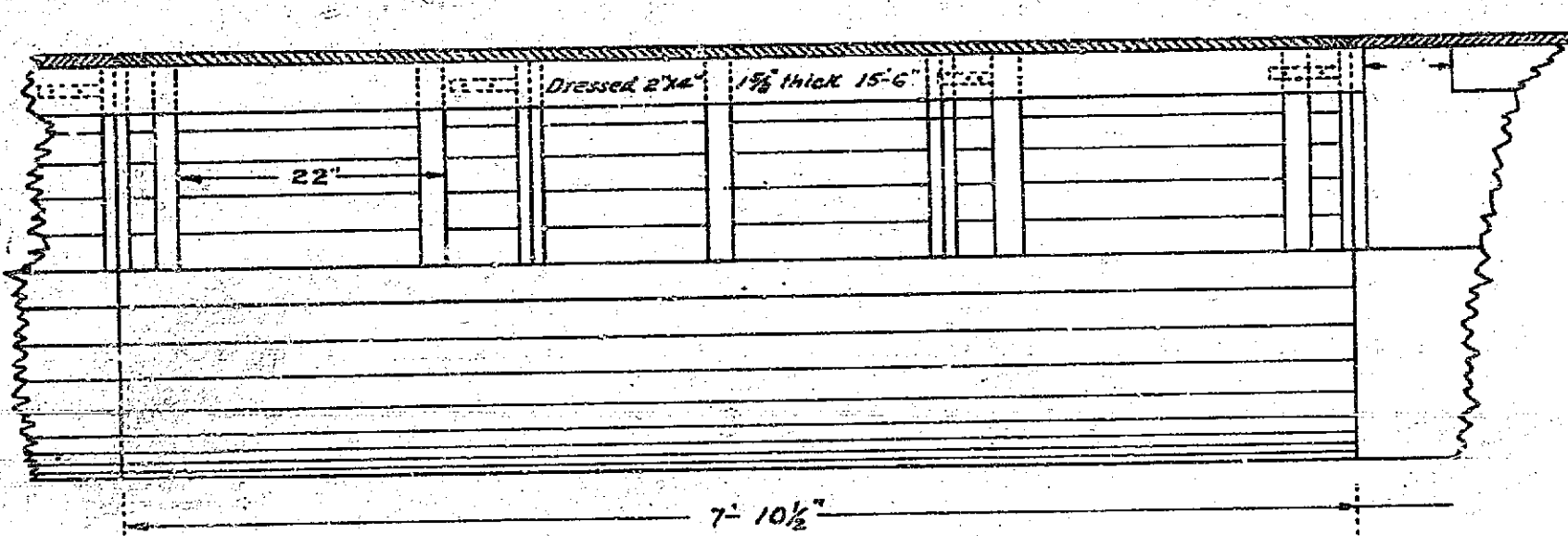


#1 Common T. & G. Flooring, 3/4" wide.
Application of Stainless Oil



Inside forms 94'-6" Long	36"	42"	48"	54"	66"	72"
Circles for Skeleton Forms	144 pcs. 2 1/2" X 2 1/2"	144 pcs. 3" X 3"	144 pcs. 3 1/2" X 3 1/2"	144 pcs. 4" X 4"	144 pcs. 4 1/2" X 4 1/2"	144 pcs. 5" X 5"
Panel Ribs	240 pcs. 2" X 2 1/2"	240 pcs. 2" X 2 1/2"	240 pcs. 2" X 2 1/2"	240 pcs. 2" X 2 1/2"	240 pcs. 2" X 2 1/2"	240 pcs. 2" X 2 1/2"
Lagging	360 F.L.B.M.	360 F.L.B.M.	360 F.L.B.M.	360 F.L.B.M.	360 F.L.B.M.	360 F.L.B.M.
Stringers	12 pcs. 2" X 4"	12 pcs. 2" X 4"	12 pcs. 2" X 4"	12 pcs. 2" X 4"	12 pcs. 2" X 4"	12 pcs. 2" X 4"
Angle Irons	144 pcs. 3" X 3"	144 pcs. 3" X 3"	144 pcs. 3" X 3"	144 pcs. 3" X 3"	144 pcs. 3" X 3"	144 pcs. 3" X 3"
Bolts	288 3/4" X 2 1/2"	288 3/4" X 2 1/2"	288 3/4" X 2 1/2"	288 3/4" X 2 1/2"	288 3/4" X 2 1/2"	288 3/4" X 2 1/2"
Screws	288 1/2" X 2 1/2"	288 1/2" X 2 1/2"	288 1/2" X 2 1/2"	288 1/2" X 2 1/2"	288 1/2" X 2 1/2"	288 1/2" X 2 1/2"
Outside forms 47'-3" Long	144 pcs. 2" X 4"	144 pcs. 2" X 4"	144 pcs. 2" X 4"	144 pcs. 2" X 4"	144 pcs. 2" X 4"	144 pcs. 2" X 4"
Lagging	360 F.L.B.M.	360 F.L.B.M.	360 F.L.B.M.	360 F.L.B.M.	360 F.L.B.M.	360 F.L.B.M.
Heckers	64 "	64 "	64 "	64 "	64 "	64 "

WOODEN FORMS FOR
STANDARD CULVERTS
CITY OF RIVERSIDE
ENG. DEPT. OCT. 1933.

329

Scale: 1" = 1'-0"