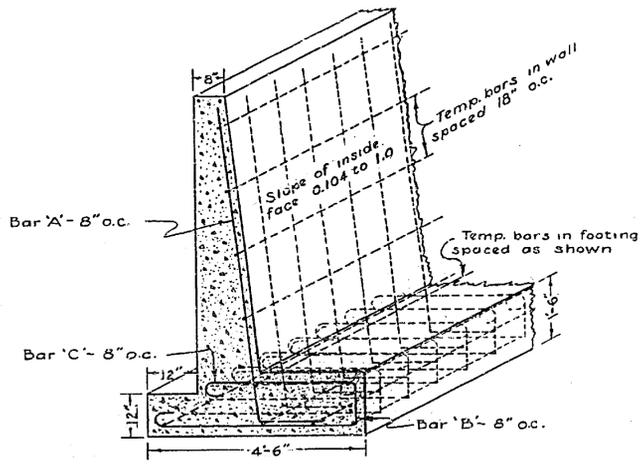
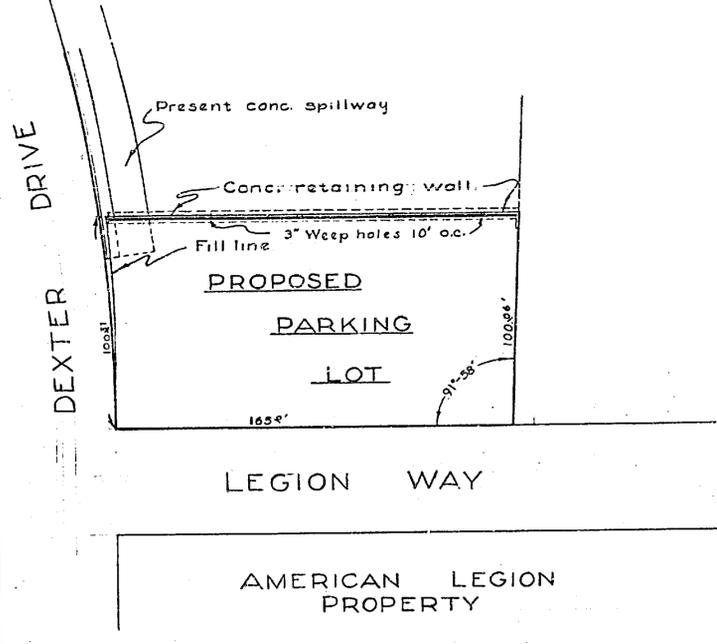
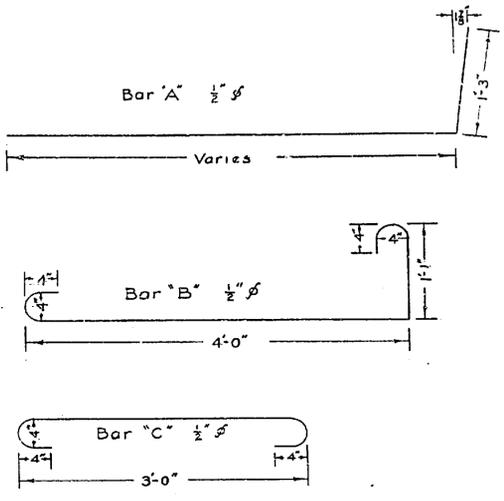


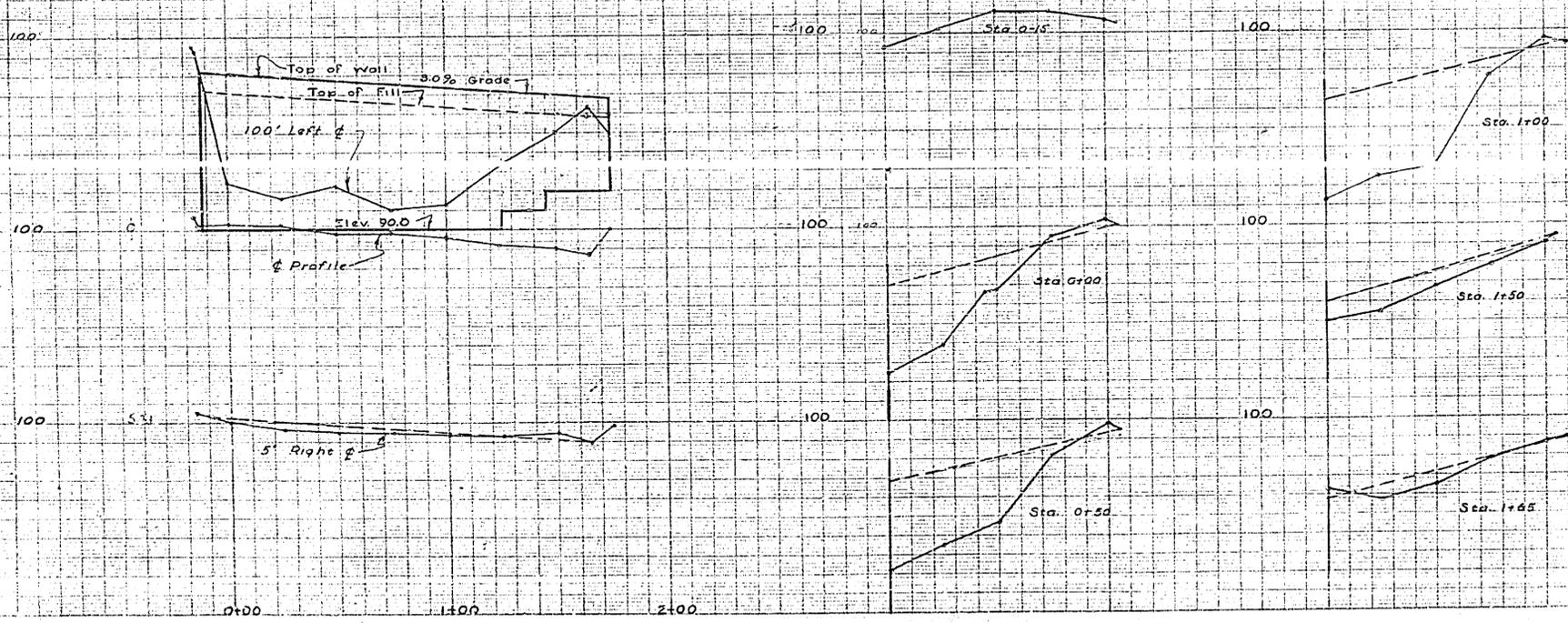
100



TYPICAL SECTION of RETAINING WALL
Scale: 1/2" = 1'-ft.



BENDING SCHEDULE



PROFILE & X-SECTION
RETAINING WALL
AMERICAN LEGION CLUB
Date: Feb. 4, 1947 Scale: Hor. 1"=40'
Vert. 1"=4'
OFFICE of CITY ENGINEER
RIVERSIDE, CALIF.

679

F.B. 414, Pg. 75

670

670