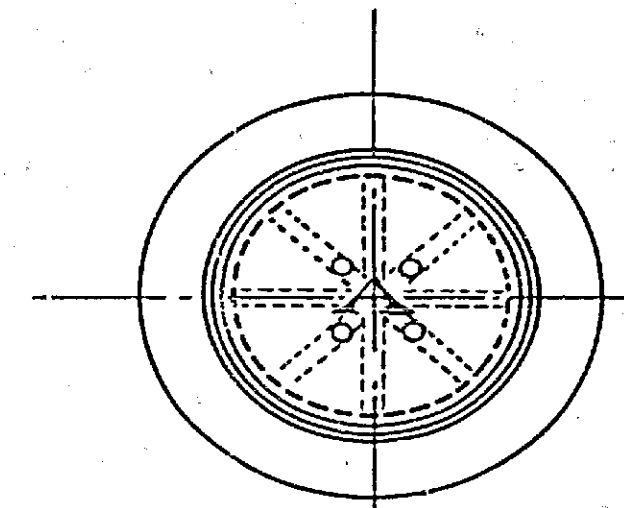
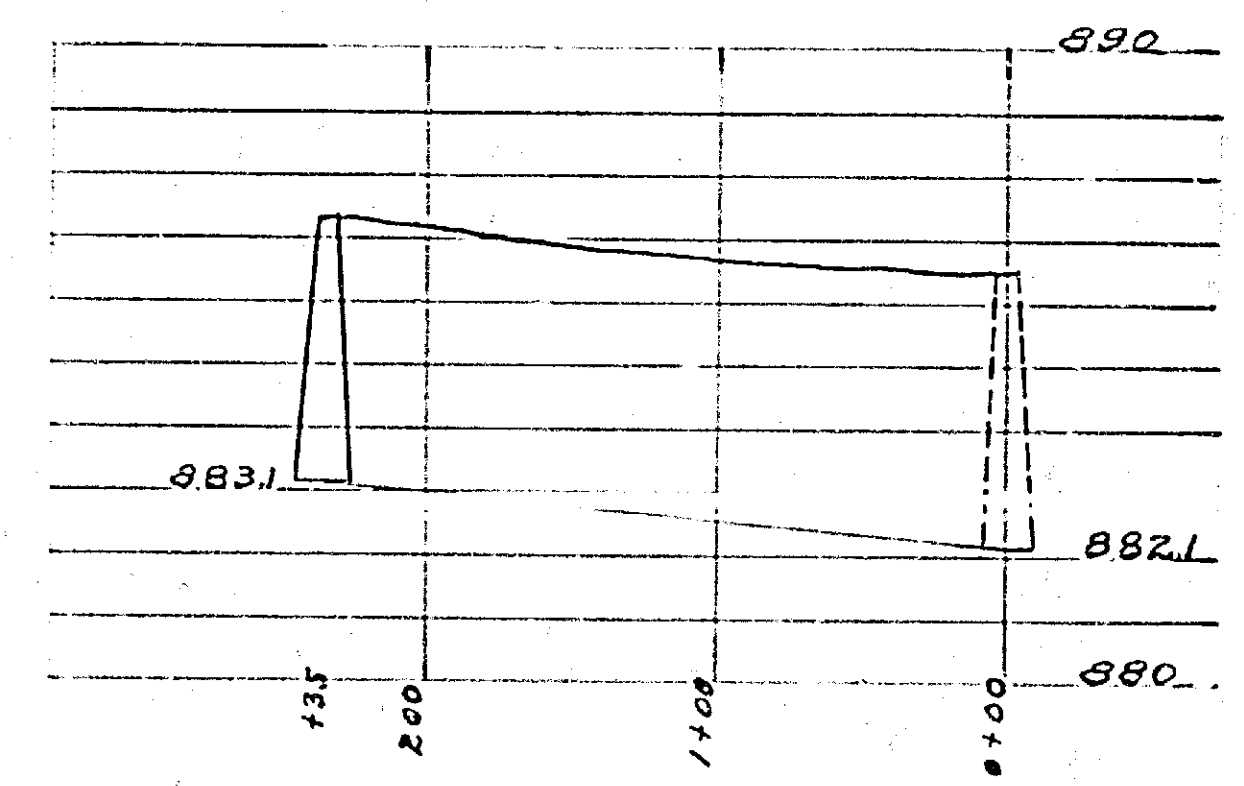
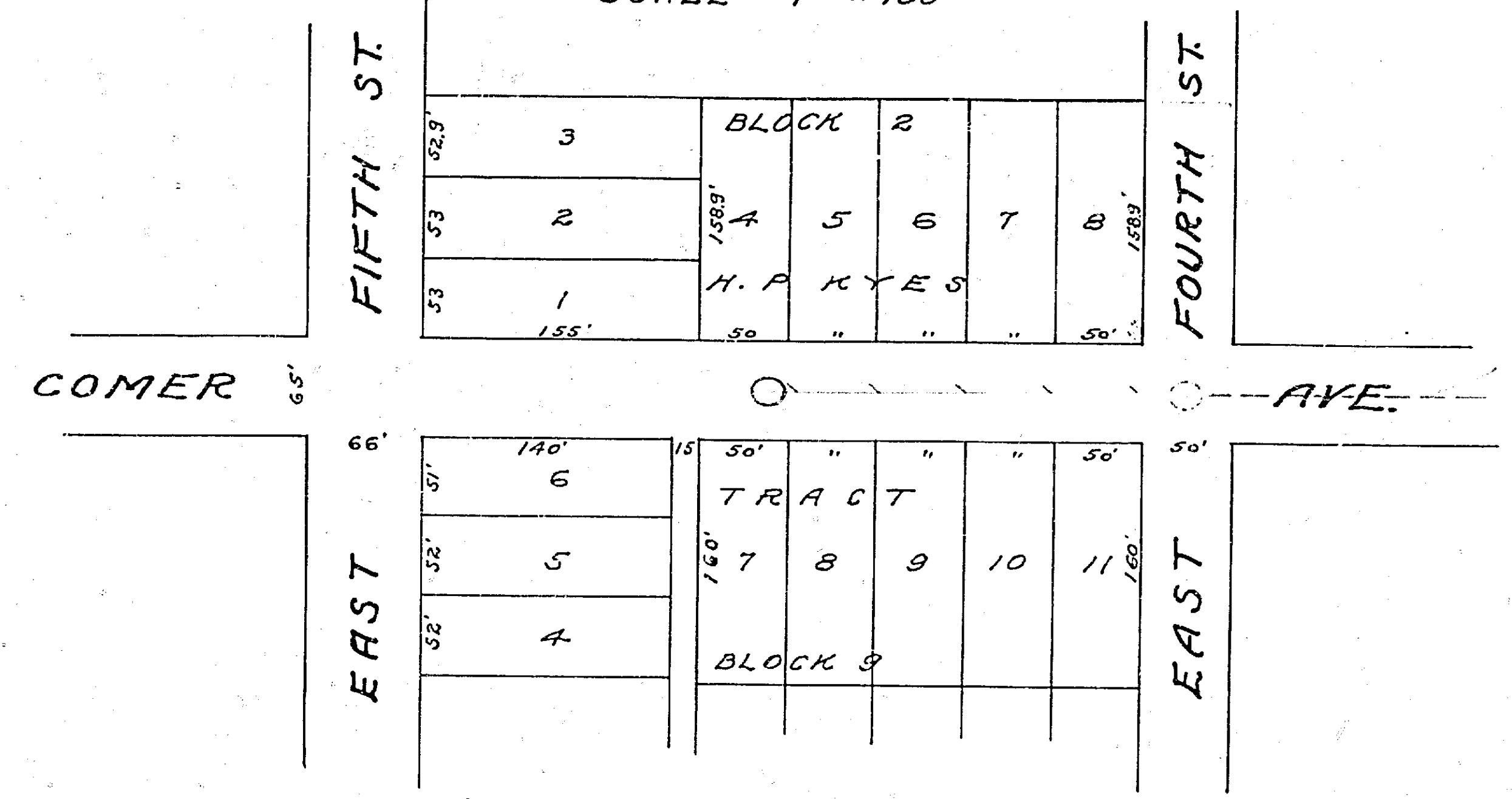
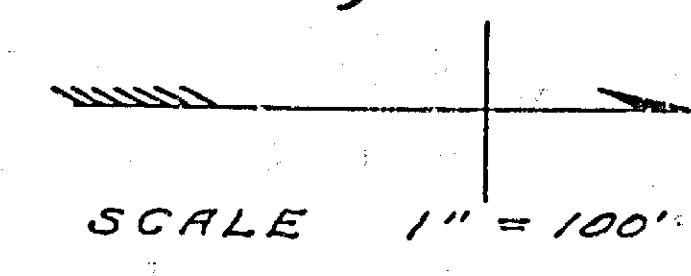


MAP SHOWING SEWER TO BE CONSTRUCTED IN  
**COMER AVE.**  
 LEE NAFZGAR, CITY ENGINEER. 1925.

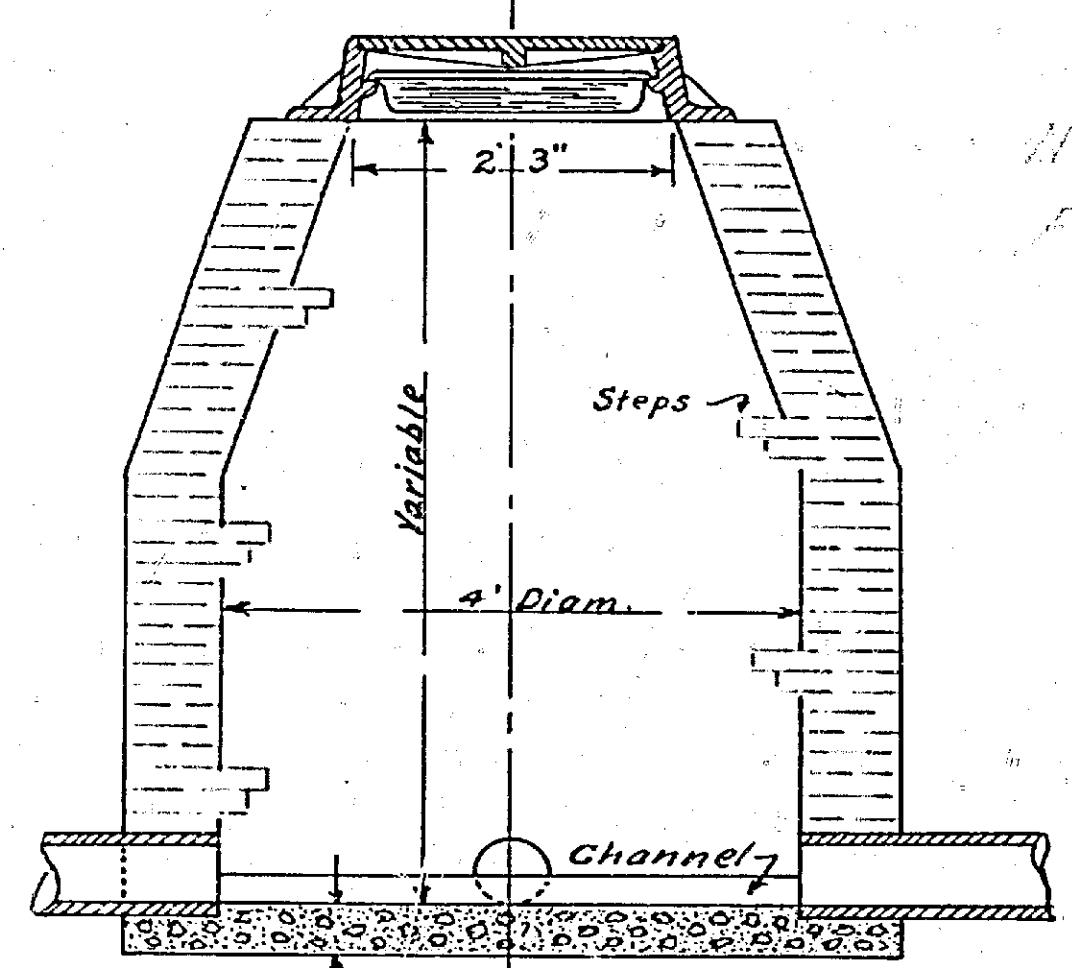
APPROVED BY THE MAYOR AND  
 THE COMMON COUNCIL OF THE  
 CITY OF RIVERSIDE THIS 30th  
 OF JUNE 1925.

*W. Burn*  
 City Clerk.

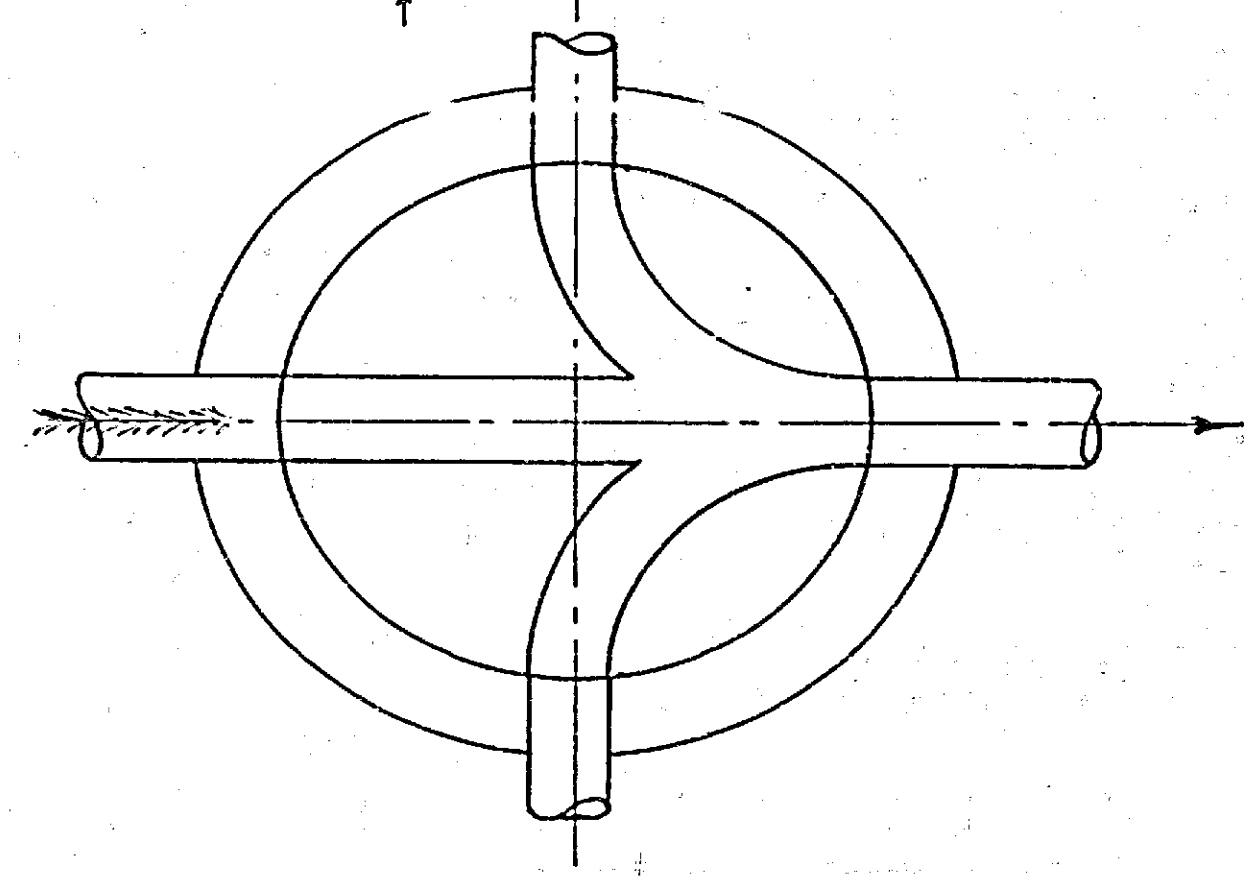


Note: See Standard Manhole Head Casting Type "A" Drawing No. 829 Approved by the Mayor and Common Council of the City of Riverside June 30, 1925.

Note:  
 Cover to weigh not less than 180 lbs.  
 Frame " " " " " 220  
 Pan " " " " " 50 "



NB See White print filed No 829 also No 113 Standard Diggs



Plan of Type "A" Manhole

LEGEND

- 6" Vitrified Sewer to be laid
- 4" X 6" Y-Branches
- Type "A" Manhole
- Sewer Constructed
- Manhole
- District benefited bounded by a yellow line, thus

