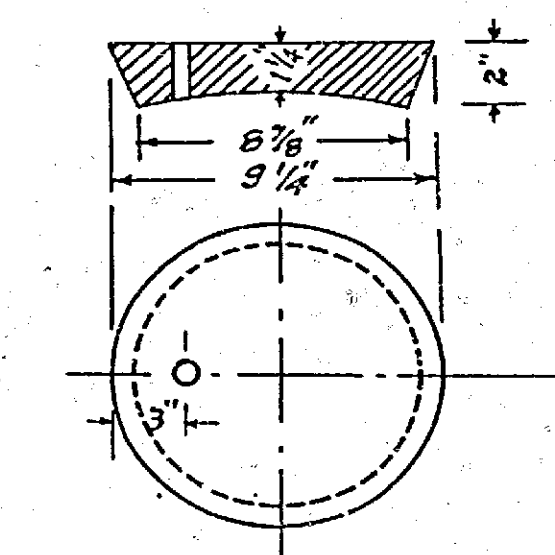
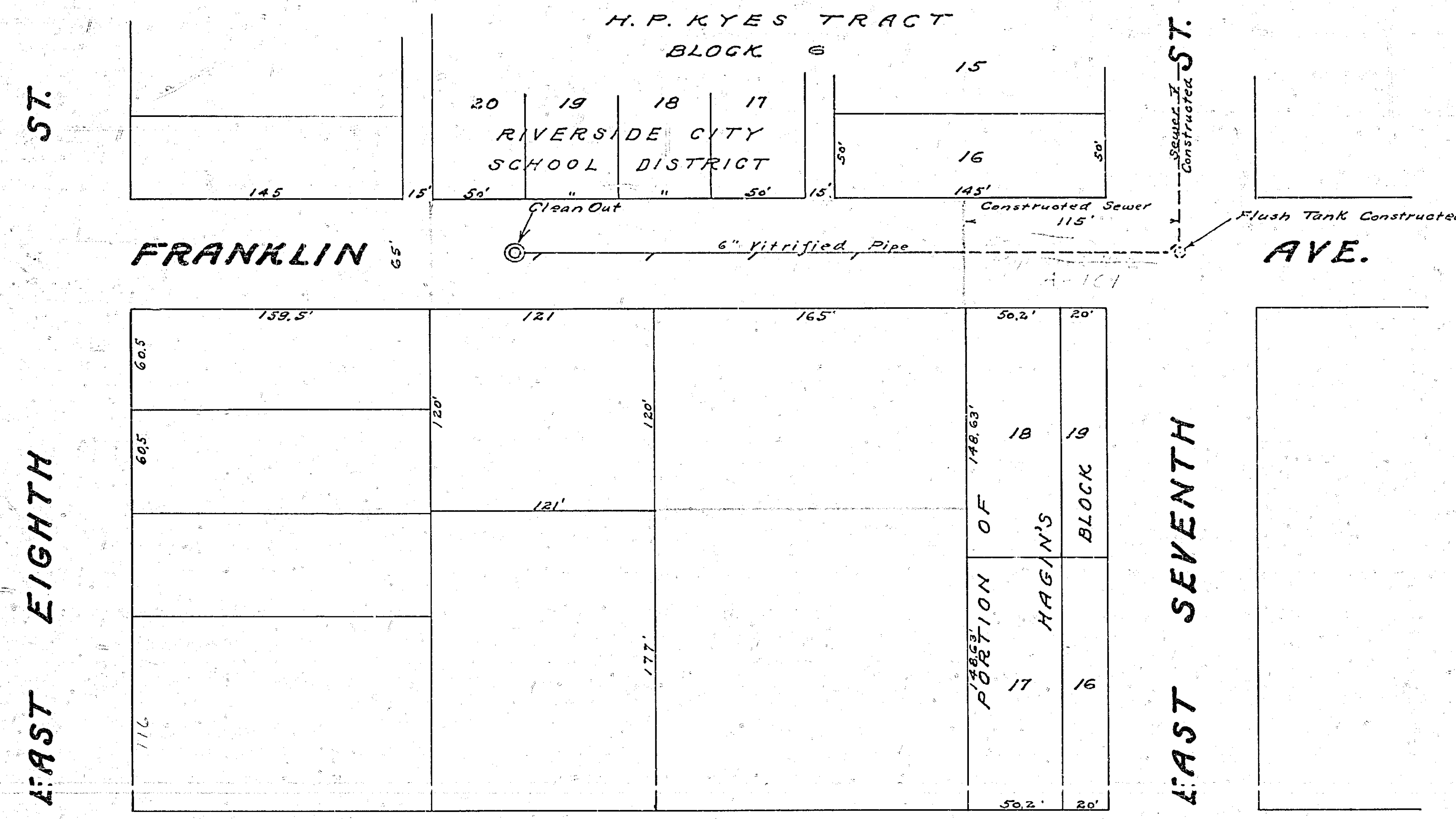
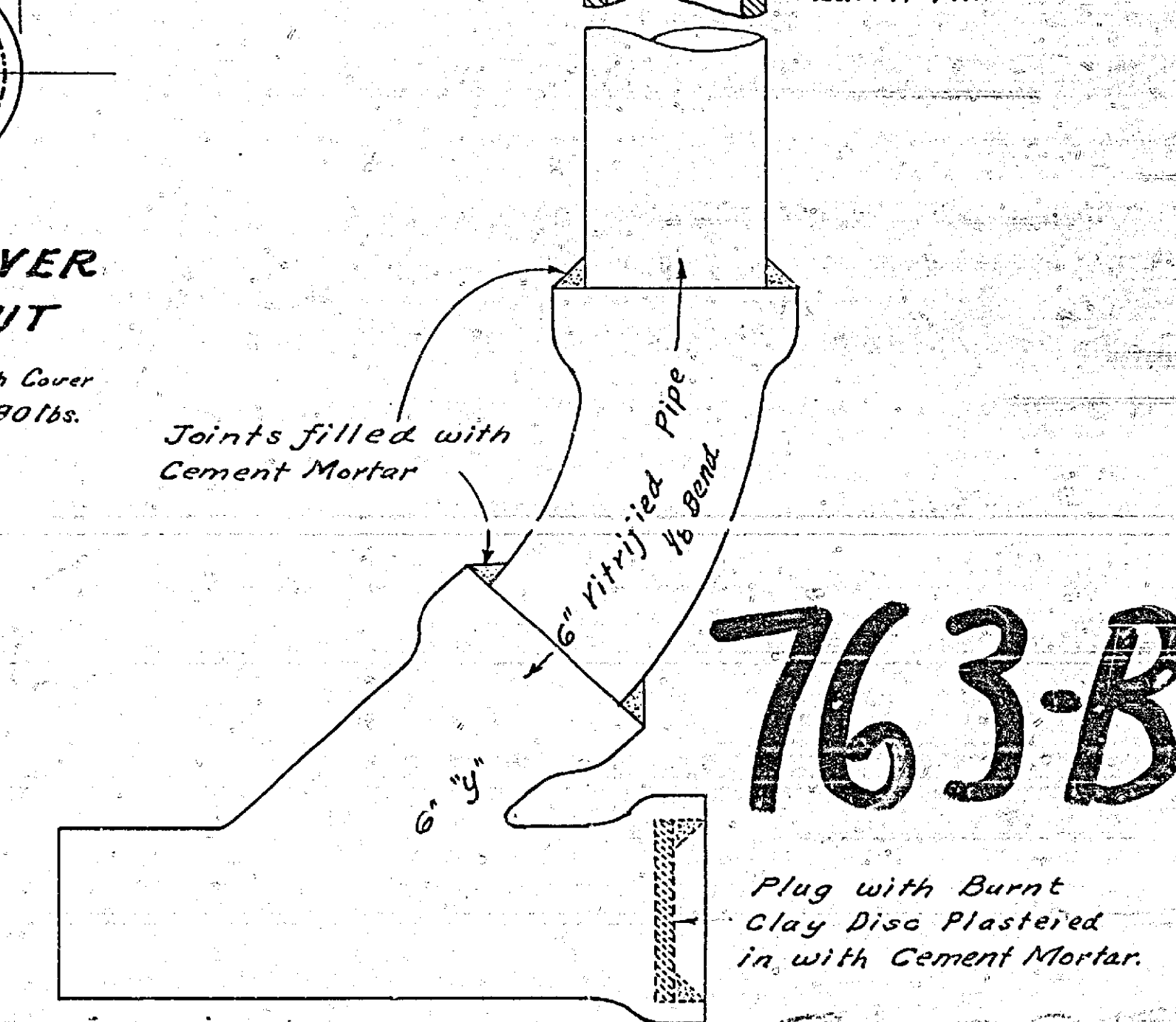
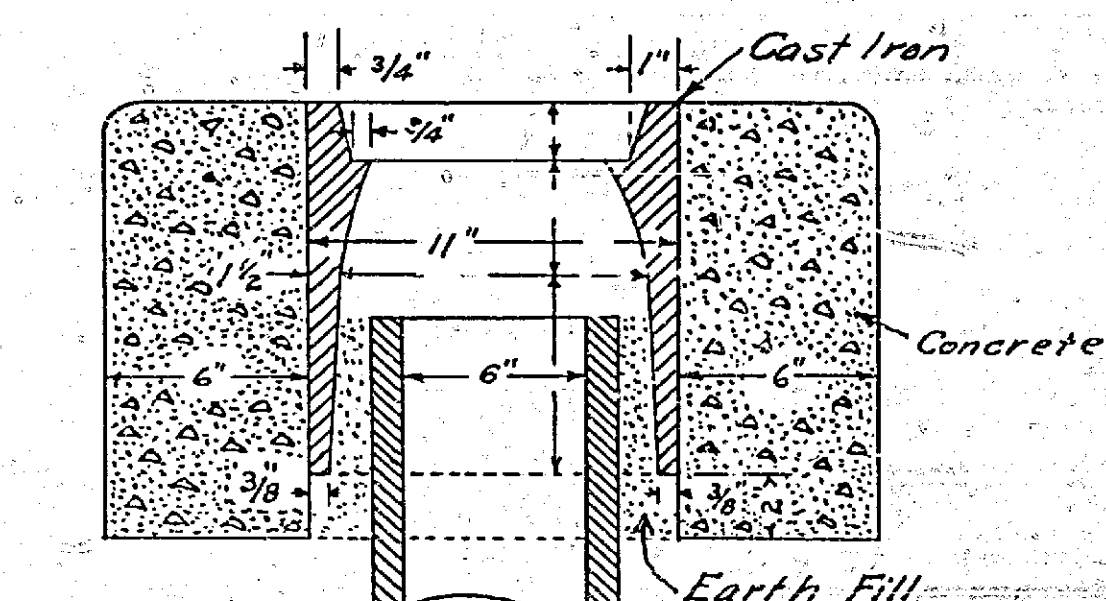


**MAP OF PROPOSED SEWER IN FRANKLIN AVE.**  
 BETWEEN EAST 7TH ST. & EAST 8TH ST.  
 A. P. CAMPBELL, CITY ENGINEER, 1926.

SCALE:  
 1 INCH HOR. = 60 FEET  
 1 INCH VER. = 6 FEET



**DETAIL OF COVER FOR CLEANOUT**  
 Note: Frame Casting with Cover to weigh not less than 90 lbs.



**DETAIL OF CLEANOUT**

**LEGEND**

- 6" Vitrified Sewer to be constructed shown thus
- 6" x 4" y's " "
- Cleanout " "
- District Boundary " "

