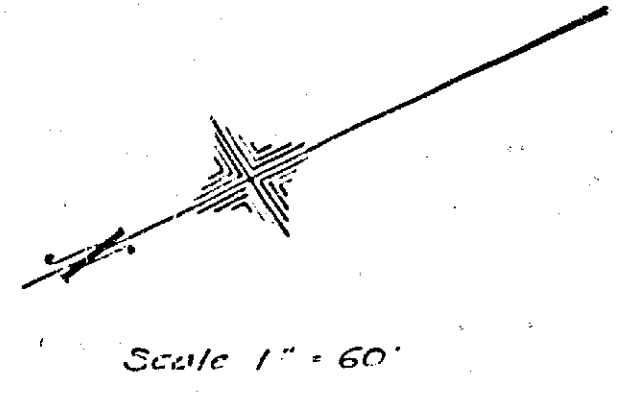
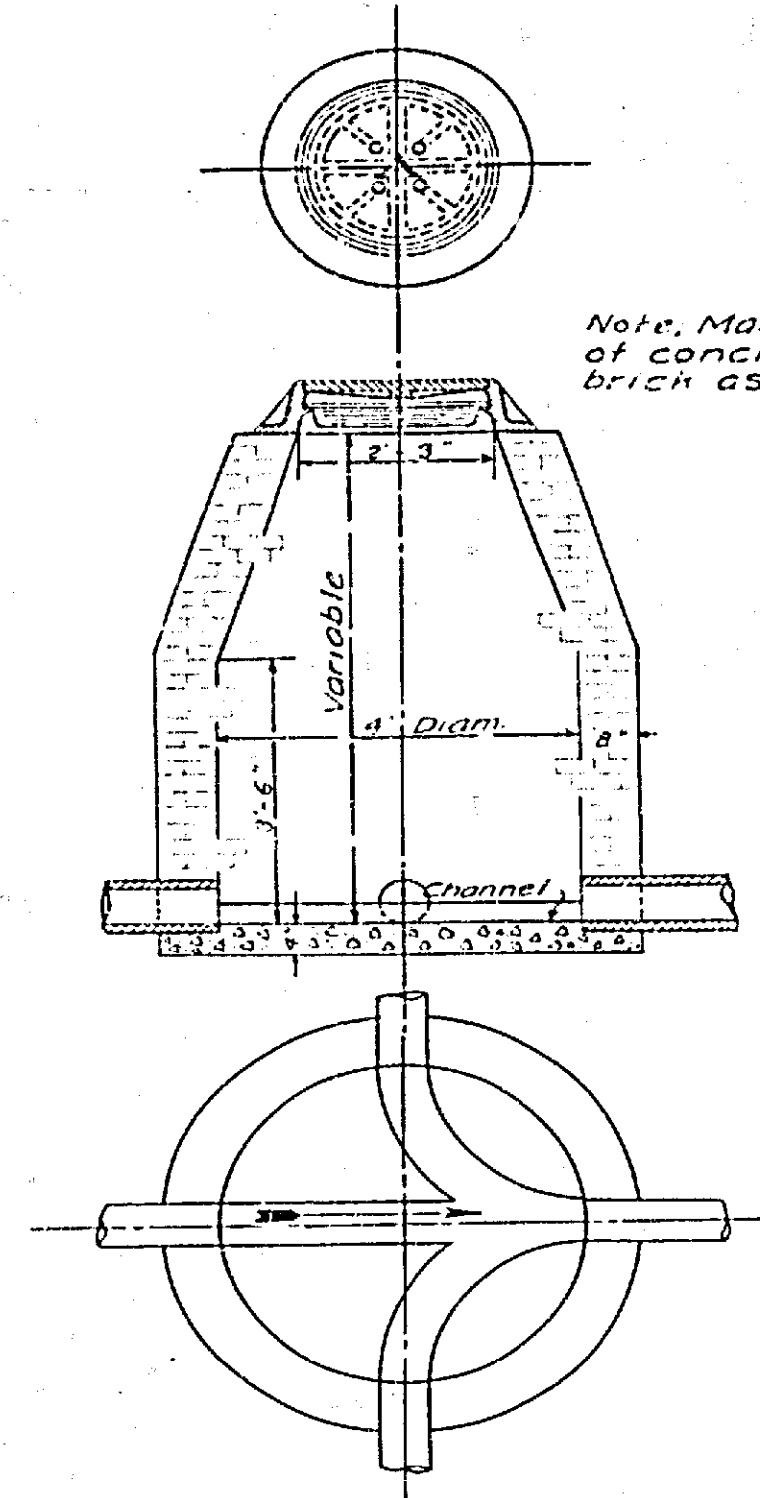
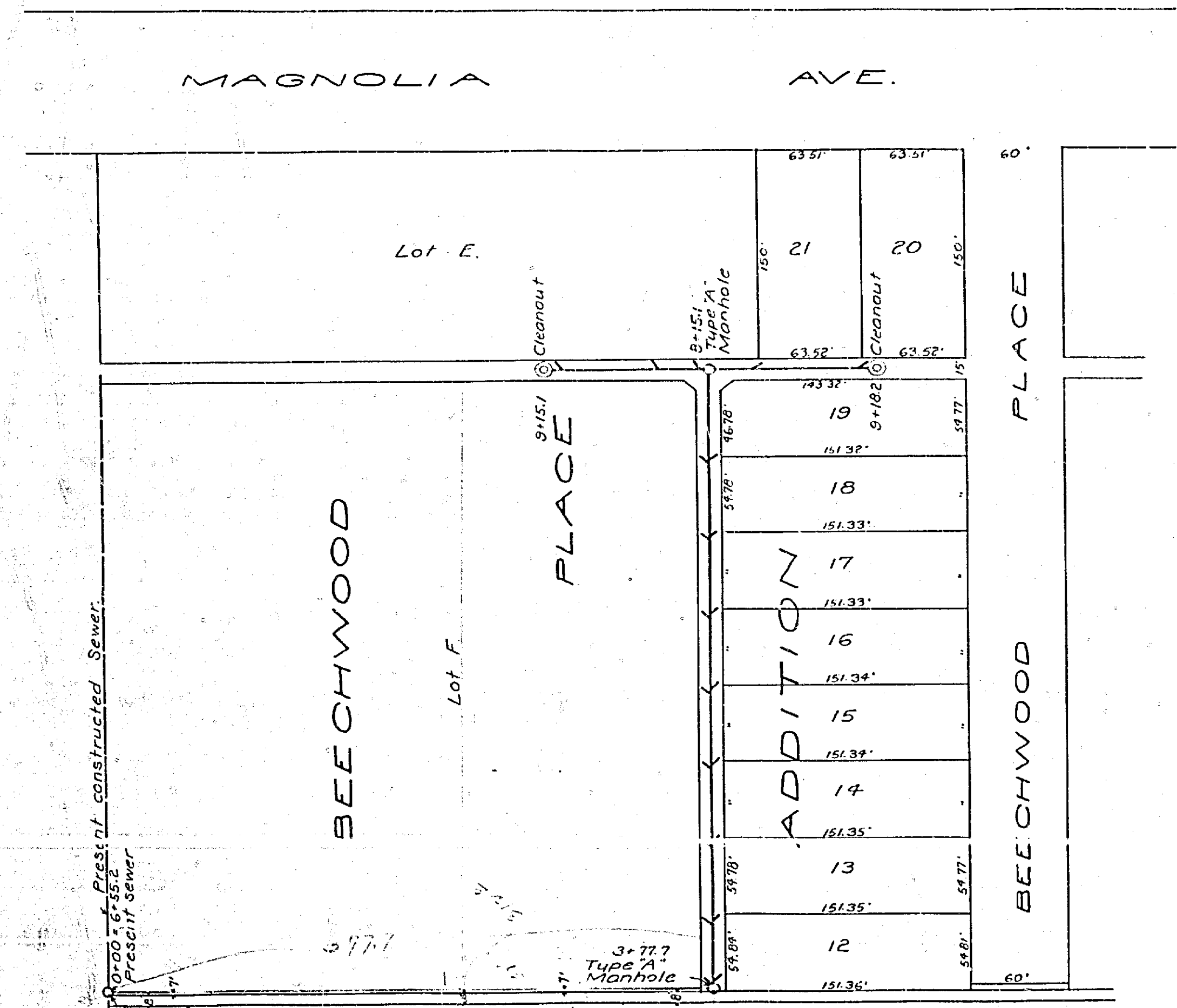


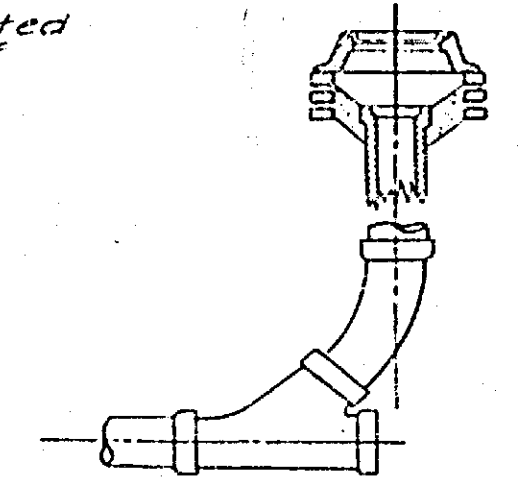
Adopted by the Mayor and Common Council of the City of Riverside this 25th day of July 1922.



MAP SHOWING SEWER TO BE CONSTRUCTED IN THE BEECHWOOD PLACE ADDITION.
LEE NAFZGAR CITY ENGINEER

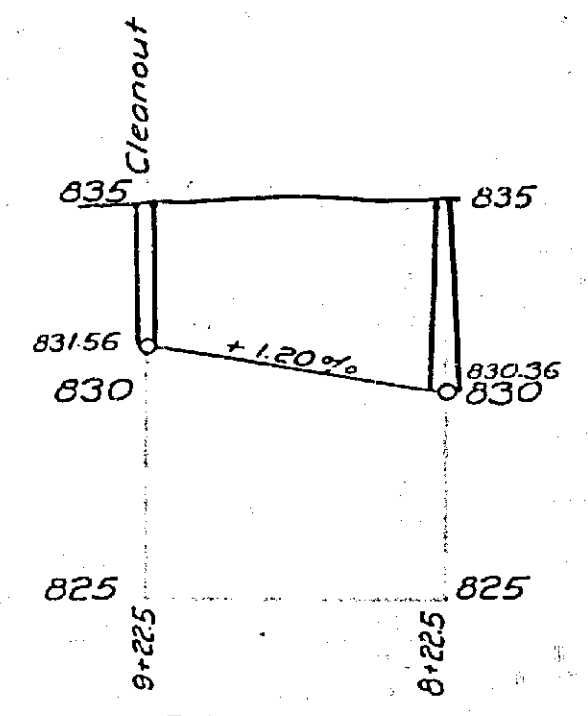


PLAN OF TYPE 'A' MANHOLE

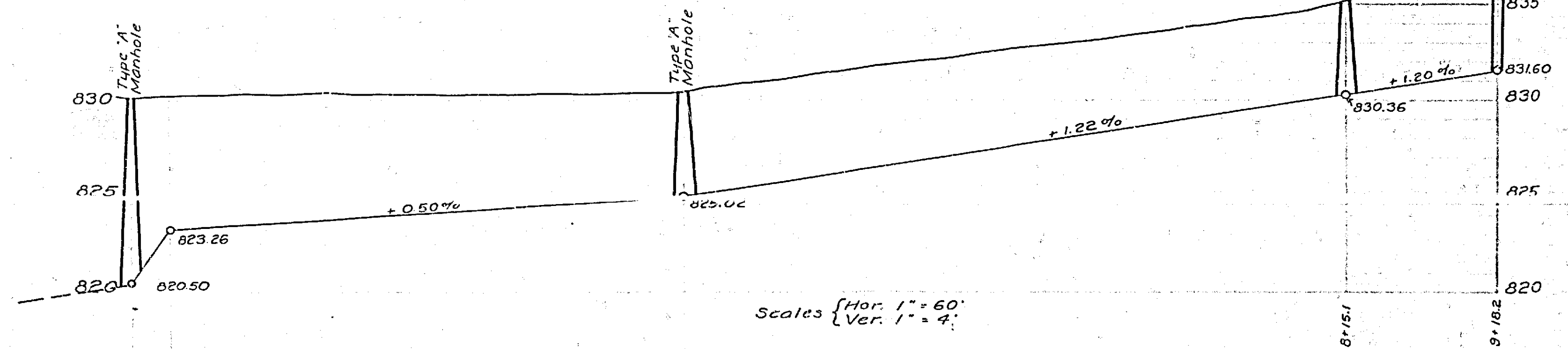


DETAIL OF CLEANOUT
Quantities for one
1- 6" x 6" V. branch
1- 6" x 48" bend
6- Vitrified pipe
1- Type B manhole cover
25- bricks.

Table of Quantities			
6" VIT Type A Pipes	Type A Manholes	Y. branch	Cleanouts
3	2	1	2



PROFILE LINE NORTH FROM 8+22.5



Scales { Hor. 1" = 60'
Ver. 1" = 4'

774

PLAN