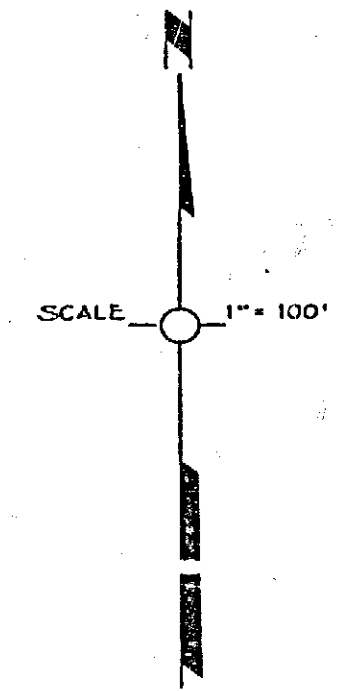


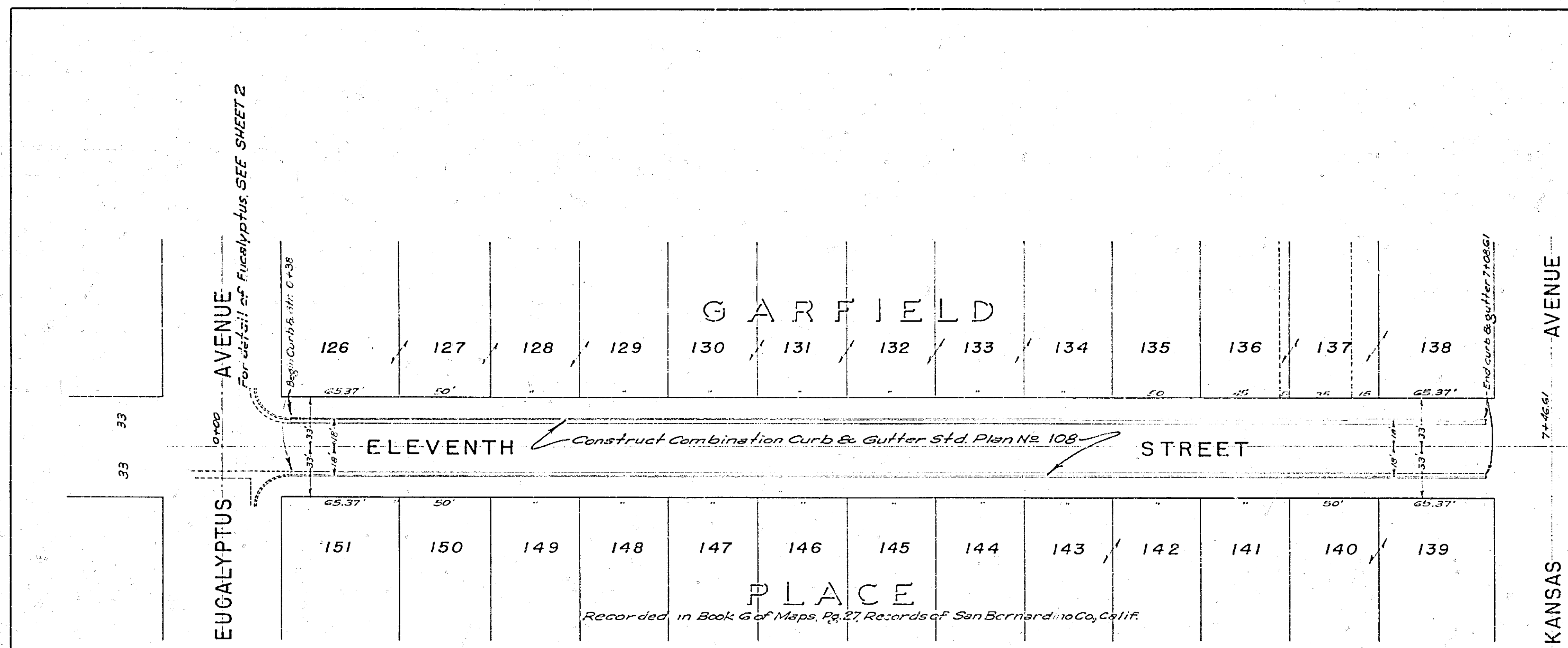
PLAT
 Showing the general nature, location and extent of the proposed construction of Cement Concrete Curbs, Gutters and Double Gutters along EUCALYPTUS AVENUE and ELEVENTH STREET and the lands to be assessed to pay the costs thereof.

Approved: *M. H. Irvine*
 M. H. Irvine, City Engineer
 Reg. C.E. no. 3011



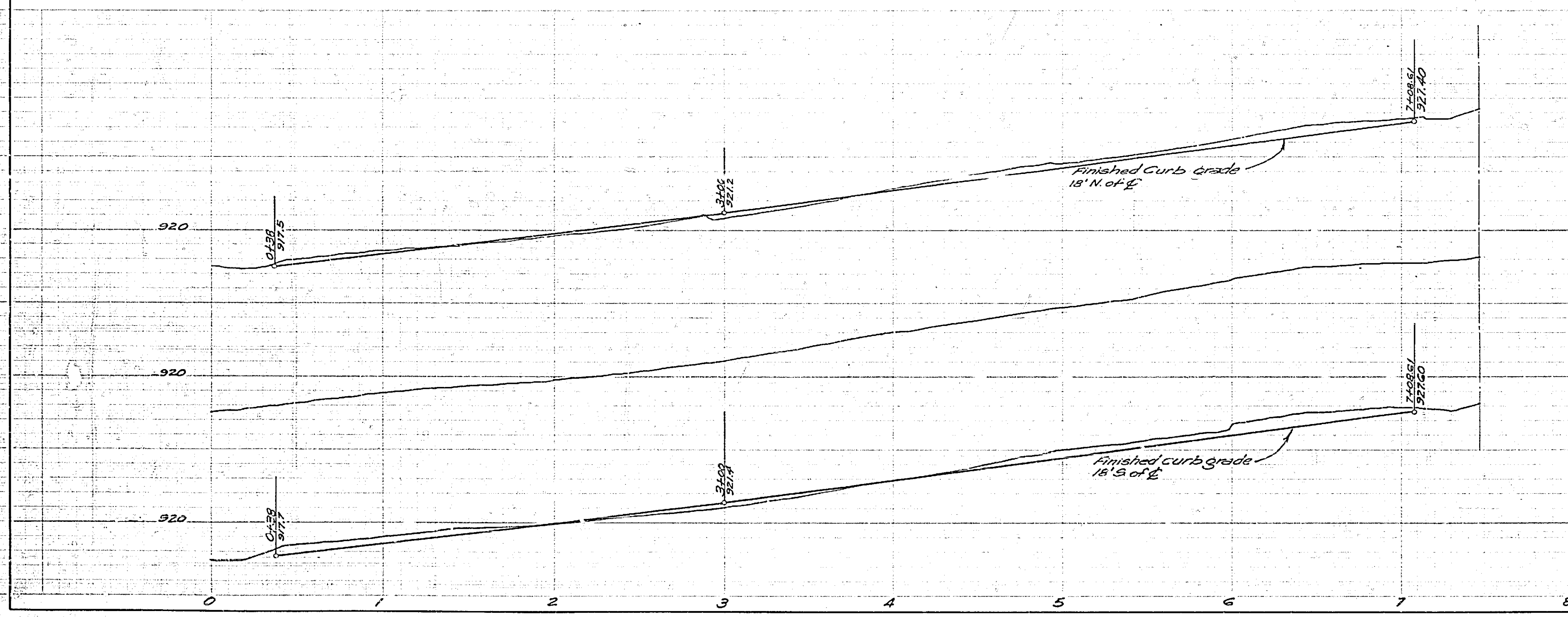
778

778



Recorded in Book 6 of Maps, Pg. 27, Records of San Bernardino Co., Calif.

Scale: 1"=40' Horiz. F.B. 424 Pg. 49
1"=4' Vert.



778

34"
22"
17"
11"
8.5"
11"
17"
22"