

PLANS AND PROFILES
 OF THE PROPOSED IMPROVEMENT OF
EAST TENTH STREET
 FROM PARK AVENUE TO SEDGWICK AVENUE
 AND PORTIONS OF PARK AVE. HIGH ST. AND SEDGWICK AVE.

ENGINEERING DEPT. CITY OF RIVERSIDE FEBRUARY 1930

PLANS, PROFILES AND MAPS NUMBER 947 CONSISTING OF SHEETS
 SHEET NUMBER 1 — IMPROVEMENT OF EAST TENTH STREET
 SHEET NUMBER 2 — PLANS, PROFILES AND DETAILS OF STORM DRAIN
 SHEET NUMBER 3 — DETAIL OF INTERSECTION PARK AVE. & EAST TENTH ST.
 SHEET NUMBER 4 — MAP OF DISTRICT TO BE ASSESSED

Contract No. 14 by City of Riverside, Cal., 1930

INSTRUCTIONS TO CONTRACTORS

FOLDER CONTAINING INSTRUCTIONS TO CONTRACTORS AND DETAIL PLANS
 MAPS 124 & 108 ARE A PART OF THESE PLANS AND SPECIFICATIONS

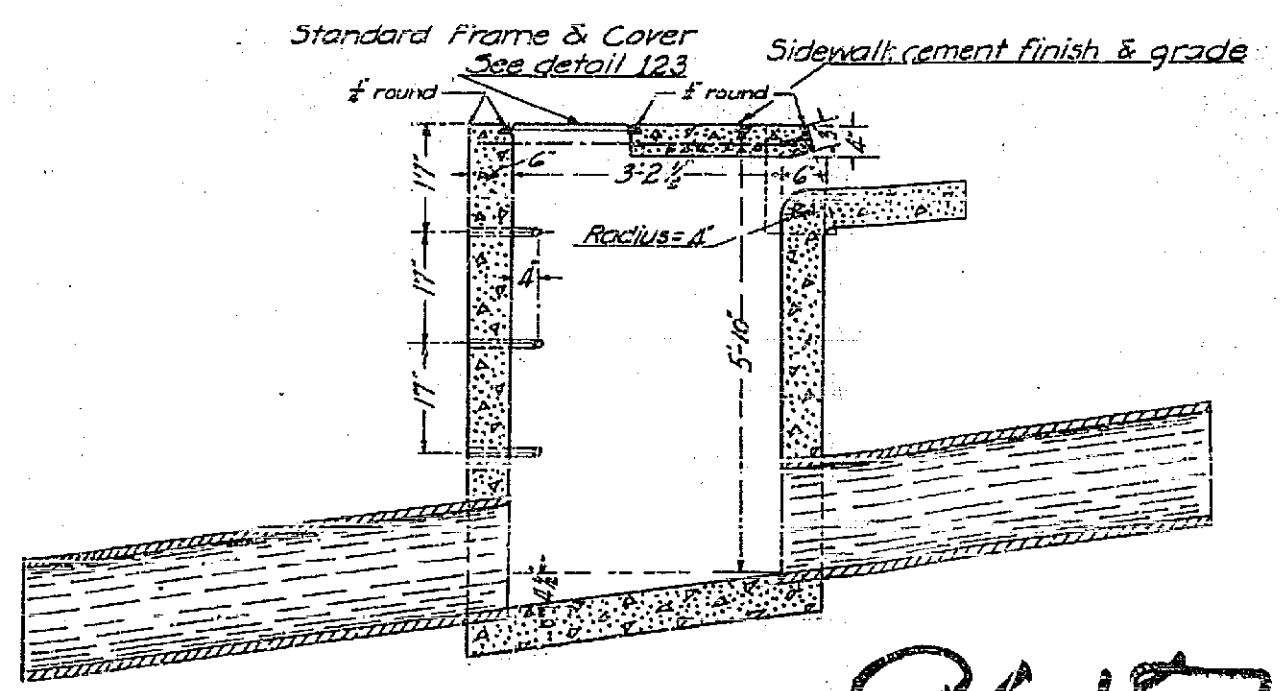
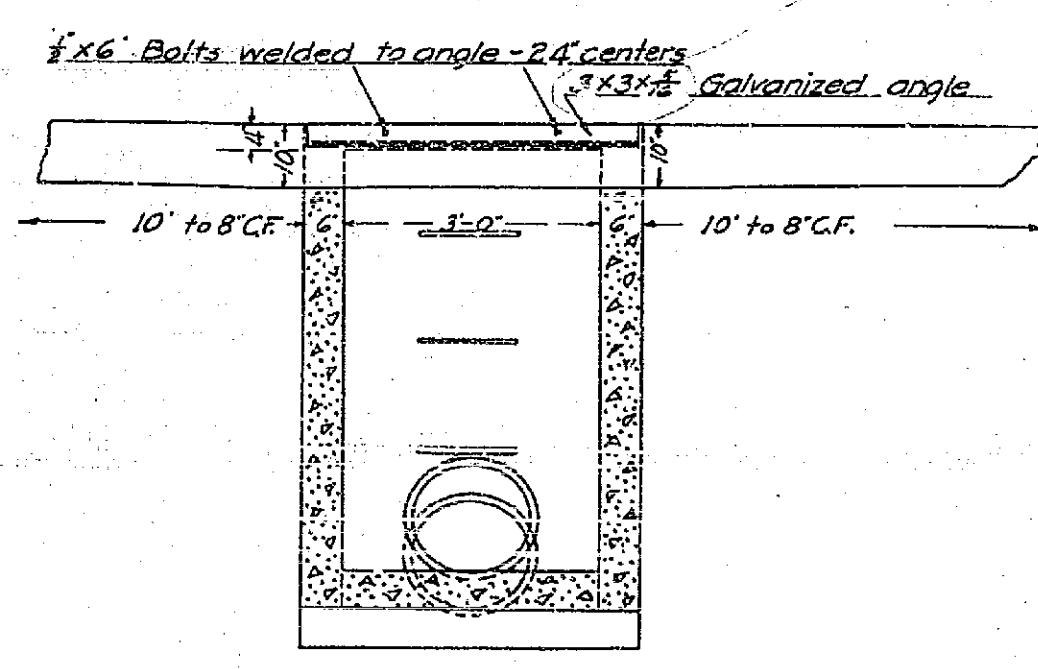
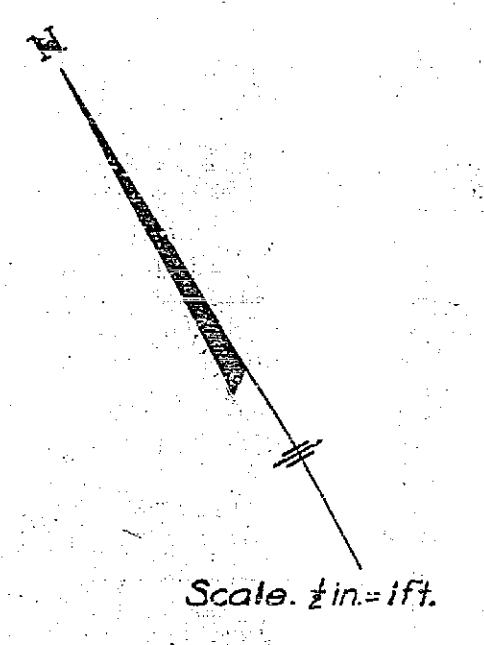
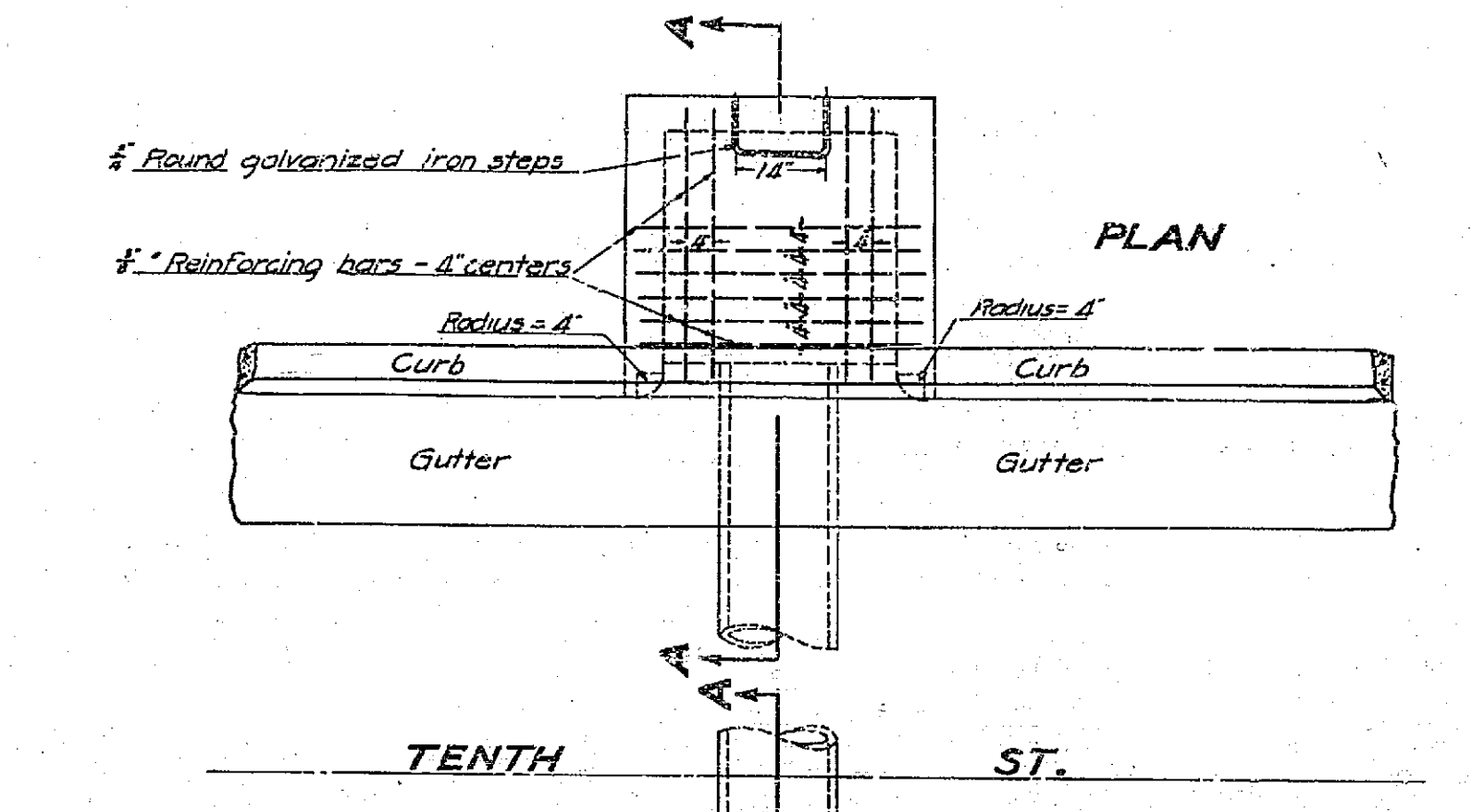
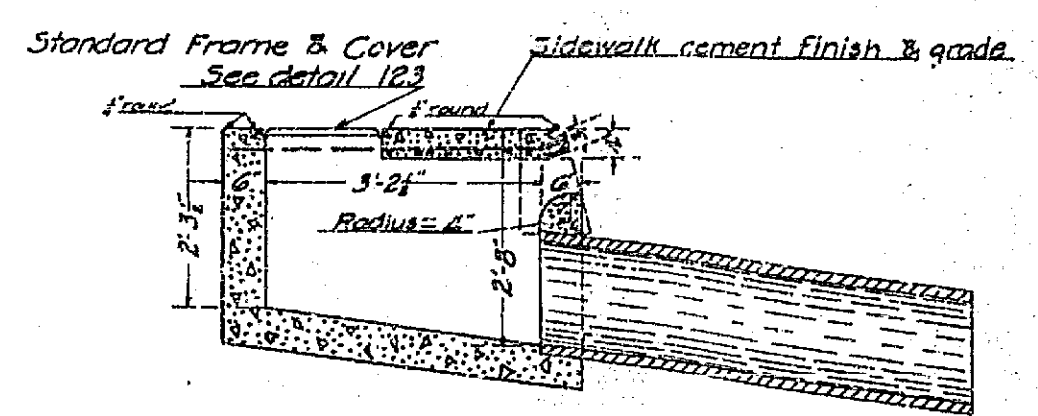
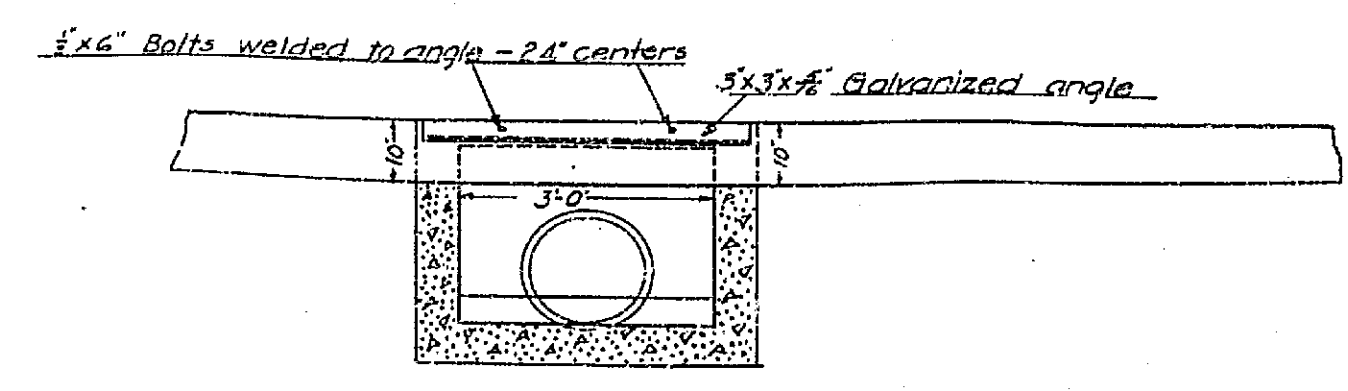
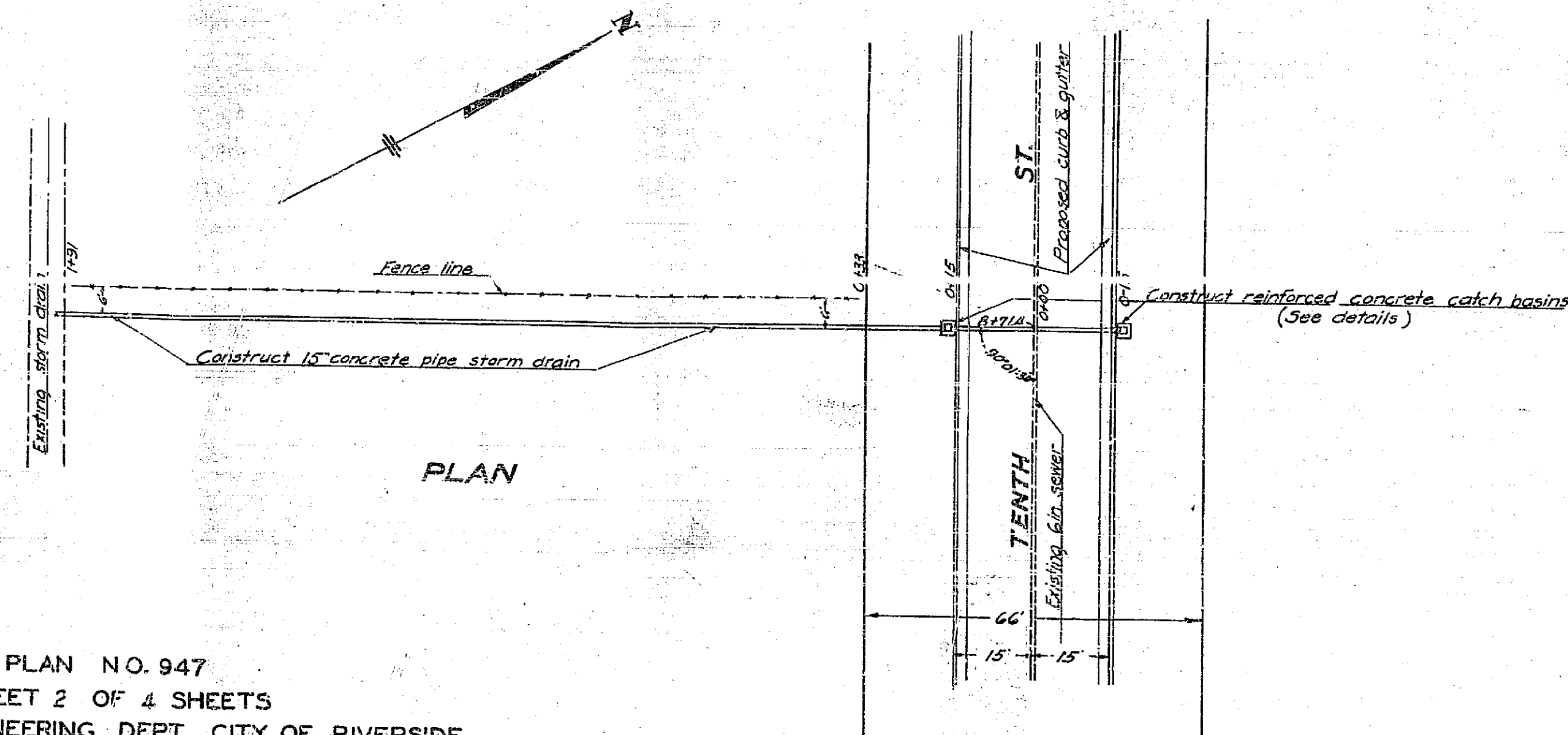
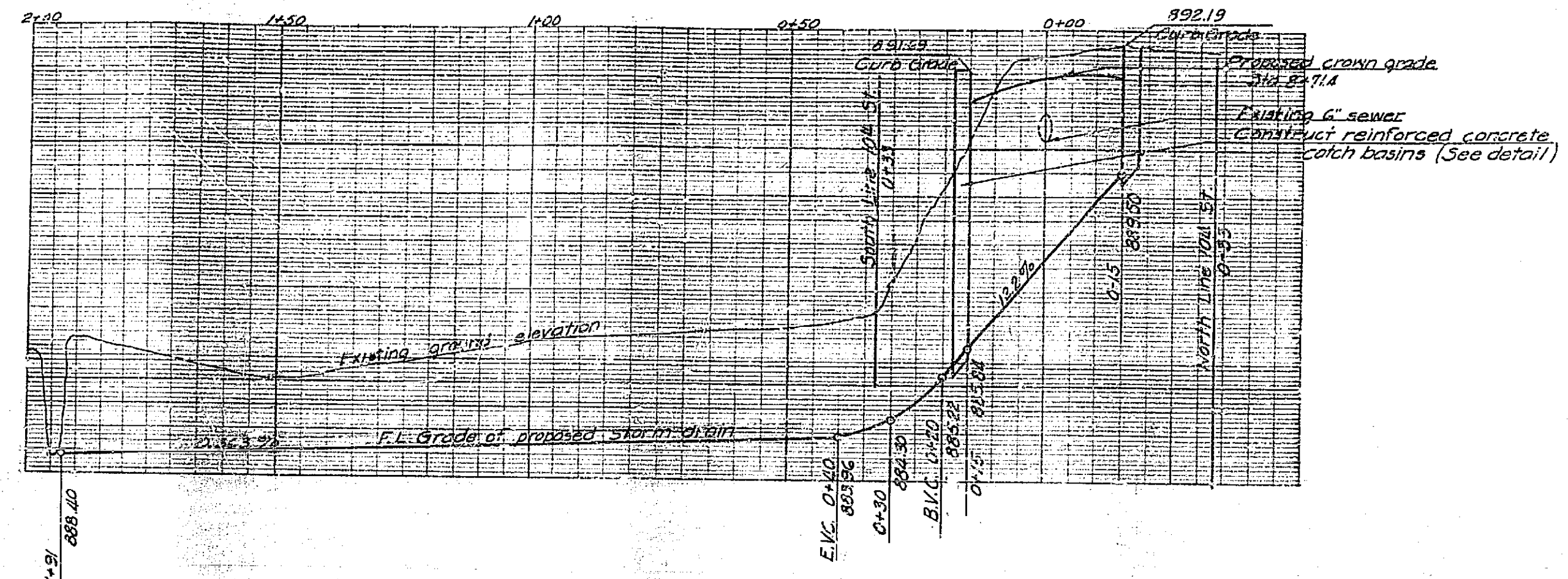
ELEVATIONS SHOWN HEREON ARE U.S. S. DATUM

FIELD BOOKS
 BOOK 107 PAGE 15 TO 37

ADOPTED BY THE MAYOR AND COUNCIL OF THE
 CITY OF RIVERSIDE THIS 25th DAY OF FEBRUARY 1930
 CLERK OF THE CITY OF RIVERSIDE

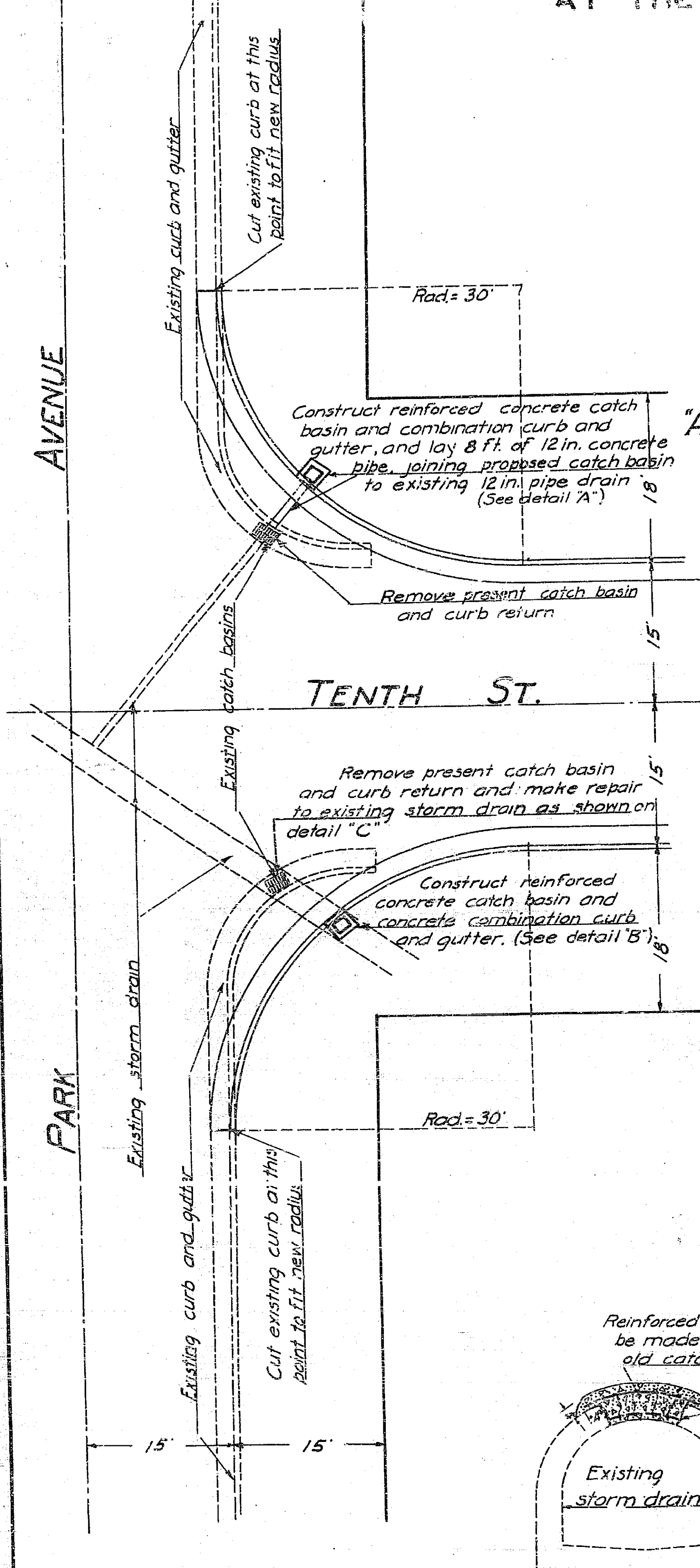
DETAILS, PLAN AND PROFILE OF STORM DRAIN STATION 8+71.4 EAST TENTH STREET IMPROVEMENT

047



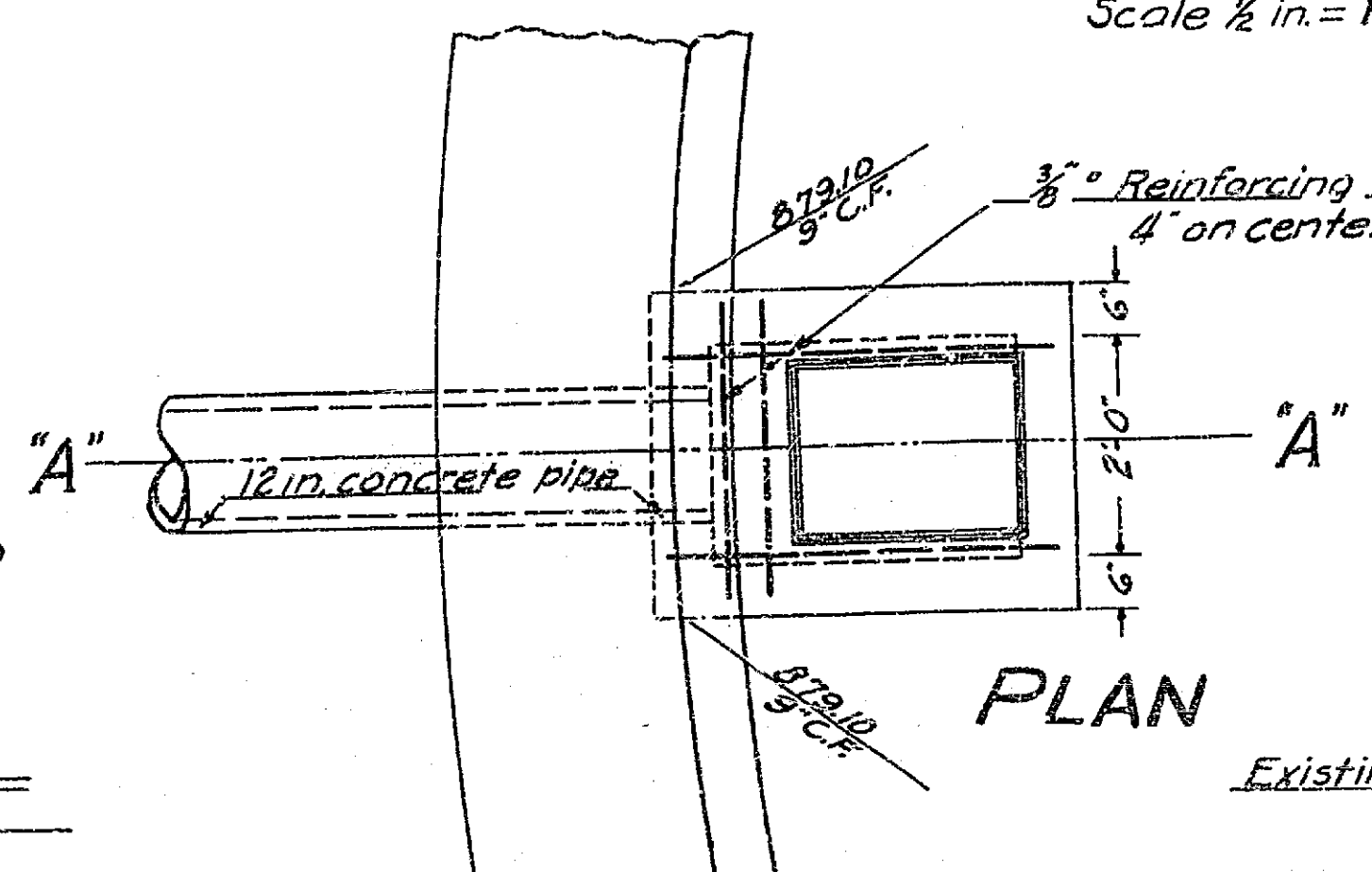
PLAN NO. 947
SHEET 2 OF 4 SHEETS
ENGINEERING DEPT. CITY OF RIVERSIDE

947

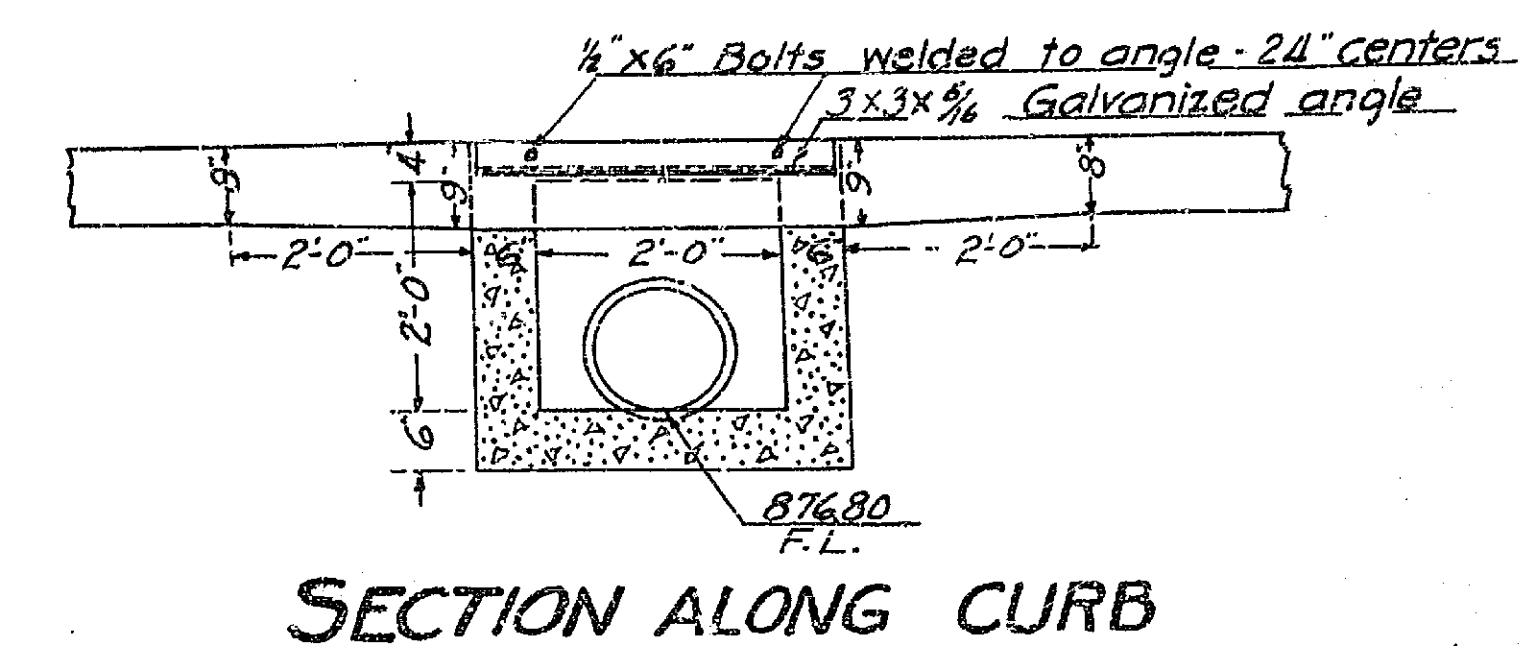


DETAIL 'A'

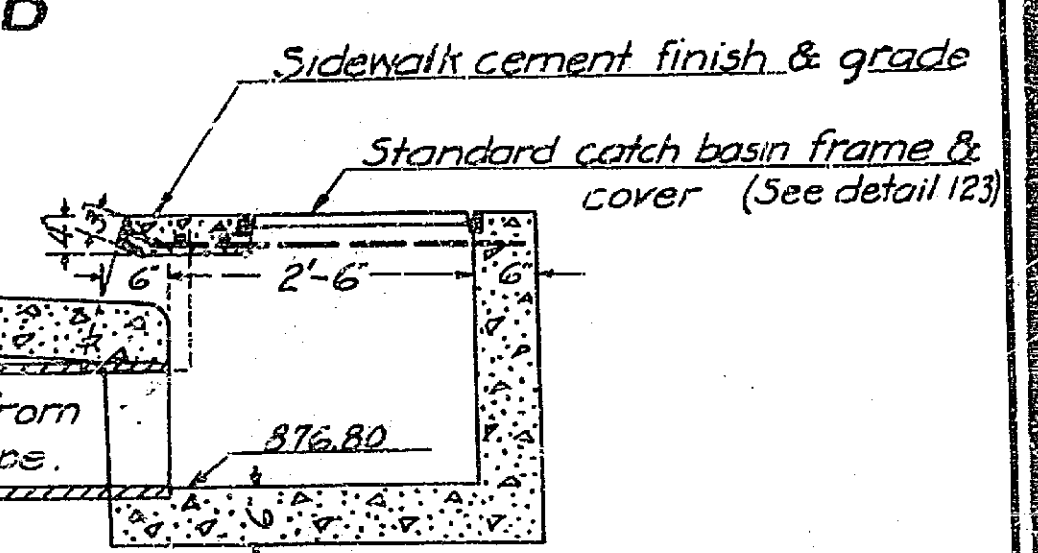
Scale 1/2 in. = 1 ft.



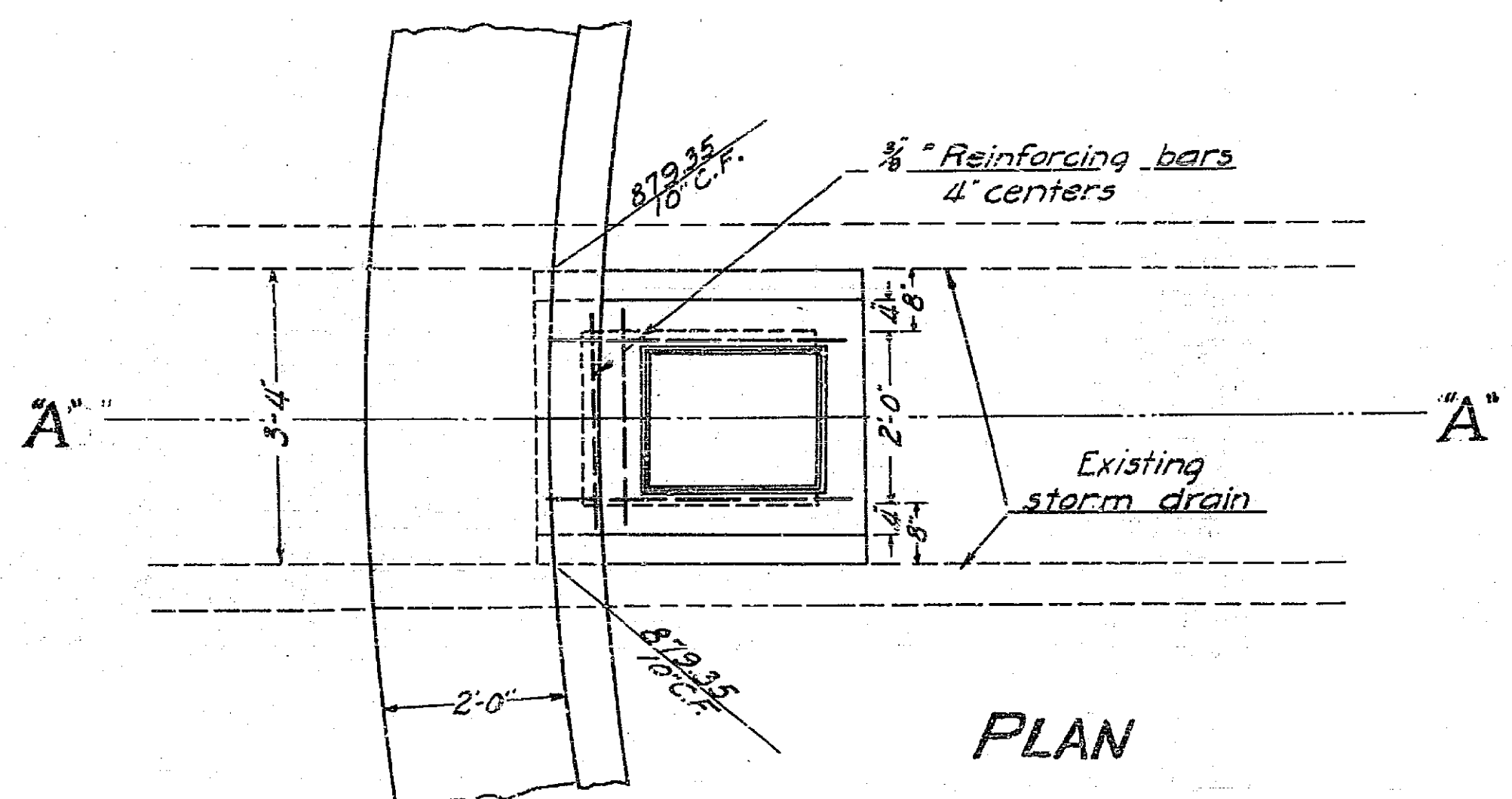
PLAN



SECTION ALONG CURB



SECTION A-A

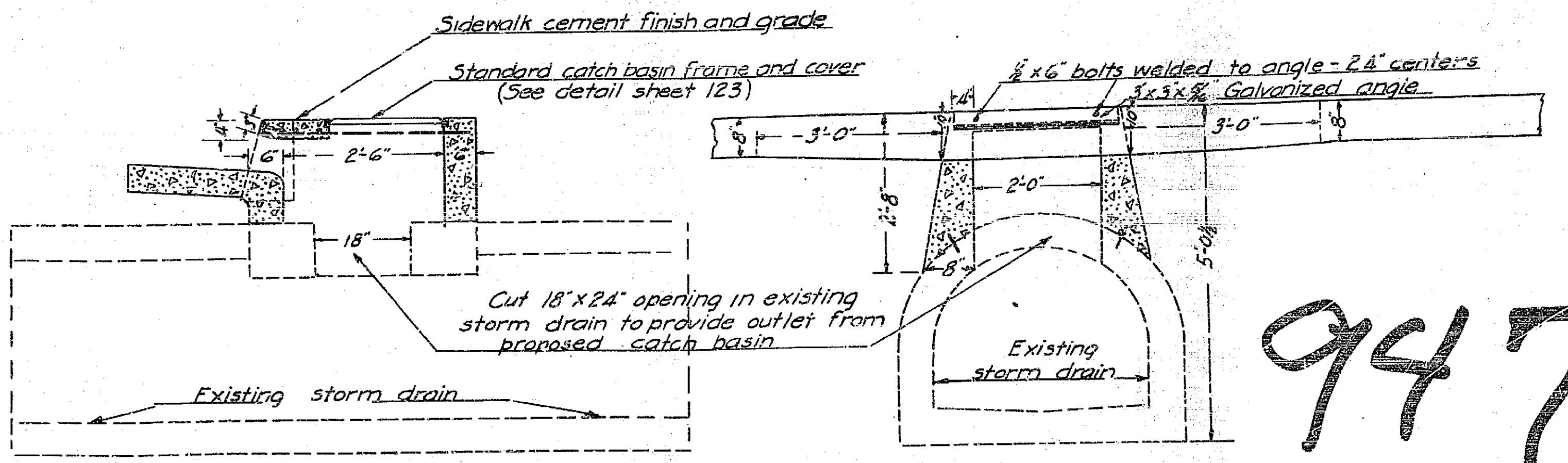


PLAN

DETAIL 'B'

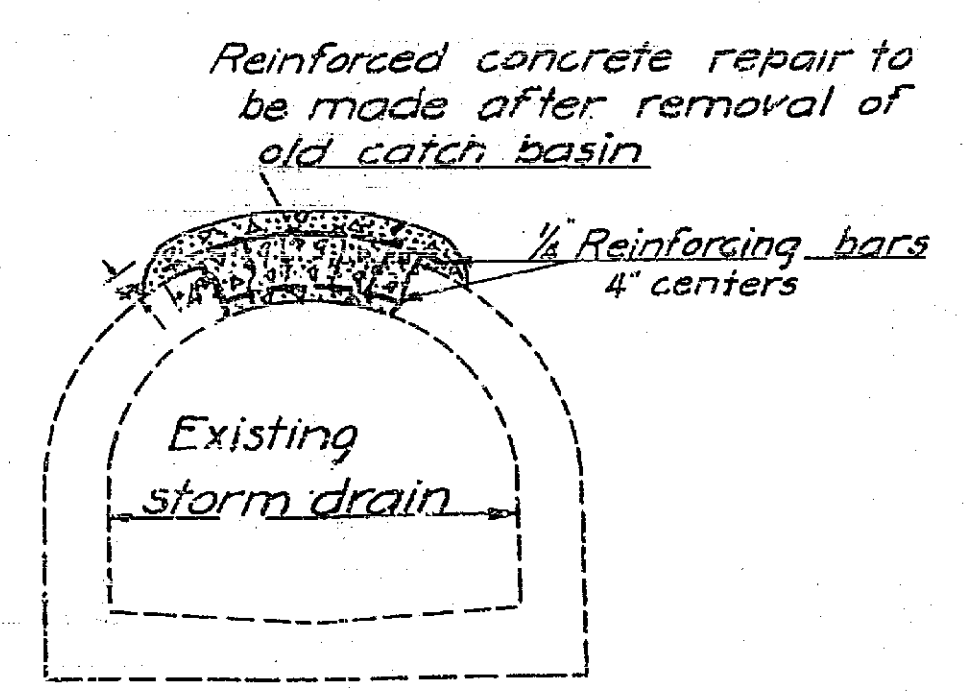
Scale 1/2 in. = 1 ft.

NOTE
Chisel surface of existing concrete to roughen for bonding of new concrete. Drill for and place six one quarter inch dowels for bonding.



SECTION A-A

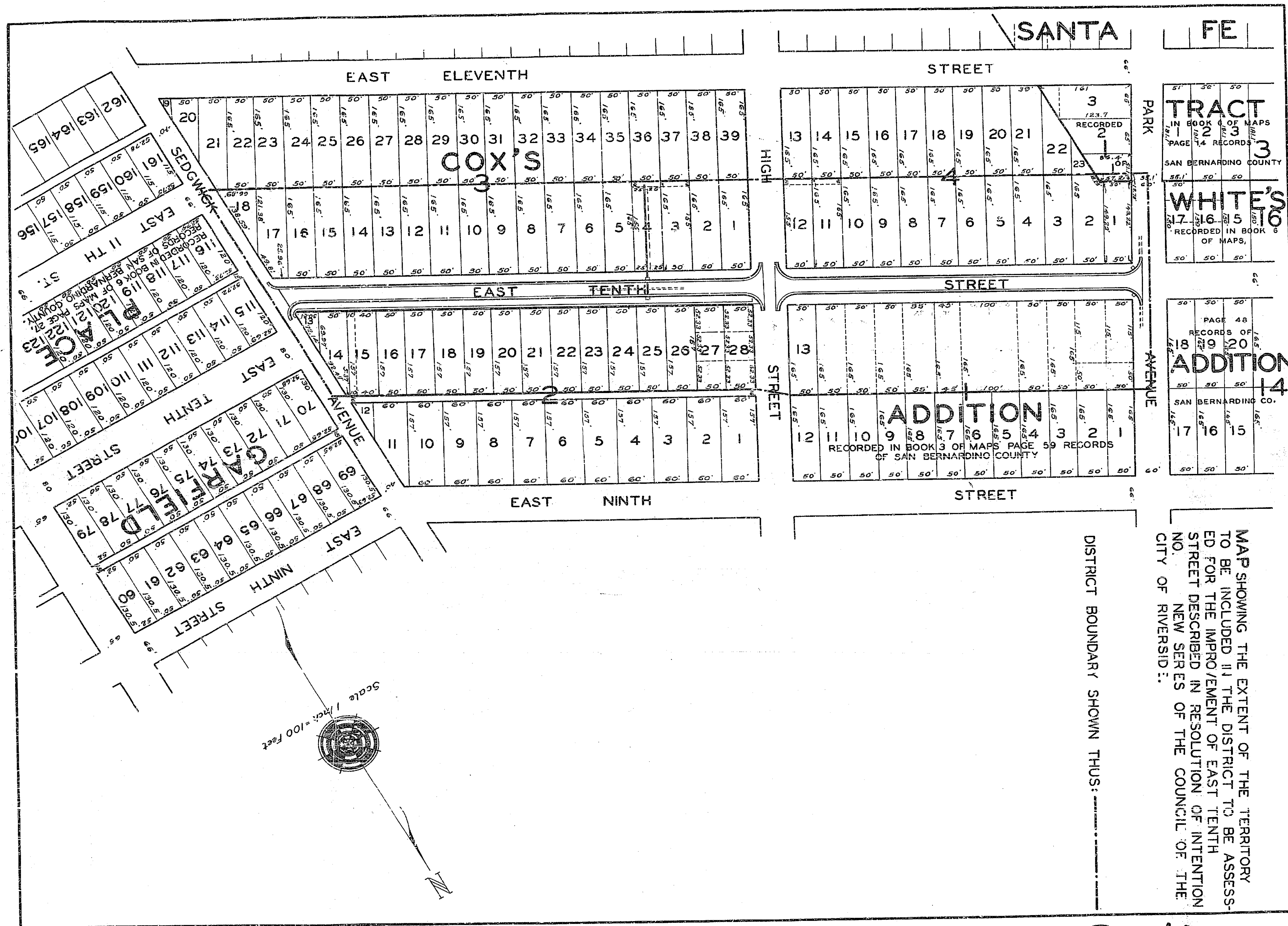
SECTION ALONG CURB



DETAIL 'C'

Scale 1/2 in. = 1 ft.

947



MAP SHOWING THE EXTENT OF THE TERRITORY TO BE INCLUDED IN THE DISTRICT TO BE ASSESSED FOR THE IMPROVEMENT OF EAST TENTH STREET DESCRIBED IN RESOLUTION OF INTENTION NO. NEW SERIES OF THE COUNCIL OF THE CITY OF RIVERSIDE.

DISTRICT BOUNDARY SHOWN THUS: - - - - -

947

PLAN NO. 947
SHEET 4 OF 4 SHEETS