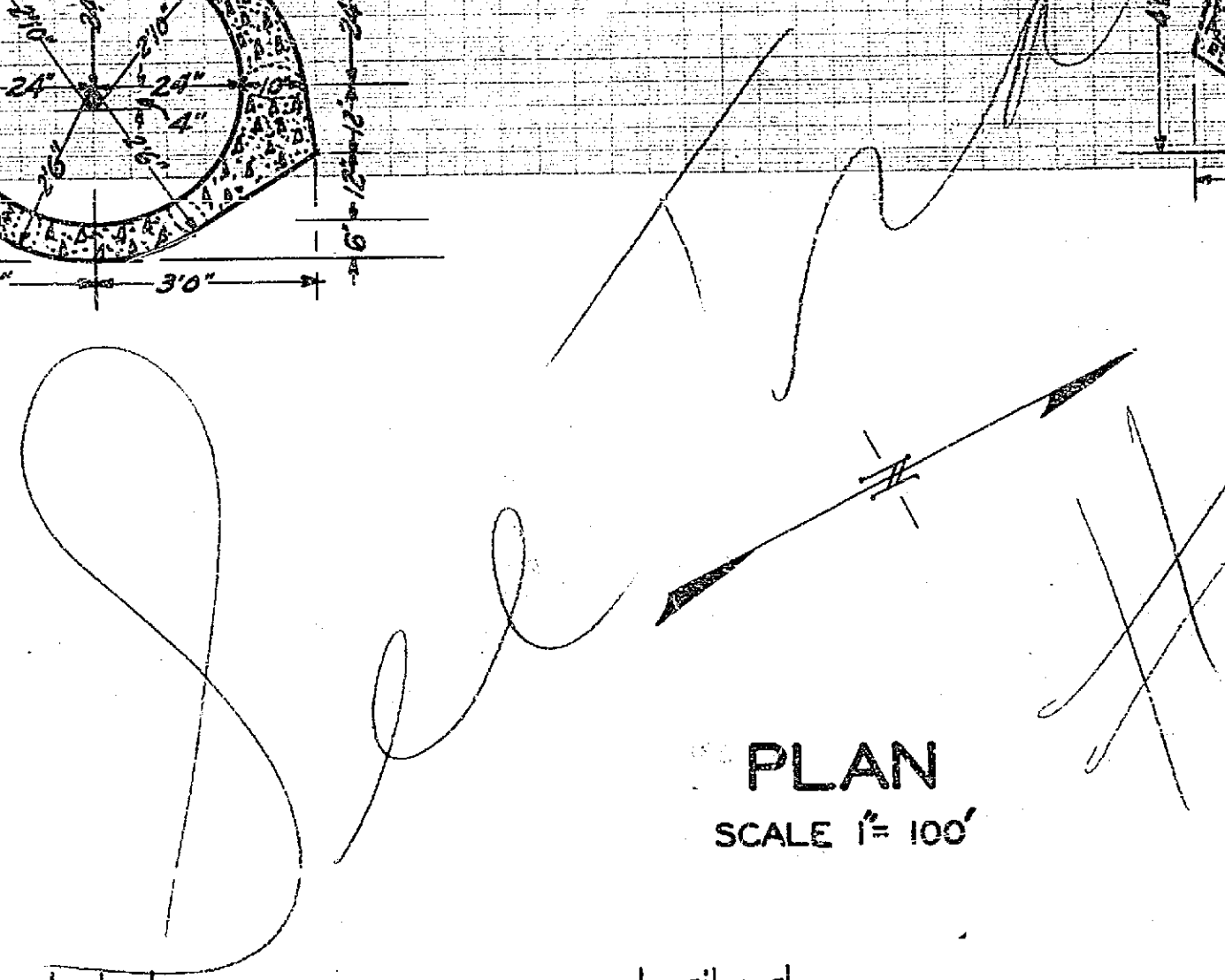
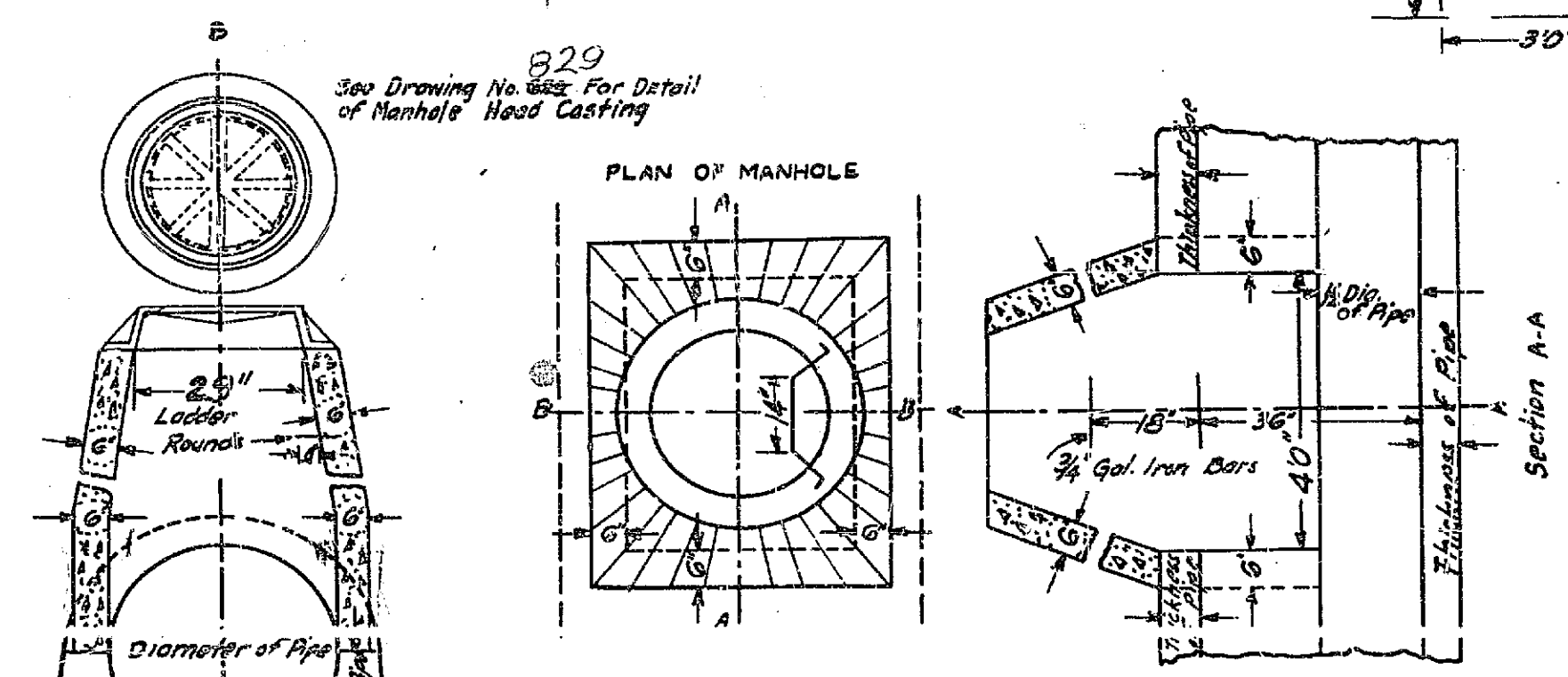
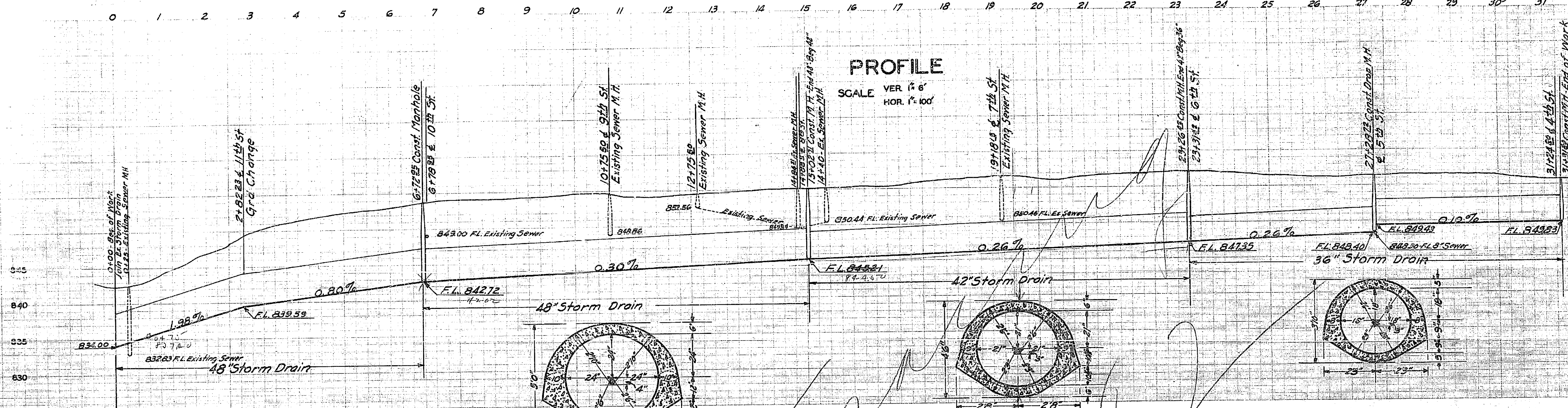


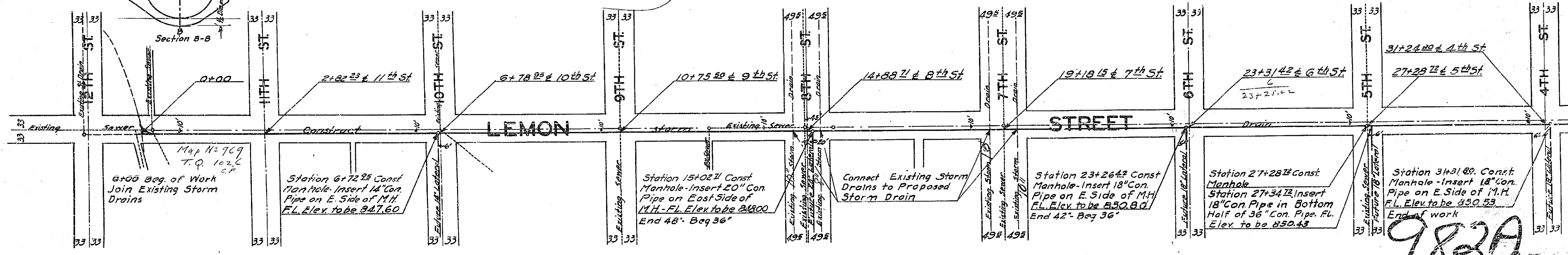
Drawing Number	Sheet	Total Sheets	Field Book
982	1	1	382
Drawn by <i>[Signature]</i> Checked by <i>[Signature]</i> Approved by <i>[Signature]</i>			



**PLANS AND PROFILES**  
OF THE PROPOSED  
**LEMON STREET STORM DRAIN**  
BETWEEN  
TWELFTH STREET AND FOURTH STREET

ENGINEERING DEPT. CITY OF RIVERSIDE  
APRIL 1936  
APPROVED *[Signature]*  
CITY ENGINEER

APPROVED AND ADOPTED BY THE MAYOR AND COUNCIL OF THE CITY OF RIVERSIDE  
THIS J.A. DAY OF JULY, 1936  
14 July  
*[Signature]*  
CITY CLERK, CITY OF RIVERSIDE



982A