

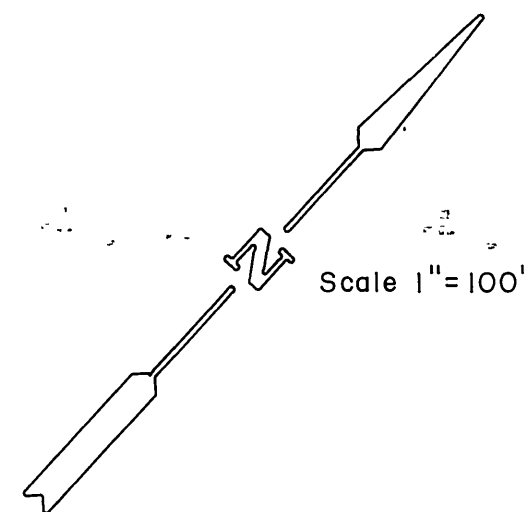
CITY
Copy

143
79

IN THE CITY OF RIVERSIDE, RIVERSIDE COUNTY, CALIFORNIA

PARCEL MAP 21,723

SHOWING THE DIVISION OF LOT 10 IN BLOCK 18 OF LA GRANADA,
AS SHOWN BY MAP ON FILE IN BOOK 12 PAGES 42 THROUGH 51,
INCLUSIVE, OF MAPS. RECORDS OF RIVERSIDE COUNTY,
CALIFORNIA LYING IN SECTION 2, T.3S., R.6W. OF RANCHO LA
SIERRA PER M.B. 6 / 70, RIVERSIDE COUNTY RECORDS.



JULY, 1986

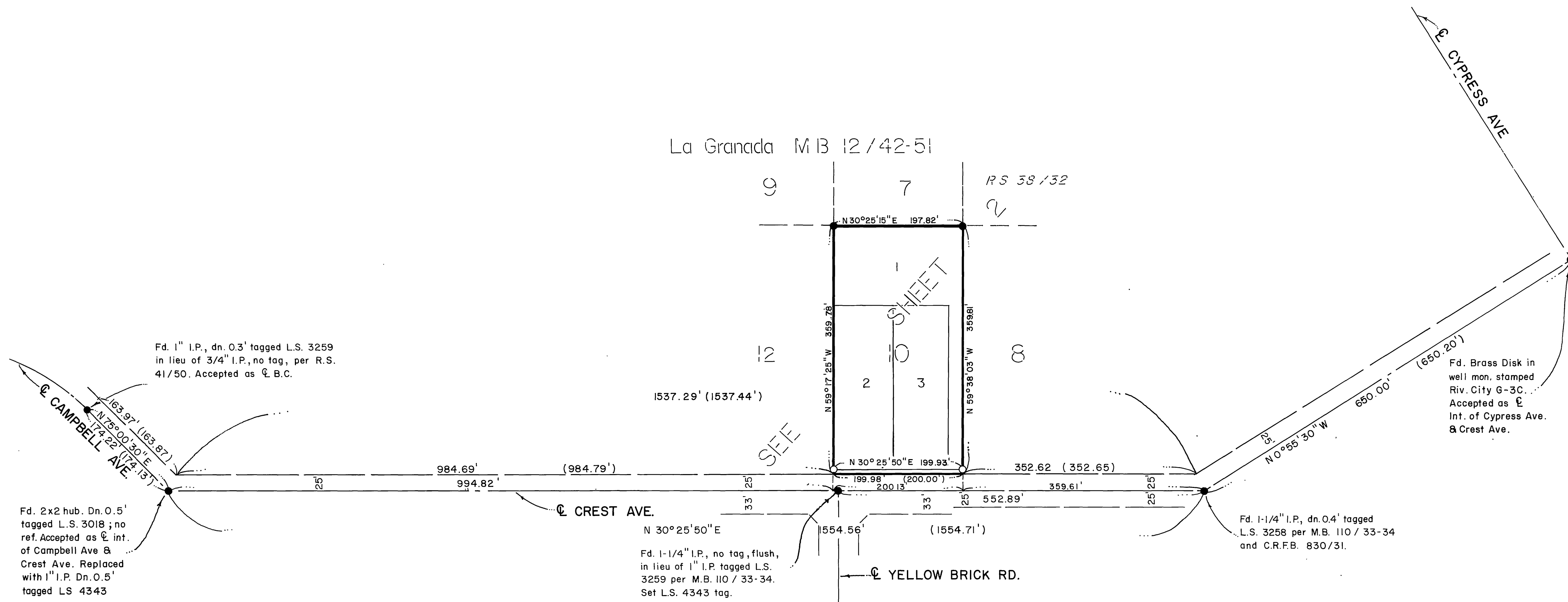
ACTION SURVEYS
MORENO VALLEY, CA

SURVEYOR'S NOTES

- Denotes 1" I.P. tagged L.S. 4343, set flush, unless otherwise noted.
- Denotes found monument as noted.
- () Denotes record data per M.B. 12 / 42 / 51, unless otherwise noted.

Basis of Bearings is taken from the Centerline of Crest Avenue as shown by M.B. 110 / 33-34, Riv. Ca. Rec., being N30°25'50"E.

La Granada M B 12 / 42-51



P.M.B. 143/79

P.M.B. 143/79

City Copy

143/80

P.M.B. 143/80

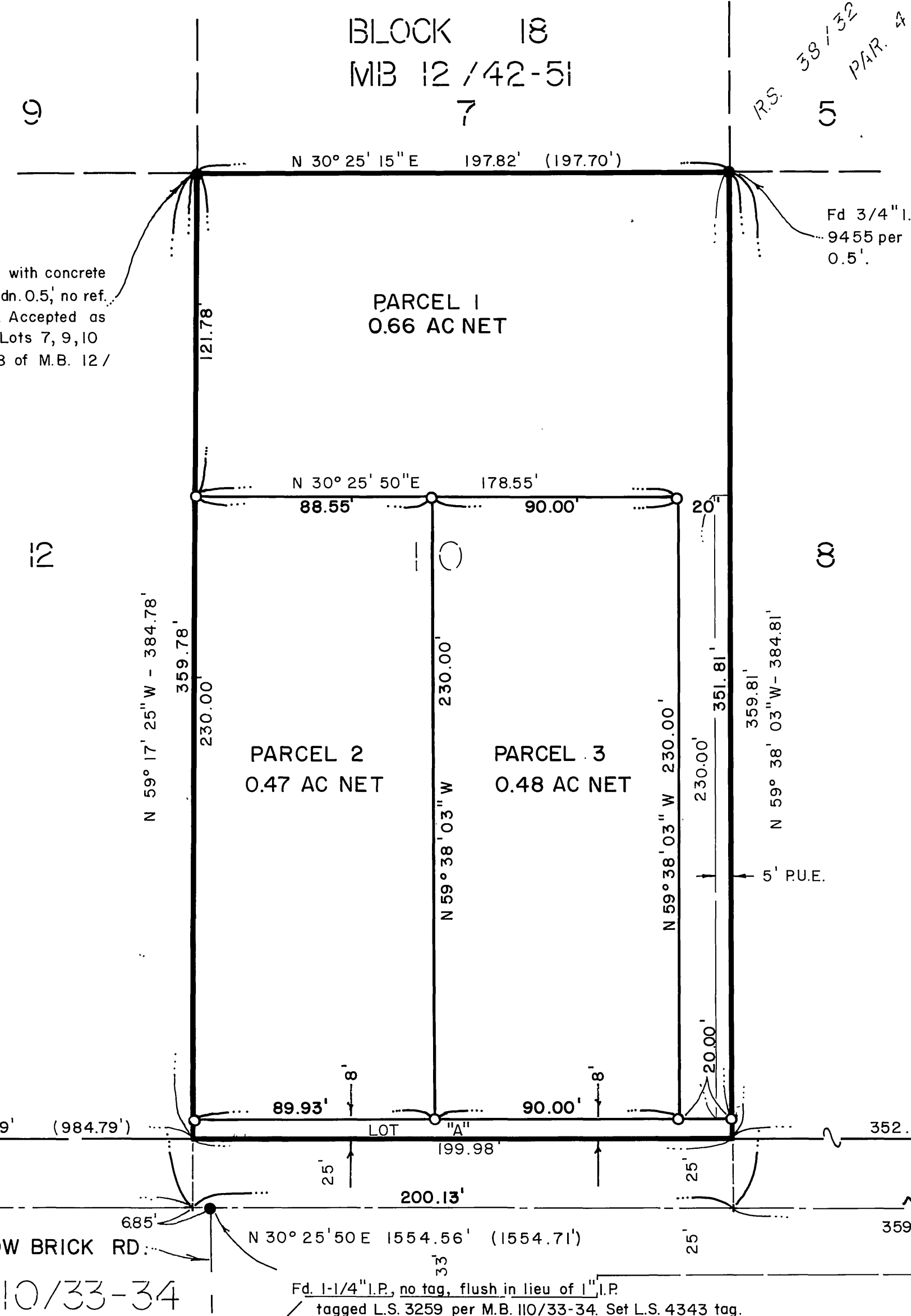
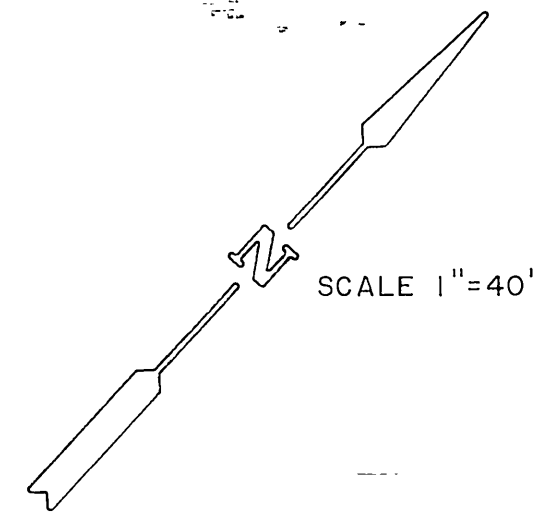
IN THE CITY OF RIVERSIDE, RIVERSIDE COUNTY, CALIFORNIA

PARCEL MAP 21,723

SHOWING THE DIVISION OF LOT 10 IN BLOCK 18 OF LA GRANADA, AS SHOWN BY MAP ON FILE IN BOOK 12 PAGES 42 THROUGH 51, INCLUSIVE, OF MAPS. RECORDS OF RIVERSIDE COUNTY, CALIFORNIA LYING IN SECTION 2, T. 3S., R. 6W. OF RANCHO LA SIERRA PER M.B. 6 / 70, RIVERSIDE COUNTY RECORDS.

JULY, 1986

ACTION SURVEYS
MORENO VALLEY, CA



SURVEYOR'S NOTES

- Denotes 1" I.P. tagged L.S. 4343, set flush, unless otherwise noted.
- Denotes found monuments as noted.
- () Denotes record data per M.B. 12 / 42 - 51, unless otherwise noted.

Basis of bearing is taken from the Centerline of Crest Ave. as shown by MB 110 / 34, Riv. Co. Rec. being N30° 25' 50" E.

Fd. 1-1/4" I.P. filled with concrete and nail in center, dn. 0.5', no ref. Set L.S. 4343 tag. Accepted as corner common to Lots 7, 9, 10 and 12 of Block 18 of M.B. 12 / 42-51.

Fd. 3/4" I.P. tagged R.E. 9455 per RS 38/32 up 0.5'.

Fd. 1" I.P. tagged L.S. 3259, dn. 0.3' in lieu of 3/4" I.P., no tag per R.S. 41/50. Accepted as C.B.C.

Fd. 2x2 hub. Dn. 0.5' tagged LS 3018; no ref Accepted as C. int. of Campbell Ave. & Crest Ave. Replaced with 1" I.P. Dn. 0.5' tagged LS 4343.

Fd. Brass Disk in well monument stamped Riv City G-3C. Accepted as C. Int. of Cypress Ave. & Crest Ave.

Fd. 1-1/4" I.P., dn. 0.4' tagged L.S. 3259 per M.B. 110 / 33-34 and C.R.F.B. 830/31.

Fd. 1-1/4" I.P., no tag, flush in lieu of 1" I.P. tagged L.S. 3259 per M.B. 110/33-34. Set L.S. 4343 tag.

P.M.B. 143/80

MB 110/33-34