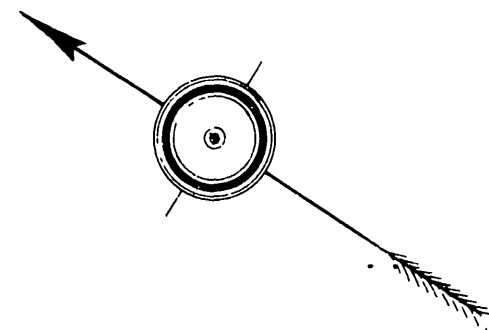


MAP OF CASA BLANCA HEIGHTS

being

A Resubdivision of the Southwesterly $\frac{1}{2}$ of Lots 1 and 2 South of the Southern California Railway Right of Way and the Southwesterly $\frac{1}{2}$ of Lot 3 all in Block 66 of the lands of W.T. Sayward and S.C. Evans in T. 3 S. R. 5 W. S. B. B & M.

SUBDIVIDED BY KINGSBURY SANBORN, C.E.
JANUARY, 1905. SCALE 1 INCH = 100 FEET.
RIVERSIDE, RIVERSIDE COUNTY, CALIFORNIA.



I hereby certify that this Map of Casa Blanca Heights is a correct representation of the survey made by me in JANUARY, 1905.

Kingsbury Sanborn
CIVIL ENGINEER.

I hereby execute and adopt this Map of CASA BLANCA HEIGHTS as surveyed by KINGSBURY SANBORN, C.E. in January, 1905 to designate the different parts of land which it represents as divided into blocks, lots and streets.

Frank A. Tetley

STATE OF CALIFORNIA,)
COUNTY OF RIVERSIDE,) S.S.
On this 7th day of January in the year of our Lord One Thousand Nine Hundred and Five, before me, P.S. Castman a Notary Public in and for said County of Riverside, residing therein, duly commissioned and sworn, personally appeared FRANK A. TETLEY, personally known to me to be the person described in, and whose name is subscribed to and who executed the within instrument, and acknowledged to me that he executed the same freely and voluntarily.
In WITNESS WHEREOF, I have hereunto set my hand and official seal, at my office in Riverside, in the said County, the day and year in this Certificate first above written.

P.S. Castman
Notary Public in and for Riverside County, State of California.

Resolved, that the within Map be and is hereby adopted as the Official Map of CASA BLANCA HEIGHTS.
We hereby certify that the foregoing Resolution was adopted by the Board of Trustees of the City of Riverside this day of January, 1905.

City Clerk.

