

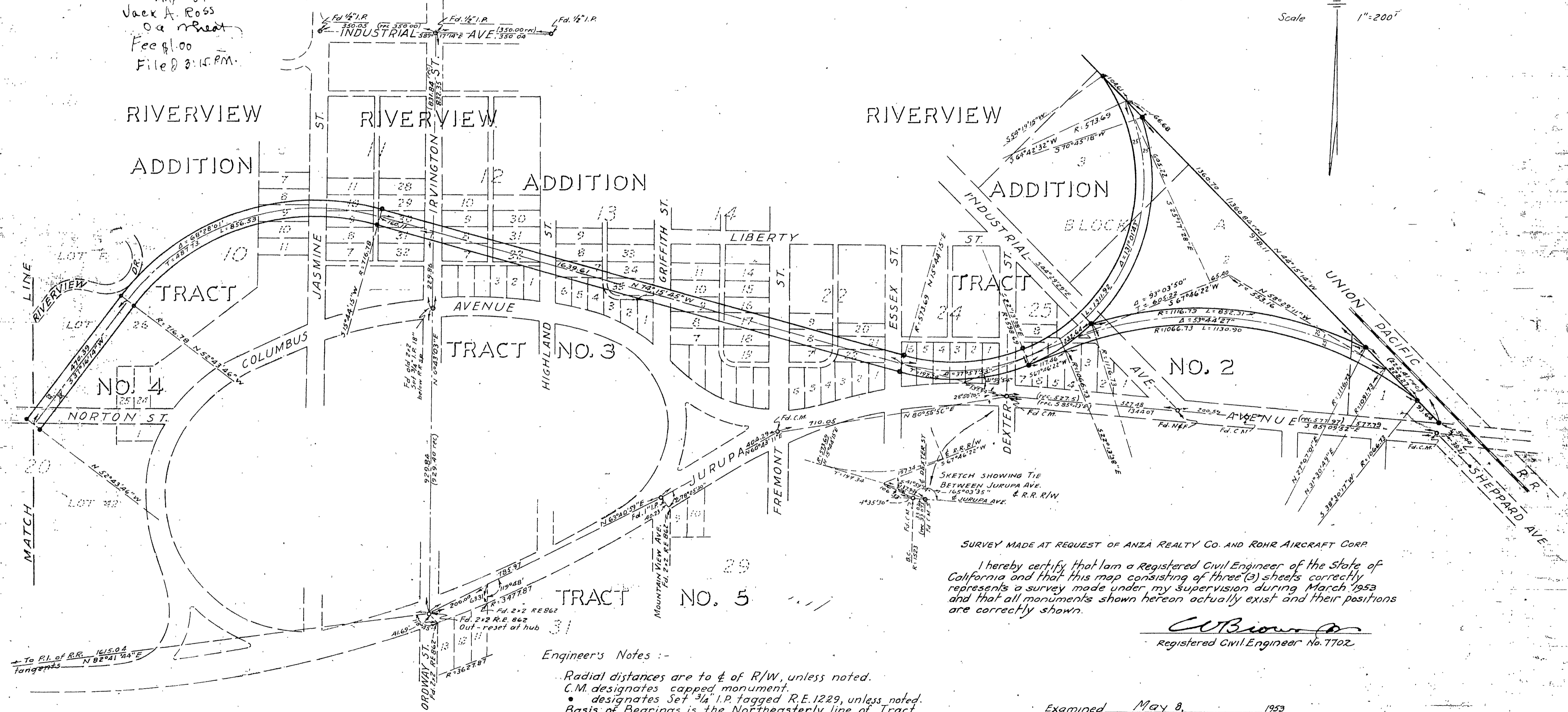
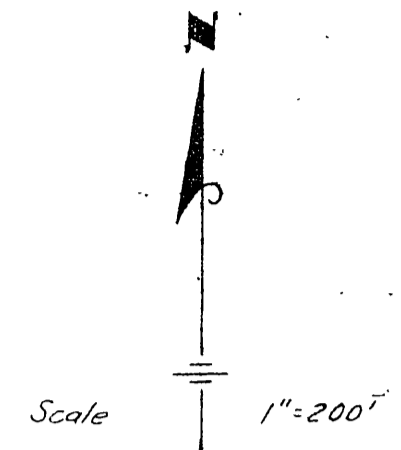
19/68

RECORD OF SURVEY

OF RAILROAD RIGHT-OF-WAY OVER PORTIONS OF RIVERVIEW ADDITION TRACT NOS. 2,3,4,5 AND PORTIONS OF MC CLASKEY TRACT & MC CLASKEY TRACT NO. 2 AND MISSISSINAWA TRACT AS RECORDED IN MAP BOOKS 6 PG. 63, 7 PG. 5, 7 PG. 6, 7 PG. 7, 10 PGS. 36 & 37, 14 PG. 27 AND 8 PG. 22 RESPECTIVELY; ALL RECORDS OF RIVERSIDE COUNTY, CALIFORNIA AND ALSO OVER A PORTION OF SW 1/4 OF SW 1/4 OF SEC. 31, T. 2 S., R. 5 W., S. B. & M.

FILED

MAY 8 1953
Jack A. Ross
O. A. Reed
Fee \$1.00
Filed 3:15 PM.



SURVEY MADE AT REQUEST OF ANZA REALTY CO. AND ROHR AIRCRAFT CORP.
I hereby certify that I am a Registered Civil Engineer of the State of California and that this map consisting of three (3) sheets correctly represents a survey made under my supervision during March 1953 and that all monuments shown hereon actually exist and their positions are correctly shown.

C. J. Brown
Registered Civil Engineer No. 7702

Engineer's Notes :-
• Radial distances are to 1/4 of R/W, unless noted.
• C.M. designates capped monument.
• designates Set 3/4 I.P. tagged R.E. 1229, unless noted.
• Basis of Bearings is the Northeasterly line of Tract No. 2 of the Riverview Addition to the City of Riverside, as shown in deed recorded in Book 885, page 243, of Official Records, Riverside County, taken as N 44° 15' 14" W.

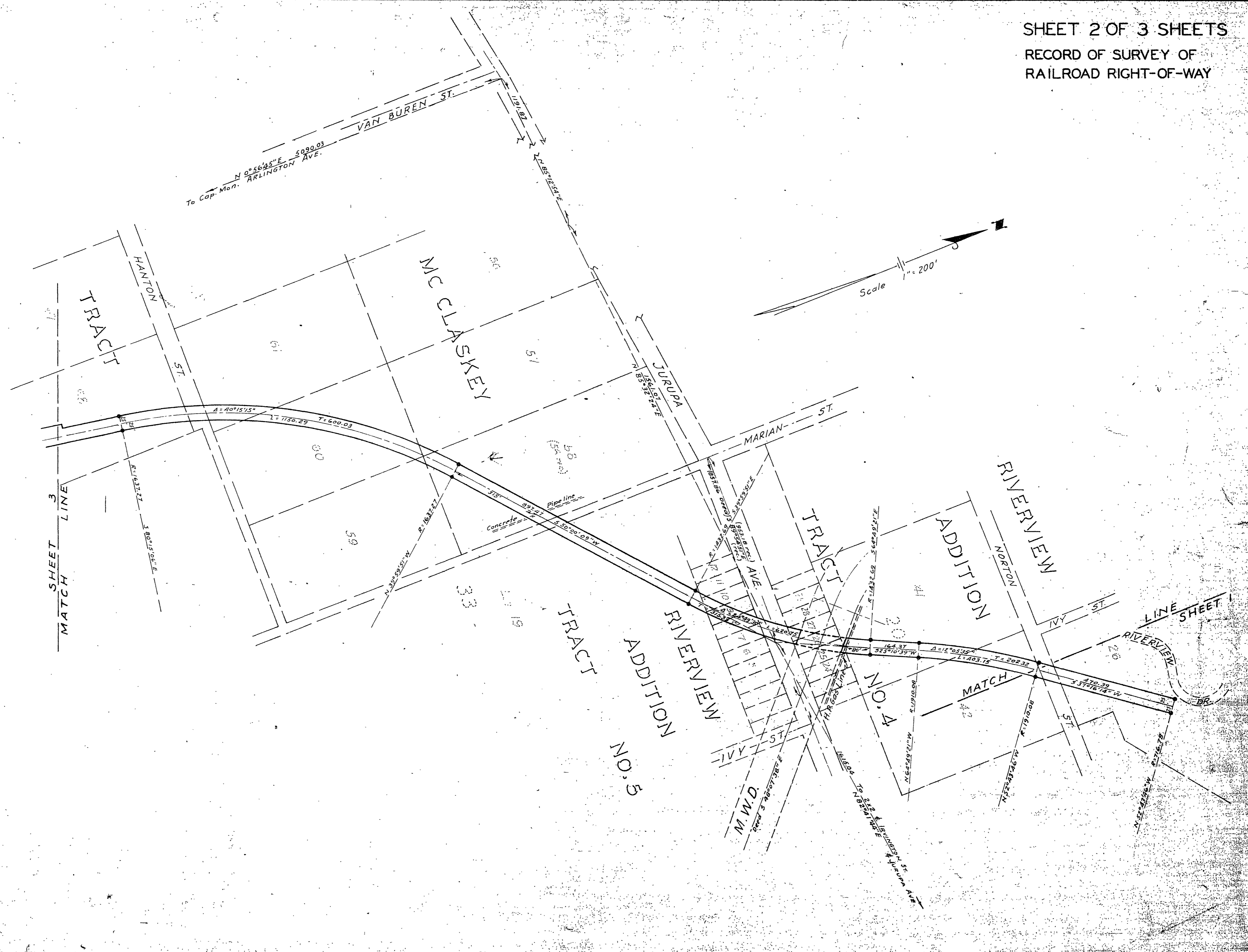
Examined May 8, 1953
A.C. KEITH
County Surveyor

By G.T. Worsley Deputy

RS 19/68

19/69

SHEET 2 OF 3 SHEETS
RECORD OF SURVEY OF
RAILROAD RIGHT-OF-WAY

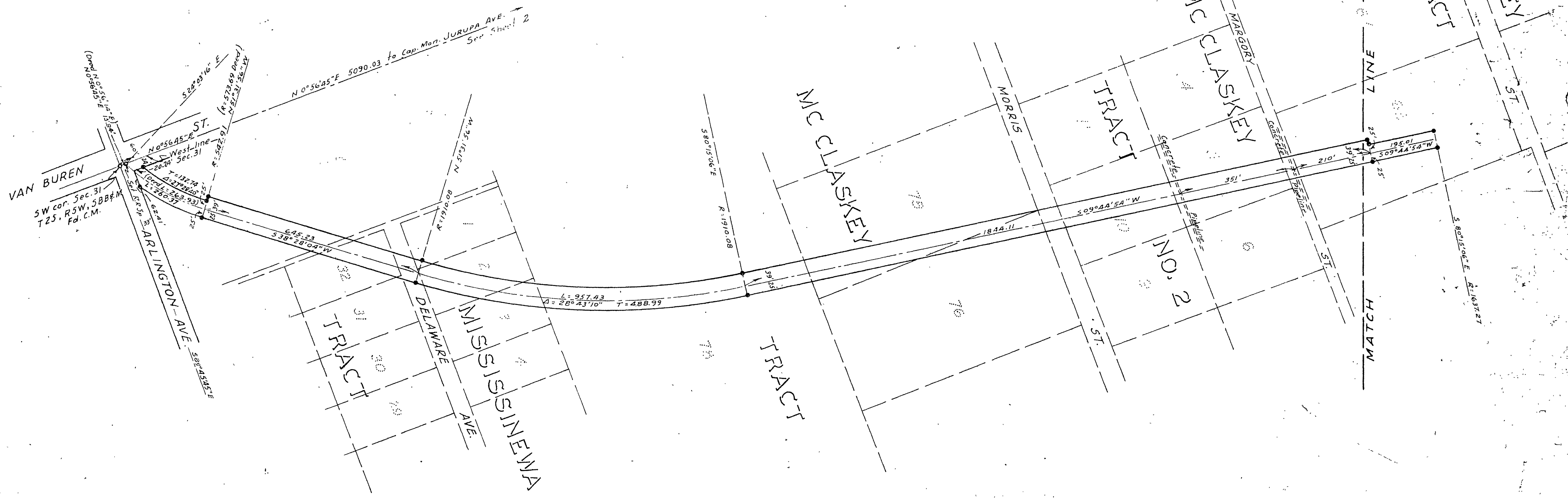
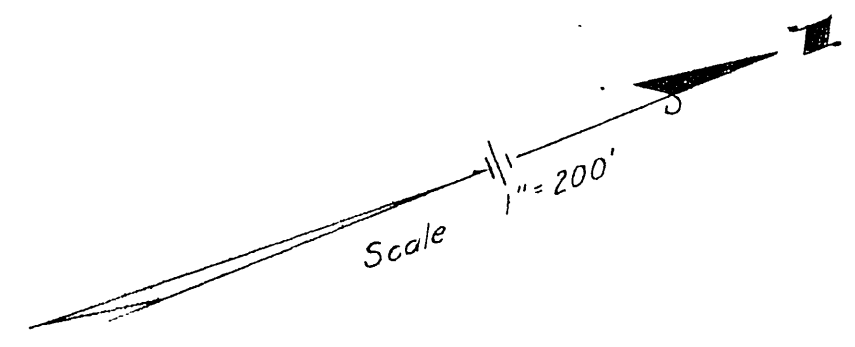


R/S 19/69

RS 19/69

19/70

SHEET 3 OF 3 SHEETS
RECORD OF SURVEY OF
RAILROAD RIGHT-OF-WAY



RS 19/70

RS 19/70