

IN THE CITY OF RIVERSIDE

RECORD OF SURVEY

of a Portion of Lot 9, Block 7, Riverside Land and Irrigating Company Lands, as recorded in Map Book 1, Page 70, Records of San Bernardino County, Calif.

Sec. 5, T3S, R25W, SBB & M.

CRAWLEY & HAWKINS • ENGINEERS & SURVEYORS

February, 1964

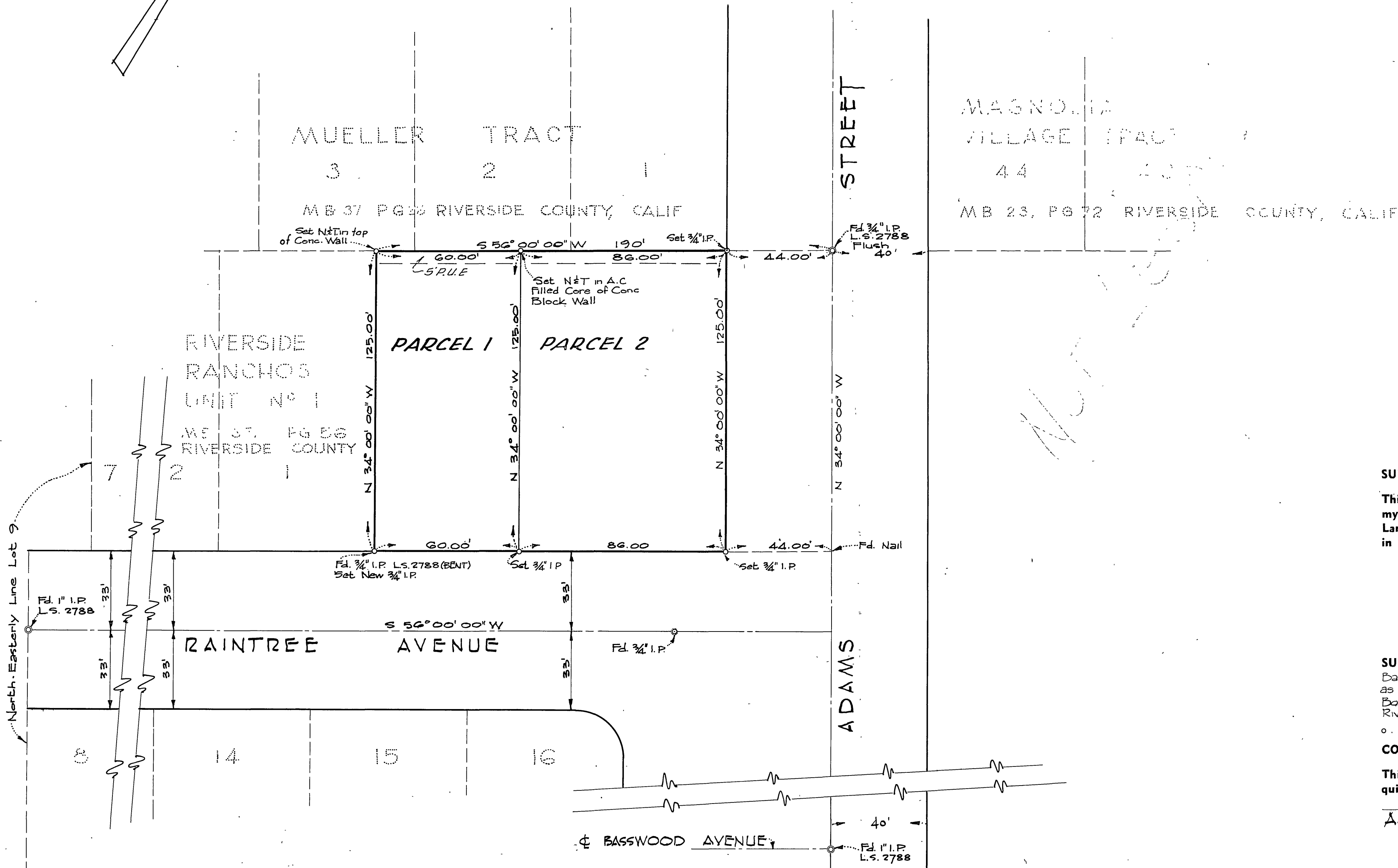
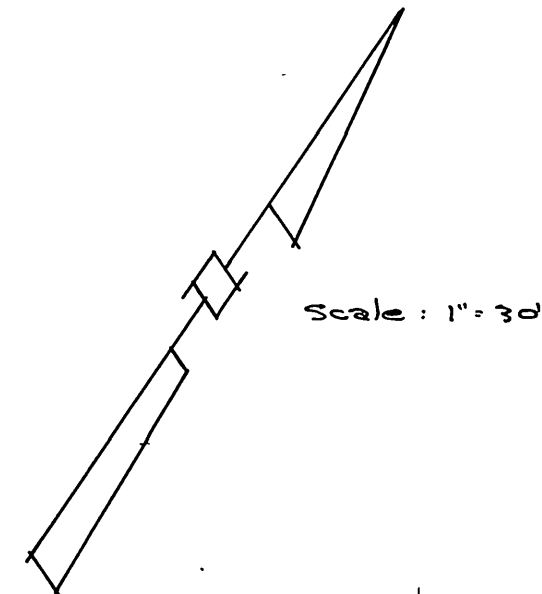
Scale : 1" = 30'

RECORDER'S CERTIFICATE

Filed for record this 10 day of JUNE, 1964 at 4:25 P.M. in Book 42 of Record of Surveys at page 81 at the request of the County Surveyor.

Fee \$5.00 W.D. BALOGH, County Recorder

No. _____ By Baron B. Vaughn



SURVEYOR'S CERTIFICATE

This map correctly represents a survey made by me or under my direction in conformance with the requirements of the Land Surveyors' Act at the request of Robert Rutter in Feb., 1964

Arthur Hawkins
LICENSED LAND SURVEYOR NO. 3163

SURVEYOR'S NOTE

Basis of Bearings is the ϕ of Adams Street (N34°00'00"W) as shown on California Downes Tract as recorded in Book 27 of Maps, Page 72, Records of Riverside County, California.

o . Indicates 3/4" Iron Pipe set, as noted, tagged R.E. 9455

COUNTY SURVEYOR'S CERTIFICATE

This map has been examined for conformance with the requirements of the Land Surveyors' Act this 8th day of June, 1964.

A.C. KEITH, County Surveyor

By J. M. Keith Deputy
R/S 52-80

R/S 42/81

R/S 42/81

8204