

IN THE CITY OF RIVERSIDE RECORD OF SURVEY

OF A PORTION OF LOT 11, BLOCK 6 OF CHADBOURNE HEIGHTS AS SHOWN BY MAP ON FILE IN BOOK 12, PAGES 11, 12, AND 13, RIVERSIDE COUNTY RECORDS IN SECTION 2, TOWNSHIP 3 SOUTH, RANGE 6 WEST, RANCHO LA SIERRA SEPULVEDA.

MAY, 1967

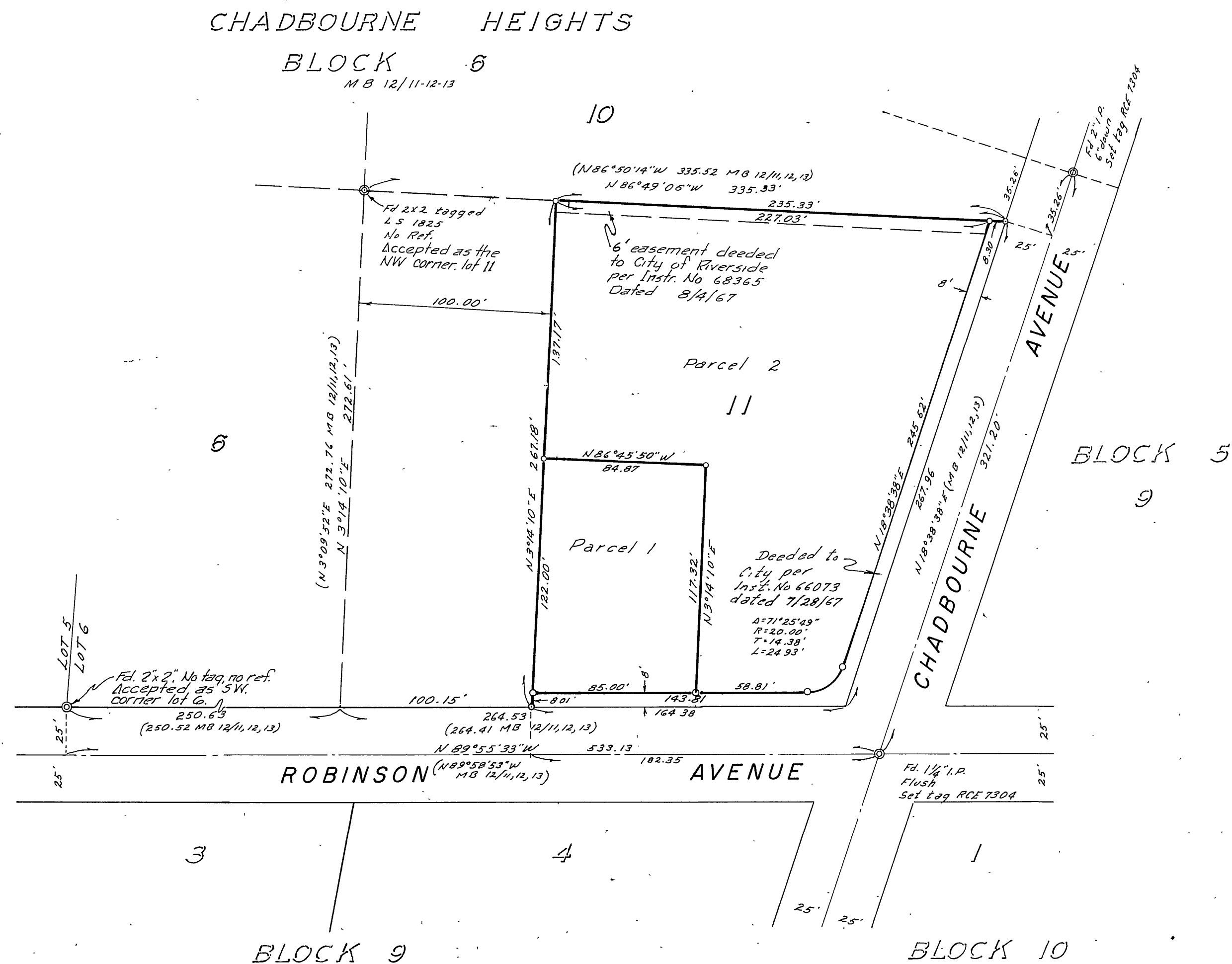
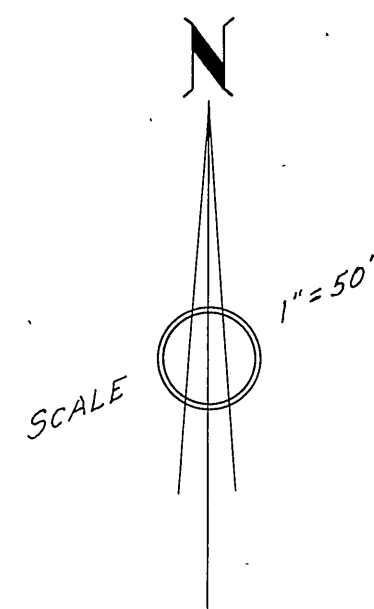
HUGH M. GALLAHER
R.C.E. 7304

SCALE: 1" = 50'

RECORDER'S CERTIFICATE

Filed for record this 3 day of OCTOBER 1967 at 2:15 P.M. in Book 51 of Record of Surveys at page 62 at the request of the County Surveyor.

Fee \$5.00 W.D. Balogh County Recorder
No. _____ By Doris B. Vaughan
Deputy



SURVEYORS NOTES:

Bearings are based on the center line of Chadbourne Avenue, shown as N18°38'38\"/>

- ⊙ Indicates points found as noted.
- Indicates 1\"/>

SURVEYOR'S CERTIFICATE

This map correctly represents a survey made by me or under my direction in conformance with the requirements of the Land Surveyors' Act at the request of M.O. Simpkins in May, 1967

Hugh M. Gallaher
R.C.E. 7304

COUNTY SURVEYOR'S CERTIFICATE

This map has been examined for conformance with the requirements of the Land Surveyors' Act this 26 day of September, 1967.

A.C. Keith County Surveyor

By J. R. Riddle
Deputy