

# IN THE COUNTY OF RIVERSIDE RECORD OF SURVEY

BEING A PORTION OF LOT 13, BLOCK 52 AND LOTS 3, 6, 9 THRU 13 AND 16 IN BLOCK 56 OF THE RIVERSIDE LAND AND IRRIGATING COMPANY AS SHOWN IN MAP BOOK I PAGE 44, RIVERSIDE COUNTY RECORDS AND A PORTION OF BLOCK 70 OF THE RIVERSIDE LAND AND IRRIGATING COMPANY AS SHOWN IN MAP BOOK I PAGE 70, SAN BERNARDINO COUNTY RECORDS AND A PORTION OF SECTION 28 IN T.3S., R.6W., AS SHOWN ON THE SECTIONIZED SURVEY OF RANCHO EL SOBRANTE DE SAN JACINTO RECORDED IN MAP BOOK I PAGE 8, SAN BERNARDINO COUNTY RECORDS.

RIVERSIDE COUNTY FLOOD CONTROL AND WATER CONSERVATION DISTRICT  
MAY 1972




### RECORDER'S CERTIFICATE

Filed this 25 day of SEPTEMBER 1972 at 2:20 P.M.  
in Book 58 of Record of Surveys at page 5 at the request  
of the County Surveyor. W.D. BALOGH 95-96-97  
County Recorder 98-99-100  
Fee None  
No. 128246 By Deputy

### NOTE:

PARCEL 1210-0 INDICATES RIVERSIDE COUNTY FLOOD CONTROL AND WATER CONSERVATION DISTRICT RIGHT OF WAY PARCEL NUMBERS.

### SURVEYOR'S NOTE:

1. IRON PIPE OR MONUMENTS FOUND AS NOTED, SHOWN THUS 
2. NOTHING SET, POSITION DETERMINED BY CALCULATION UNLESS OTHERWISE NOTED, SHOWN THUS 
3. BASIS OF BEARINGS FOR THIS SURVEY IS THE CENTER LINE OF MAGNOLIA AVE. (N55°46'07"E) PER R.S. 53/23-25. RIVERSIDE CO. RECORDS
4. SET 3/4" IRON PIPE WITH PLASTIC PLUG MKD. R.C.F.C. & W.C.D. SHOWN THUS 
5. DISTANCES IN FEET CALCULATED FROM DISTANCES IN CHAINS AS PER DEED FROM SAN JACINTO TIN COMPANY TO THE RIVERSIDE LAND AND IRRIGATING COMPANY PER BOOK P OF DEEDS PG. 448, RECORDS OF SAN BERNARDINO COUNTY.
6. DISTANCES PER RIVERSIDE WATER COMPANY F.B. 93 SHOWING RETRACEMENT OF MILLER LINE OF RIVERSIDE LAND AND IRRIGATING COMPANY 1890.

### SURVEYOR'S CERTIFICATE

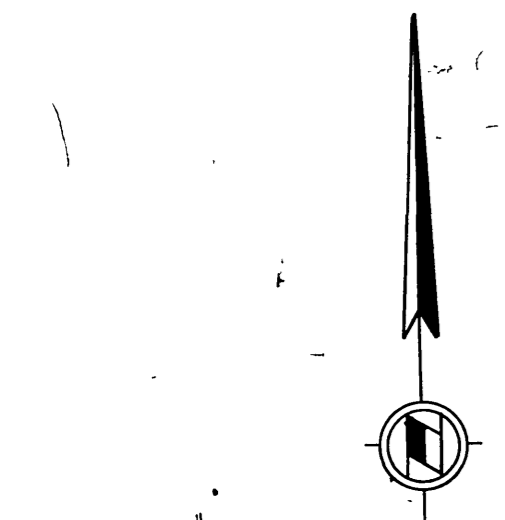
This map correctly represents a survey made by me or under my direction in conformance with the requirements of the Land Surveyors' Act at the request of Riverside County Flood Control and Water Conservation District in MAY 1972

John W. Bryant  
John W. Bryant Chief Engineer R.C.E. 8822

### COUNTY SURVEYOR'S CERTIFICATE

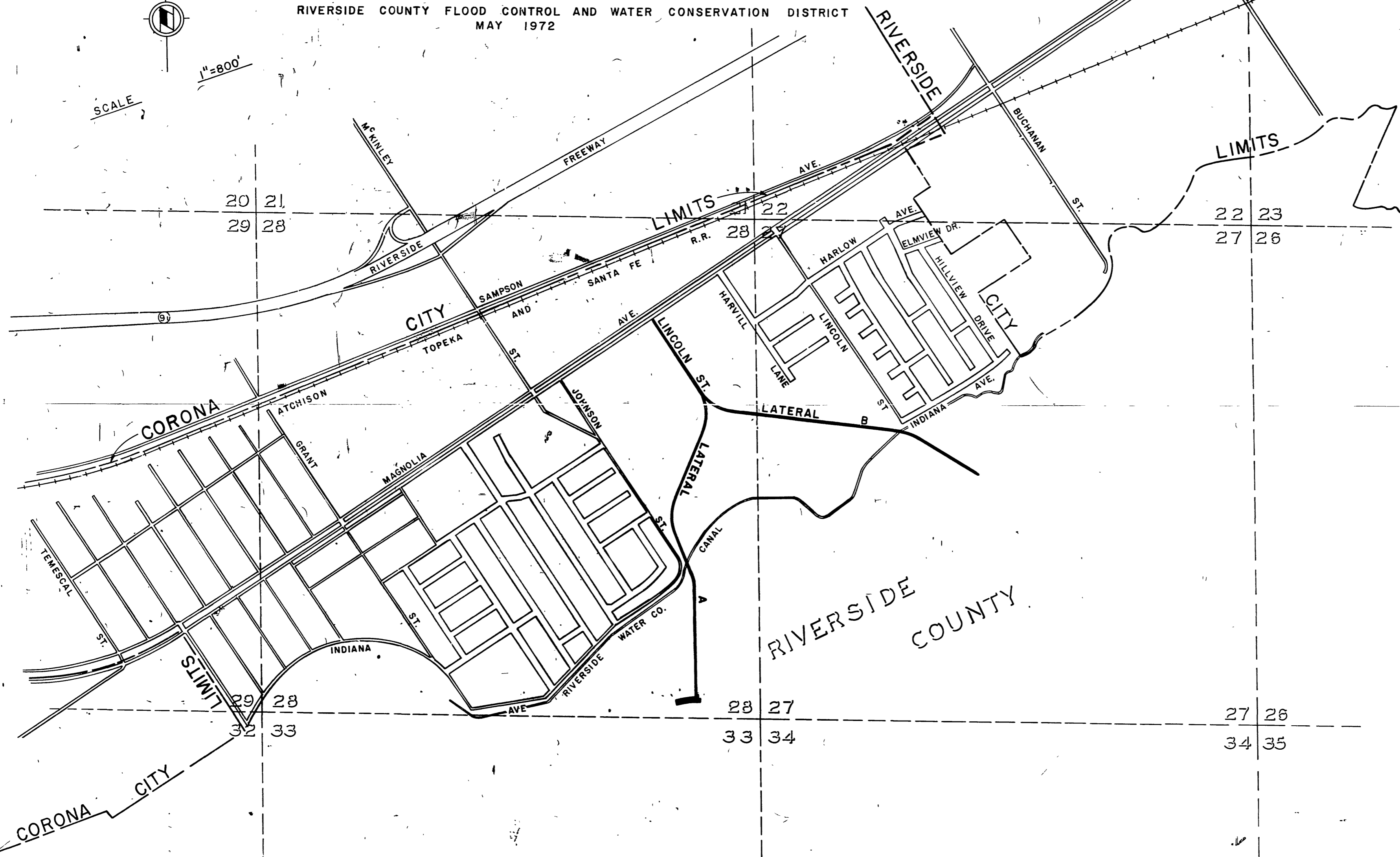
This map has been examined for conformance with the requirements of the Land Surveyors' Act this 22 day of September, 1972.

B. Douglas Powell, County Surveyor  
BY Deputy DEPUTY



SCALE

1"=800'



R/S 58/95

R/S 58/95

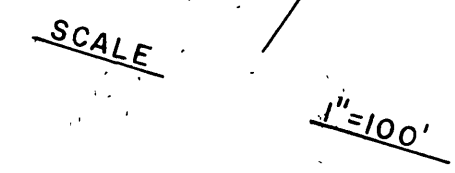
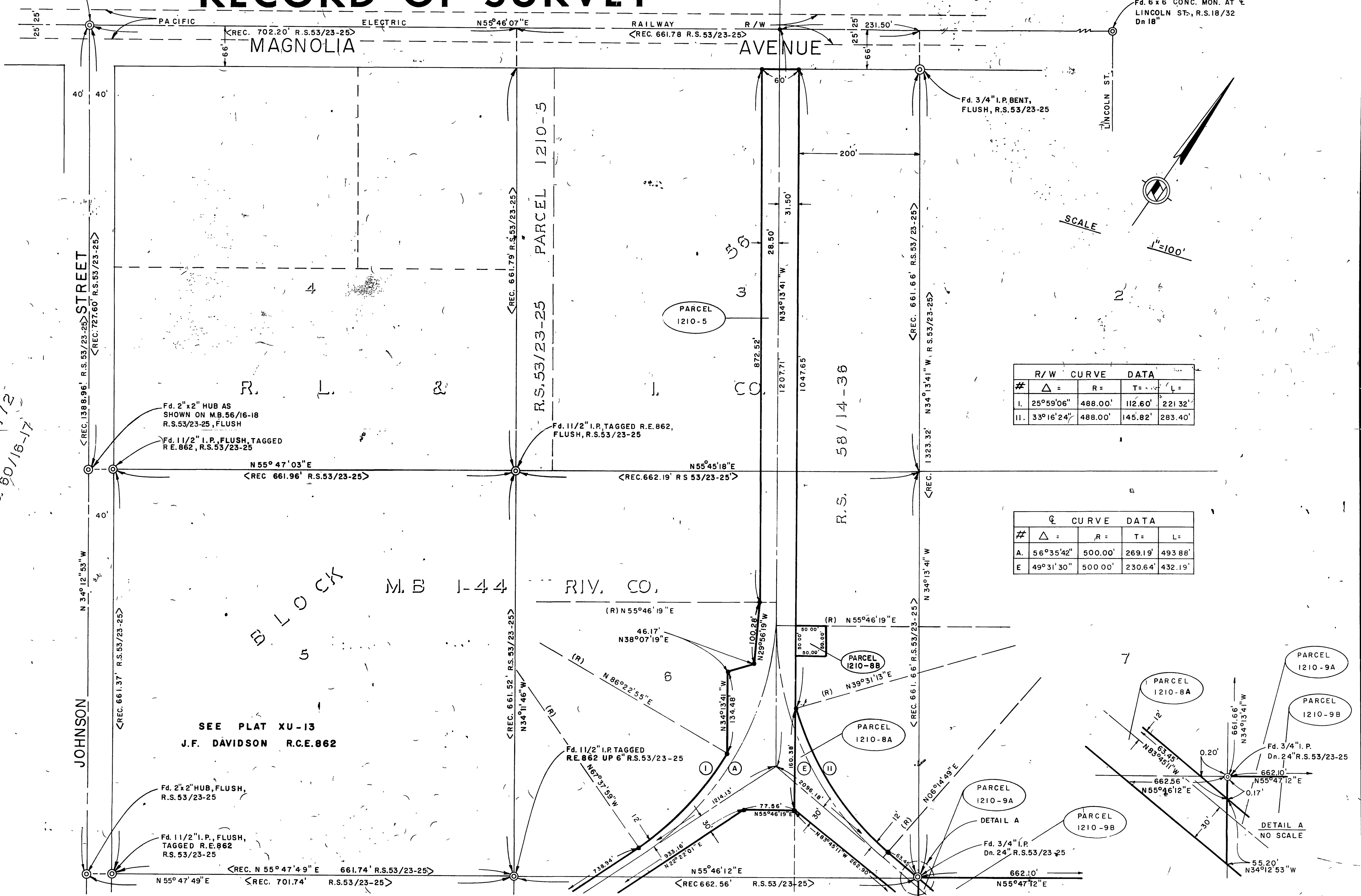
R.S. 58/95

# IN THE COUNTY OF RIVERSIDE RECORD OF SURVEY

R. S. 53/87-88

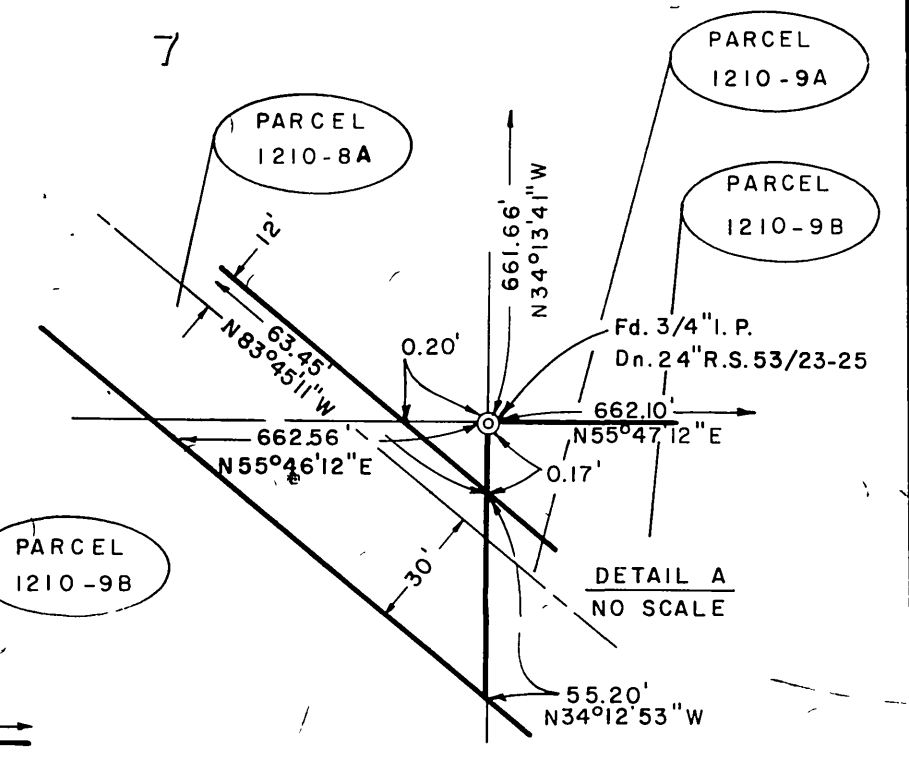
Fd. NAIL IN CONC.  
MON. Dn. 24"  
M.B. 51/7-8

Fd. 6"x6" CONC. MON. AT E  
LINCOLN ST., R.S. 18/32  
Dn 18"



R/W CURVE DATA				
#	Δ =	R =	T =	L =
I.	25°59'06"	488.00'	112.60'	221.32'
II.	33°16'24"	488.00'	145.82'	283.40'

C CURVE DATA				
#	Δ =	R =	T =	L =
A.	56°35'42"	500.00'	269.19'	493.88'
E	49°31'30"	500.00'	230.64'	432.19'



TRACT NO. 3772  
M.B. 60/16-17

SEE PLAT XU-13  
J.F. DAVIDSON R.C.E. 862

R/S 58/96

R/S 58/96

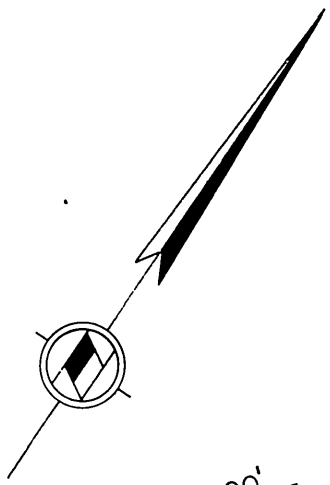
R.S. 58/96

# IN THE COUNTY OF RIVERSIDE RECORD OF SURVEY

SHEET NO. 3 OF 6 SHEETS

58/97

R/S 58/97



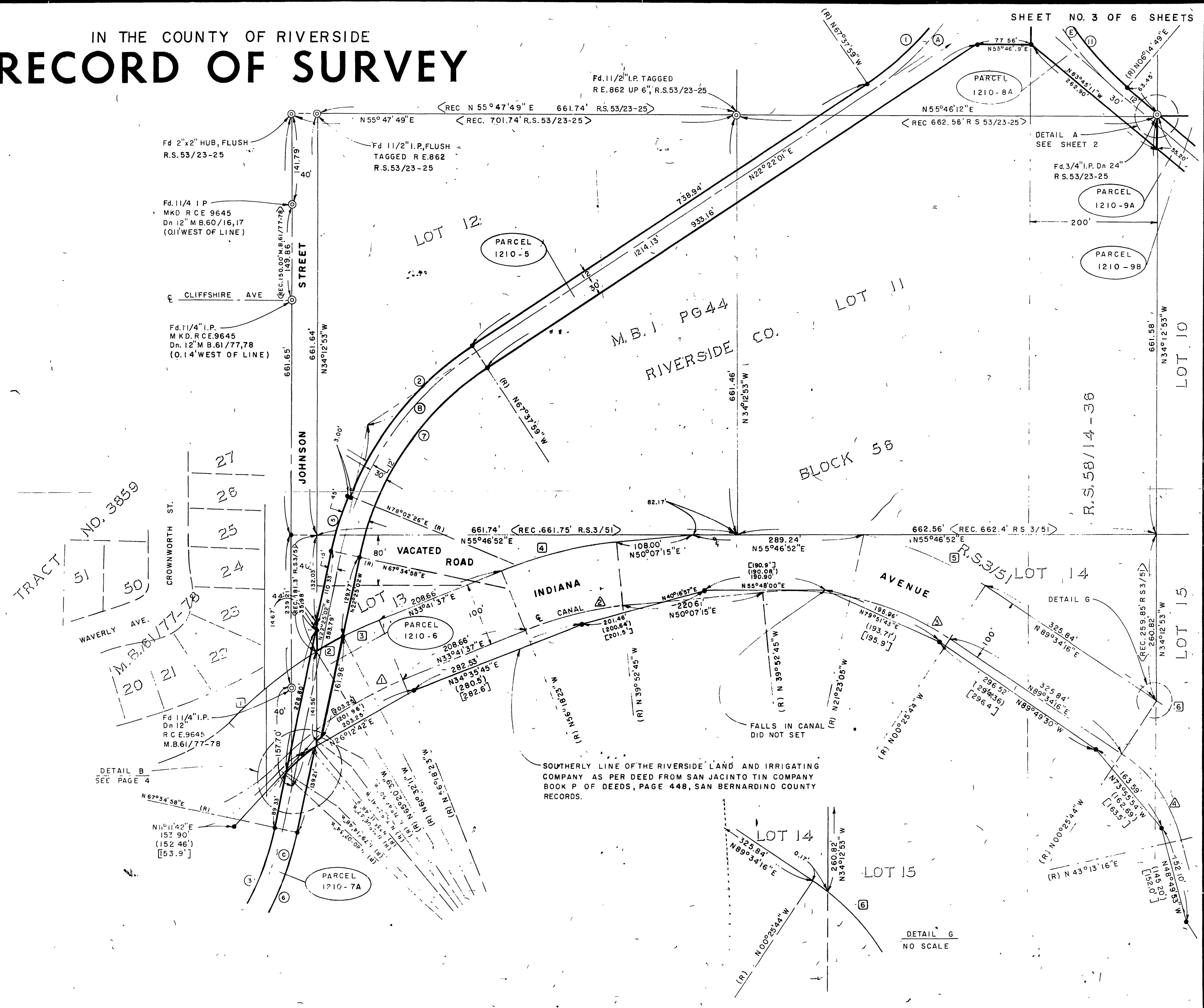
SCALE  
1"=100'

#	Δ =	R =	T =	L =
1	25°59'06"	488.00'	112.60'	221.32'
2	34°19'35"	512.00'	158.13'	306.74'
3	21°14'32"	488.00'	91.51'	180.92'
5	10°27'28"	515.00'	47.13'	94.00'
6	21°14'32"	525.00'	98.45'	194.64'
7	44°47'37"	470.00'	193.64'	367.37'
11	33°16'24"	488.00'	145.82'	283.40'

#	Δ =	R =	T =	L =
A	56°35'42"	510.00'	269.19'	493.88'
B	44°47'03"	507.00'	276.00'	391.81'
C	21°14'32"	500.00'	93.76'	185.37'
E	49°31'30"	500.00'	230.64'	432.11'

#	Δ =	R =	T =	L =
①	14°41'55"	691.12'	89.14'	177.30'
②	03°48'28"	691.12'	22.97'	45.93'
③	05°13'48"	691.12'	31.56'	63.09'
④	16°25'38"	653.95'	94.39'	187.49'
⑤	20°57'21"	552.39'	102.16'	202.04'
⑥	43°39'00"	320.73'	128.45'	244.34'

#	Δ =	R =	T =	L =
△	23°44'11"	591.12'	124.23'	244.89'
△	16°25'38"	553.95'	79.96'	158.82'
△	39°27'01"	452.39'	162.20'	311.49'
△	43°39'00"	220.73'	88.40'	168.16'



R.S. 58/97

R/S 58/97

# IN THE COUNTY OF RIVERSIDE RECORD OF SURVEY

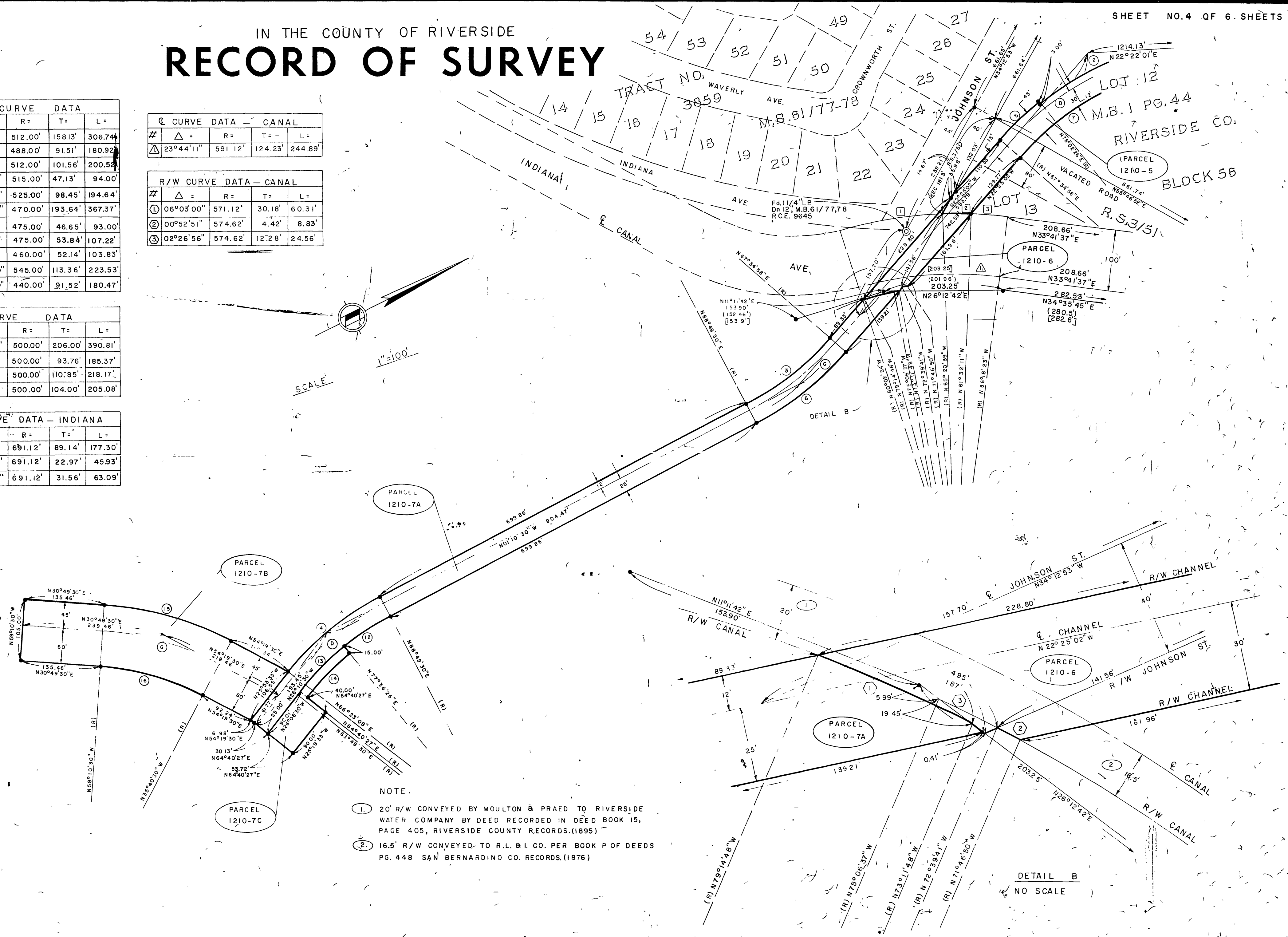
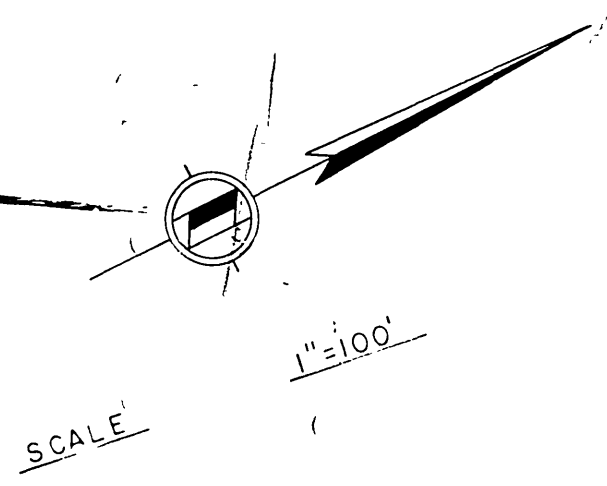
#	Δ =	R =	T =	L =
2.	34°19'35"	512.00'	158.13'	306.74'
3.	21°14'32"	488.00'	91.51'	180.92'
4.	22°26'22"	512.00'	101.56'	200.52'
5.	10°27'28"	515.00'	47.13'	94.00'
6.	21°14'32"	525.00'	98.45'	194.64'
7.	44°47'03"	470.00'	193.64'	367.37'
12.	11°13'04"	475.00'	46.65'	93.00'
13.	12°55'59"	475.00'	53.84'	107.22'
14.	12°55'59"	460.00'	52.14'	103.83'
15.	23°30'00"	545.00'	113.36'	223.53'
16.	23°30'00"	440.00'	91.52'	180.47'

#	Δ =	R =	T =	L =
①	23°44'11"	591.12'	124.23'	244.89'

#	Δ =	R =	T =	L =
①	06°03'00"	571.12'	30.18'	60.31'
②	00°52'51"	574.62'	4.42'	8.83'
③	02°26'56"	574.62'	12.28'	24.56'

#	Δ =	R =	T =	L =
B.	44°47'03"	500.00'	206.00'	390.81'
C.	21°14'32"	500.00'	93.76'	185.37'
D.	25°00'00"	500.00'	110.85'	218.17'
G.	23°30'00"	500.00'	104.00'	205.08'

#	Δ =	R =	T =	L =
①	14°41'55"	691.12'	89.14'	177.30'
②	03°48'28"	691.12'	22.97'	45.93'
③	05°13'48"	691.12'	31.56'	63.09'



NOTE.

- 20' R/W CONVEYED BY MOULTON & PRAED TO RIVERSIDE WATER COMPANY BY DEED RECORDED IN DEED BOOK 15, PAGE 405, RIVERSIDE COUNTY RECORDS. (1895)
- 16.5' R/W CONVEYED TO R.L. & I. CO. PER BOOK P OF DEEDS PG. 448 SAN BERNARDINO CO. RECORDS. (1876)

DETAIL B  
NO SCALE

R/S 58/98

R/S 58/98

RS 58/98

58/99

# IN THE COUNTY OF RIVERSIDE RECORD OF SURVEY

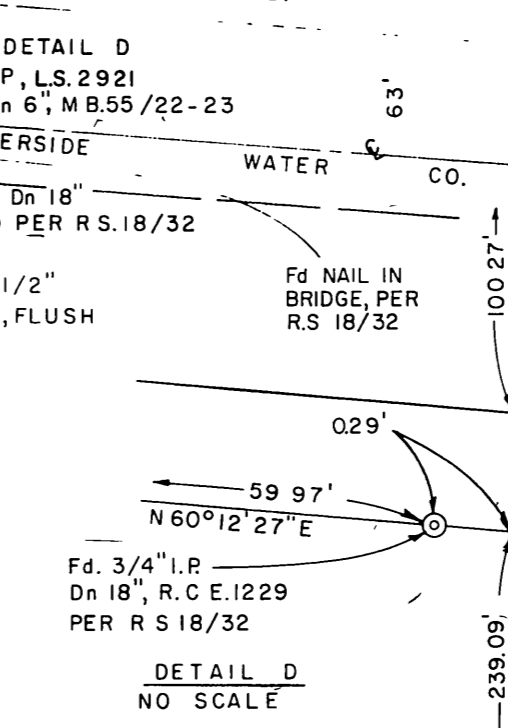
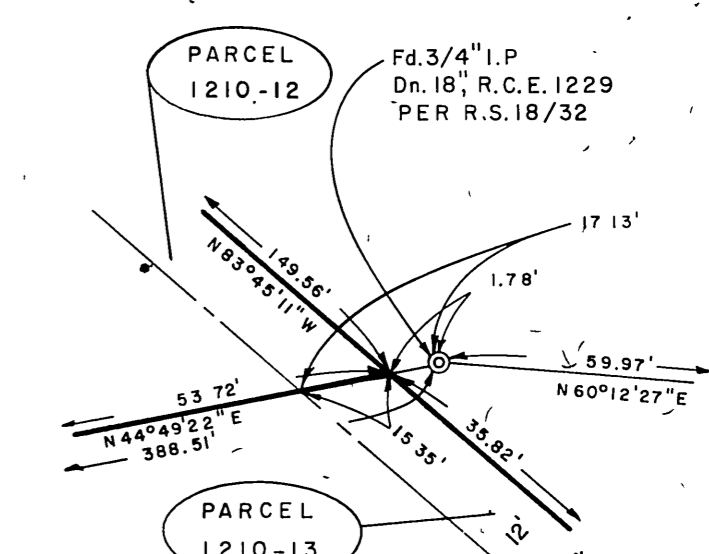
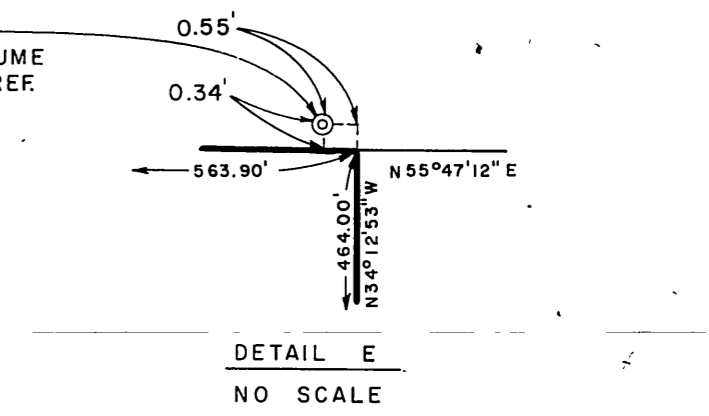
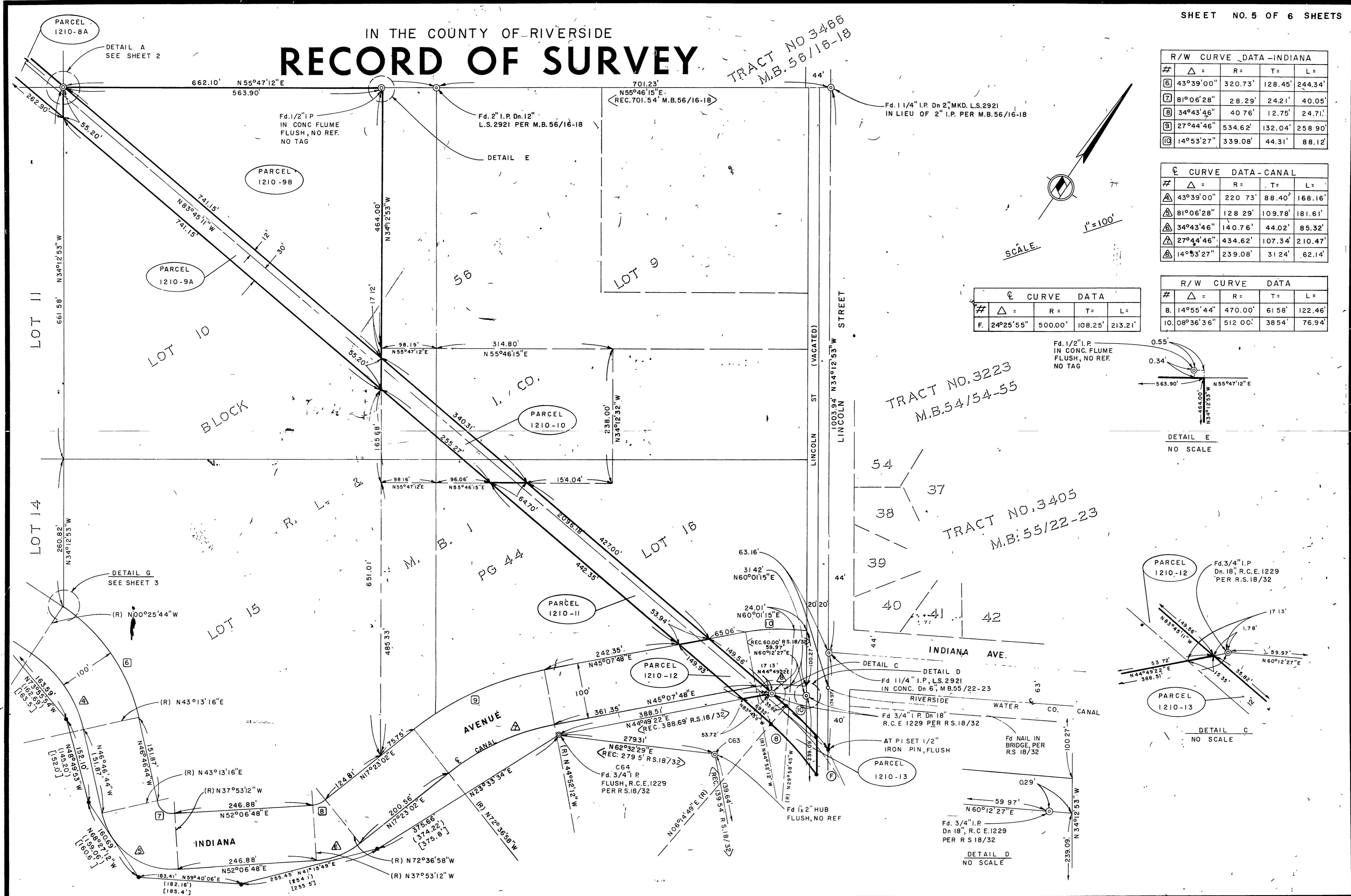
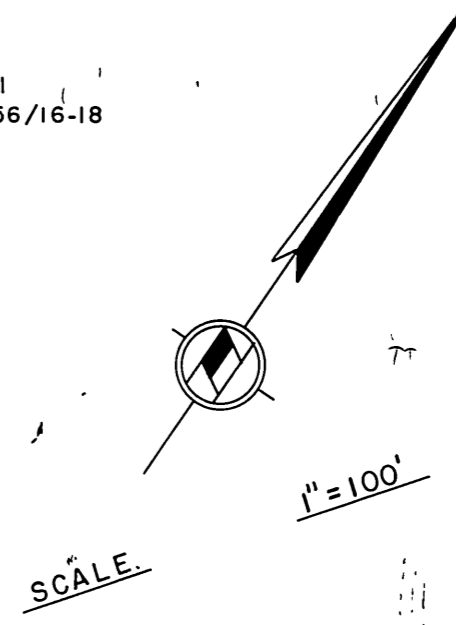
TRACT NO 3466  
M.B. 56/16-18

R/W CURVE DATA - INDIANA				
#	Δ =	R =	T =	L =
6	43°39'00"	320.73'	128.45'	244.34'
7	81°06'28"	28.29'	24.21'	40.05'
8	34°43'46"	40.76'	12.75'	24.71'
9	27°44'46"	534.62'	132.04'	258.90'
10	14°53'27"	339.08'	44.31'	88.12'

C CURVE DATA - CANAL				
#	Δ =	R =	T =	L =
Δ	43°39'00"	220.73'	88.40'	168.16'
Δ	81°06'28"	128.29'	109.78'	181.61'
Δ	34°43'46"	140.76'	44.02'	85.32'
Δ	27°44'46"	434.62'	107.34'	210.47'
Δ	14°53'27"	239.08'	31.24'	62.14'

C CURVE DATA				
#	Δ =	R =	T =	L =
F	24°25'55"	500.00'	108.25'	213.21'

R/W CURVE DATA				
#	Δ =	R =	T =	L =
8	14°55'44"	470.00'	61.58'	122.46'
10	08°36'36"	512.00'	38.54'	76.94'



R/S 58/99

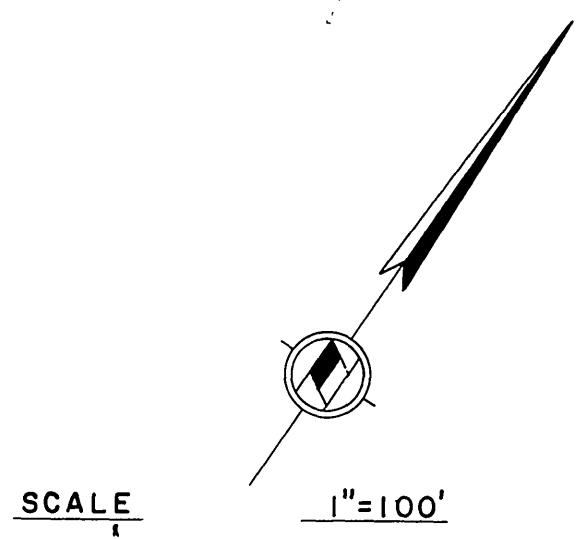
R/S 58/99

RS 58/99

# IN THE COUNTY OF RIVERSIDE RECORD OF SURVEY

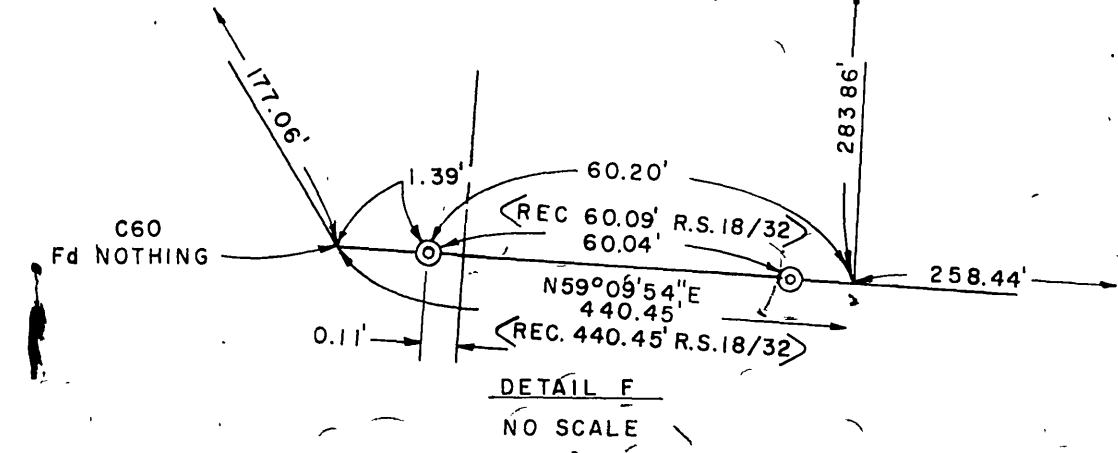
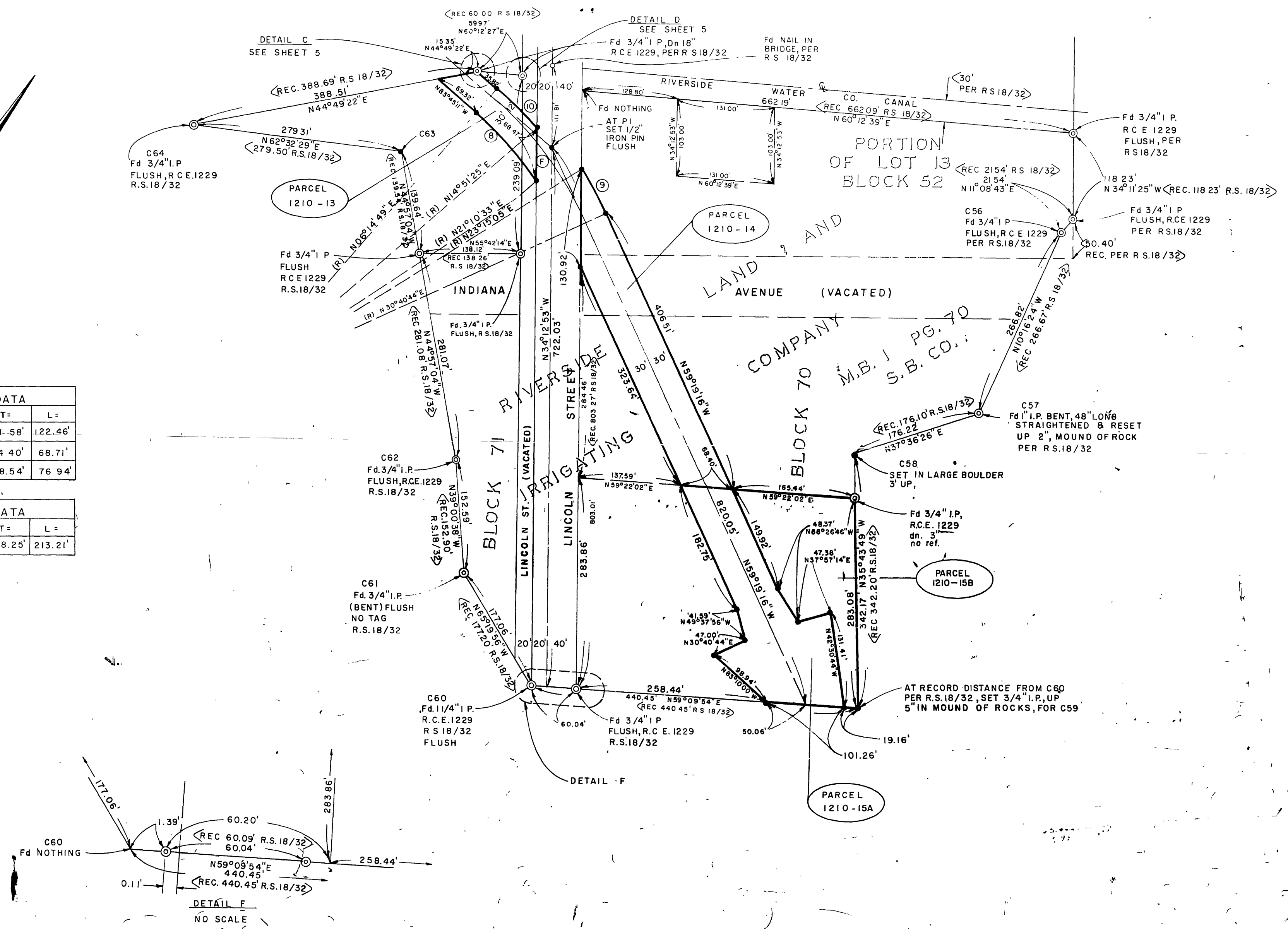
58/100

R/S 58/100



#	Δ	R=	T=	L=
8.	14°55'44"	470.00'	61.58'	122.46'
9.	07°25'39"	530.00'	34.40'	68.71'
10.	08°36'36"	512.00'	38.54'	76.94'

#	Δ	R=	T=	L=
F.	24°25'55"	500.00'	108.25'	213.21'



R/S 58/100

RS 58/100