

IN THE CITY OF RIVERSIDE, COUNTY OF RIVERSIDE, STATE OF CALIFORNIA
RECORD OF SURVEY

OF A PORTION OF BLOCK 11, RANGE 9 AND A PORTION OF BLOCK 12, RANGE 11 OF THE TOWN OF RIVERSIDE AS SHOWN ON MAP ON FILE IN BOOK 7 OF MAPS, AT PAGE 17 THEREOF, RECORDS OF SAN BERNARDINO COUNTY, IN THE JURUPA RANCHO.

BEELER, KRIEGER & STEWART

NOVEMBER, 1978

SHEET ONE OF ONE SHEET

RECORDER'S CERTIFICATE

FILED THIS 29th DAY OF Aug 1978, AT 9:00 A.M. IN BOOK 17 OF RECORD OF SURVEYS AT PAGE 17 AT THE REQUEST OF THE COUNTY SURVEYOR.

FEE 1076
 NR 197787

DONALD D. SULLIVAN
 COUNTY RECORDER

BY: *Janora S. McClellan*
 DEPUTY

SURVEYOR'S CERTIFICATE

THIS MAP CORRECTLY REPRESENTS A SURVEY MADE BY ME OR UNDER MY DIRECTION IN CONFORMANCE WITH THE REQUIREMENTS OF THE LAND SURVEYOR'S ACT AT THE REQUEST OF THE RIVERSIDE COUNTY BOARD OF EDUCATION, IN NOVEMBER, 1978.

Joseph N. Beeler
 Joseph N. Beeler
 Licensed Land Surveyor 4055

SURVEYOR'S NOTES

BASIS OF BEARINGS IS THE CENTERLINE OF TWELFTH STREET, BETWEEN LOCUST ST. & BROCKTON AVE., BEING N60°51'30"W PER R.S. 48/99.

○ INDICATES SET 1 1/4" O.D. GALV. IRON PIPE TAGGED L.S. 4055, FLUSH, UNLESS OTHERWISE INDICATED.

● INDICATES FOUND MONUMENTS AS NOTED.

C.R.F.B. INDICATES CITY OF RIVERSIDE FIELD BOOK.

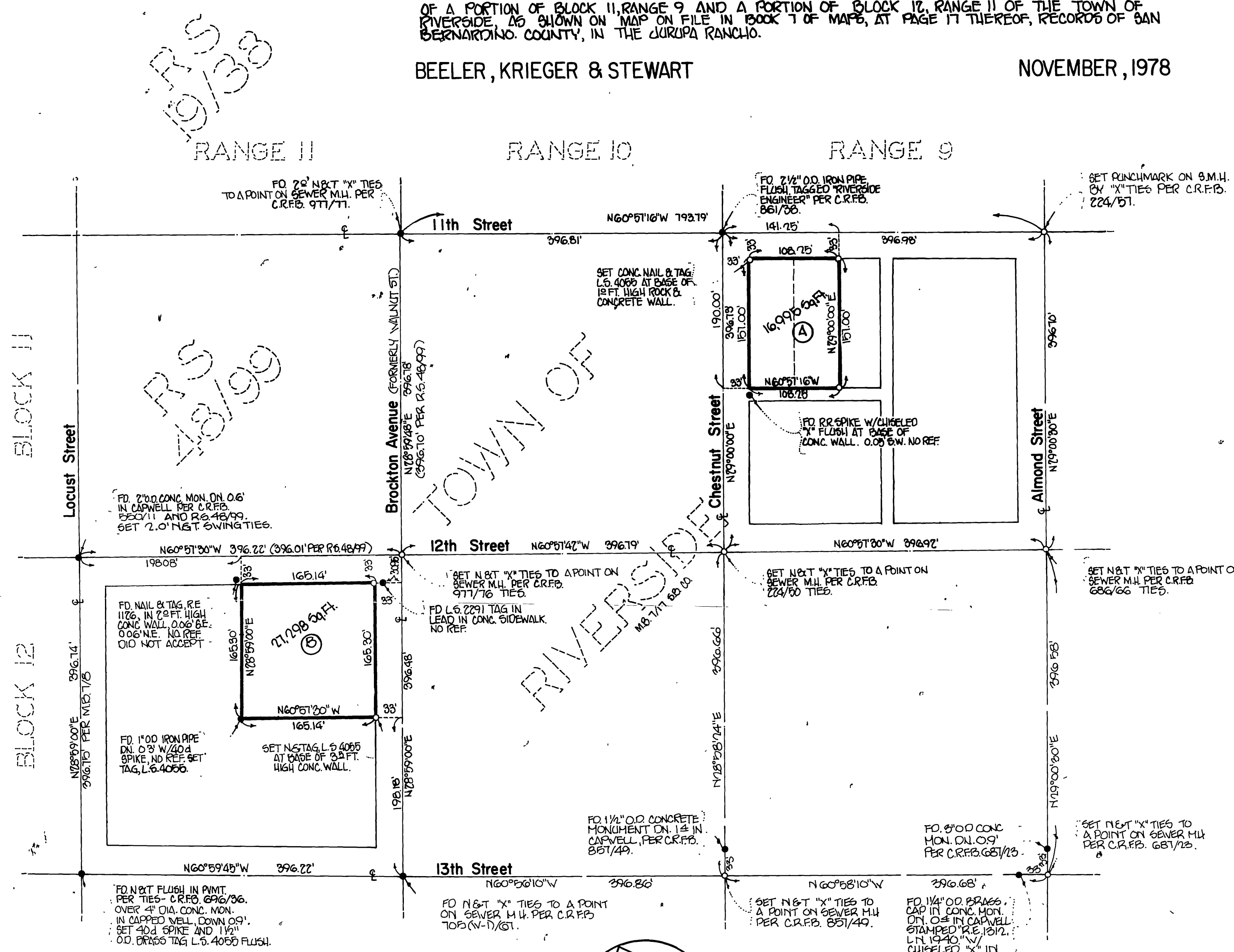
(A) PER INST. NO. 62973 REC. 4-3-78.

(B) PER INST. NO. 70917 REC. 4-13-78.

COUNTY SURVEYOR'S CERTIFICATE

THIS MAP HAS BEEN EXAMINED FOR CONFORMANCE WITH THE REQUIREMENTS OF THE LAND SURVEYOR'S ACT THIS 15th DAY OF AUGUST, 1978.

A.E. NEWCOMB
 COUNTY SURVEYOR
 BY: *William A. Hunter*
 DEPUTY



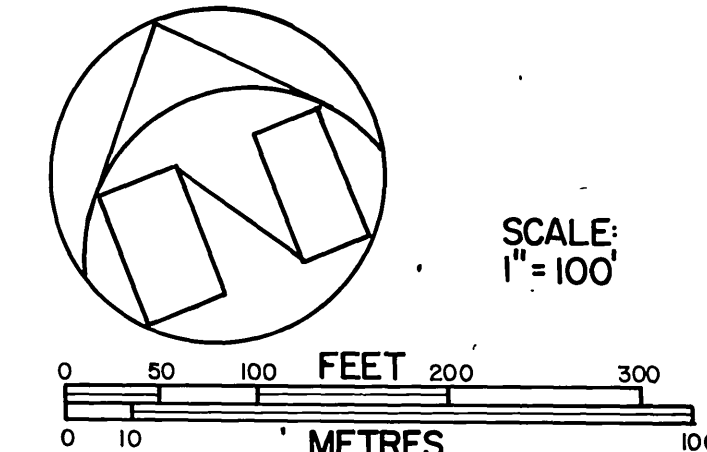
RS 19/38

RS 48/99

TOWN OF RIVERSIDE

ERDICE'S SUBDIVISION
 118 7/8

BLOCK 11
 BLOCK 12



RS 65/96

RS 65/96

RS 65/96