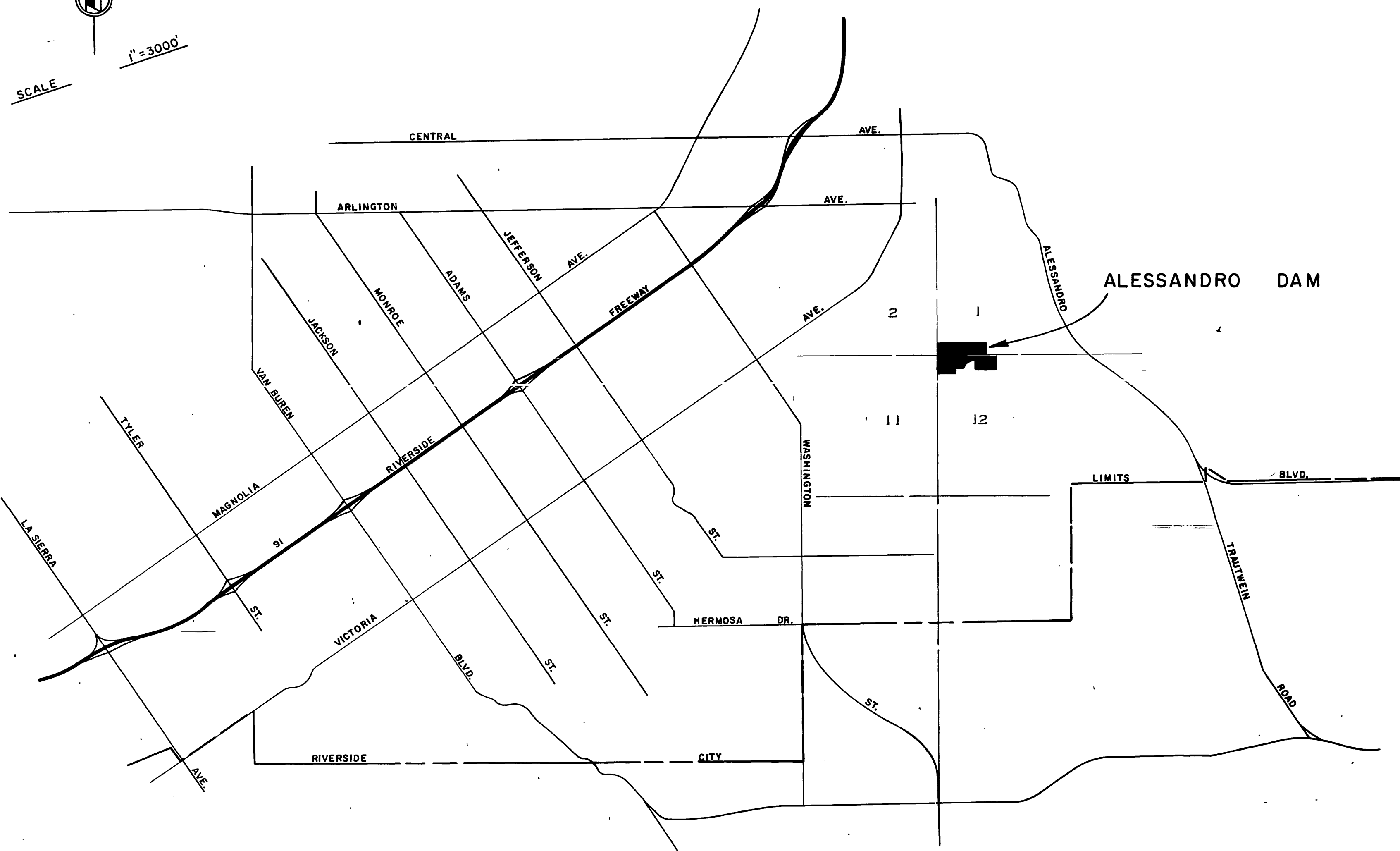
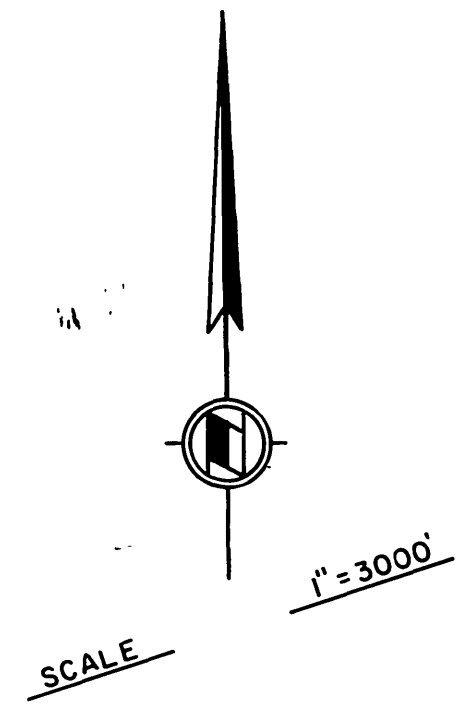


IN THE CITY OF RIVERSIDE
IN THE COUNTY OF RIVERSIDE
RECORD OF SURVEY

BEING A PORTION OF SECTIONS 1 AND 12 IN TOWNSHIP 3 SOUTH,
RANGE 5 WEST, SAN BERNARDINO BASE AND MERIDIAN

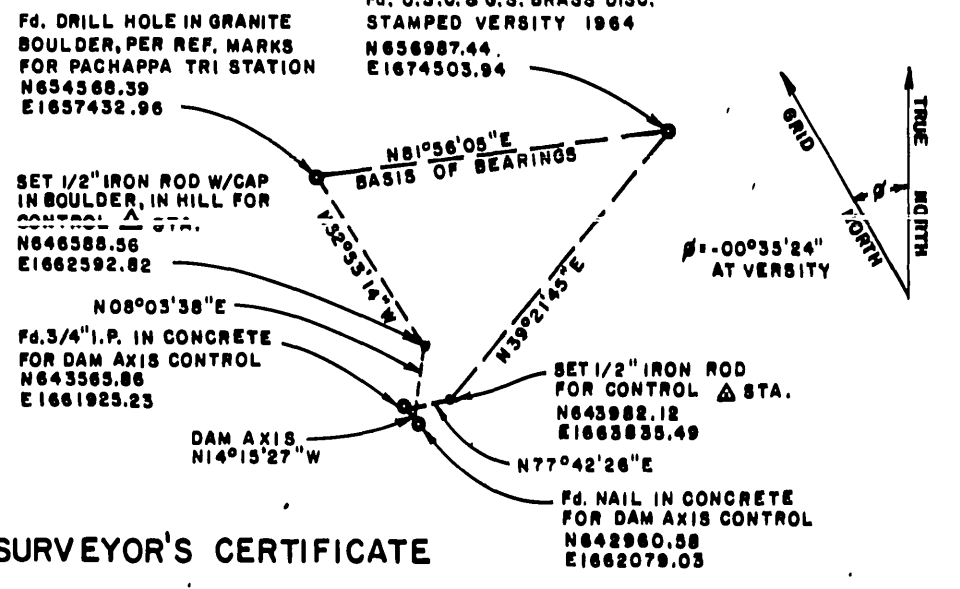
RIVERSIDE COUNTY FLOOD CONTROL AND WATER CONSERVATION DISTRICT
MARCH 1981



RECORDER'S CERTIFICATE
Filed this 21 day of AUG, 1981 at 2:45 P.M.
in Book 67 of Record of Surveys at pages 91-92 at the request
of the County Surveyor.
DONALD D. SULLIVAN
County Recorder
Fee \$10.00
No. 159703 By Debbie Ann Steger Deputy

NOTE:
PARCEL 1043-0 INDICATES RIVERSIDE COUNTY FLOOD CONTROL AND WATER CONSERVATION DISTRICT RIGHT OF WAY PARCEL NUMBERS.

- SURVEYOR'S NOTE:**
1. IRON PIPE OR MONUMENTS FOUND AS NOTED, SHOWN THUS
 2. NOTHING SET, POSITION DETERMINED BY CALCULATION UNLESS OTHERWISE NOTED, SHOWN THUS
 3. SET 3/4" IRON PIPE WITH PLASTIC PLUG MKD, R.C.F.C. & W.C.D. SHOWN THUS (SET FLUSH)
 4. BASIS OF BEARINGS FOR THIS SURVEY IS THE CALIFORNIA STATE PLANE COORDINATE SYSTEM-ZONE 6, BASED LOCALLY ON TRI STA'S "PACHAPPA" & "VERSITY"



SURVEYOR'S CERTIFICATE
This map correctly represents a survey made by me or under my direction in conformance with the requirements of the Land Surveyor's Act of the request of Riverside County Flood Control and Water Conservation District in JANUARY 1981
Kenneth L. Edwards
KENNETH L. EDWARDS Chief Engineer R.C.E. 12400

COUNTY SURVEYOR'S CERTIFICATE
This map has been examined for conformance with the requirements of the Land Surveyor's Act this 21 day of AUGUST, 1981.
A.E. NEWCOMB County Surveyor
By William A. Hunter Deputy

R.S. 67/91

R.S. 67/91

RS. 67/91

R.S. 52/47
PAR 3
M.B. 11/89-90

IN THE CITY OF RIVERSIDE IN THE COUNTY OF RIVERSIDE RECORD OF SURVEY

M.B. 2/12

R.S. 24/89

P.M. 20/82-83

R.S. 19/33

M.B. 5/148

R.S. 48/16

R.S. 24/57



SCALE
1"=200'

2	1
11	12

WITH HOLE IN CENTER
PLACED 2" I.P. IN HOLE
TAGGED R.C.F.C. & W.C.D., UP 0.3'
PER R.S. 52/47, R.S. 24/49,
R.S. 19/33, P.M. 20/82-83

(1320.85' R.S. 38/52)
(1320.85' P.M. 20/82-83)
(1320.85' R.S. 38/52)
(1320.85' P.M. 20/82-83)

(1320.85' R.S. 38/52)
(1320.85' P.M. 20/82-83)
(1320.85' R.S. 38/52)
(1320.85' P.M. 20/82-83)

Fd. 1 1/2" I.P.
TAGGED R.C.F.C. & W.C.D.
UP 7.2', PER R.S. 11/89-90,
R.S. 52/47, R.S. 19/33

Fd. 1 1/4" I.P.
TAGGED R.C.F.C. & W.C.D.
FLUSH, BY A 4"x4" POST, R.S. 48/16
ACCEPTED AS N.W. COR. OF PARCEL

Fd. NAIL IN GRANITE
FOR DAM AXIS
NO TAG, NO REF.
FLUSH, ACCEPTED AS
POINT ON R/W & DAM
AXIS, SET R.C.F.C. & W.C.D.
TAG

Fd. 3/4" I.P.
IN DAM AXIS PER
R.C.F.C. & W.C.D. R.S. 14

Fd. 1 1/4" I.P.
TAGGED R.C.F.C. & W.C.D.
FLUSH, NO REF. ACCEPTED
AS POINT ON S.W. COR. OF
DAM AXIS PARCEL

Fd. NAIL IN CONC.
FOR DAM AXIS
NO TAG, PER R.C.F.C. & W.C.D.
R.S. 14, FLUSH, ACCEPTED AS
POINT ON R/W & DAM AXIS, SET
R.C.F.C. & W.C.D. TAG

Fd. 1 1/4" I.P.
TAGGED R.C.F.C. & W.C.D.
FLUSH, PER P.M. 20/82-83
R.S. 38/52, ACCEPTED AS
1/16 COR.

Fd. 1 1/2" I.P.
TAGGED R.C.F.C. & W.C.D.
R.S. 48/16, UP 1", ACCEPTED AS
POINT ON N.E. COR. OF DAM
AXIS PARCEL & POINT ON
SEC. LINE

Fd. 1" I.P.
TAGGED R.C.F.C. & W.C.D.
NO REF., FLUSH, ACCEPTED
AS POINT ON R/W LINE

Fd. 1" I.P.
TAGGED R.C.F.C. & W.C.D.
NO REF., FLUSH, ACCEPTED
AS POINT ON S.E. COR. OF
DAM AXIS PARCEL

Fd. 1" I.P.
TAGGED R.C.F.C. & W.C.D.
NO REF., FLUSH, ACCEPTED
AS POINT ON R/W LINE

Fd. 1" I.P.
TAGGED R.C.F.C. & W.C.D.
NO REF., FLUSH, ACCEPTED
AS POINT ON R/W LINE

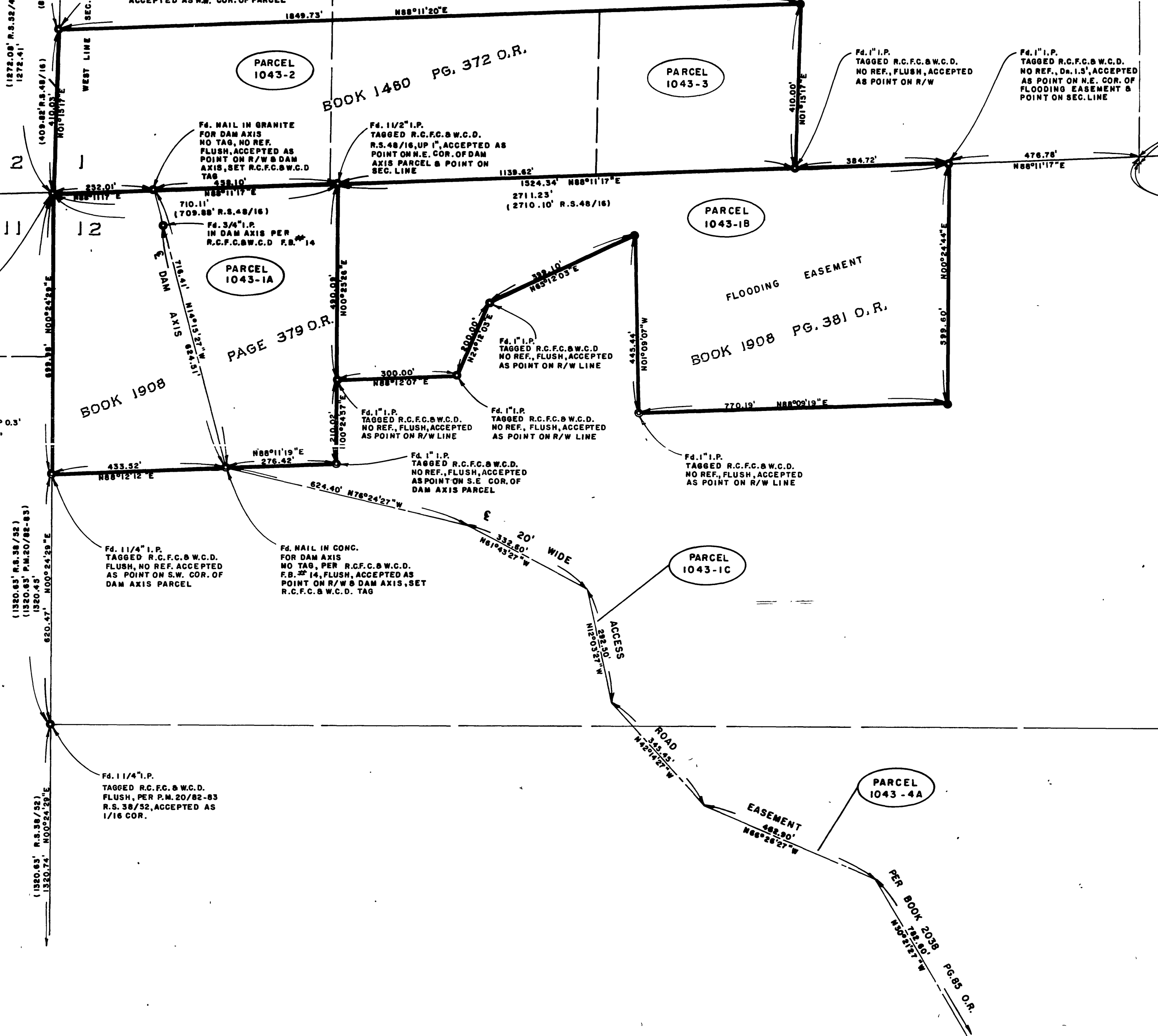
Fd. 1" I.P.
TAGGED R.C.F.C. & W.C.D.
NO REF., FLUSH, ACCEPTED
AS POINT ON R/W LINE

Fd. 1" I.P.
TAGGED R.C.F.C. & W.C.D.
NO REF., FLUSH, ACCEPTED
AS POINT ON R/W LINE

Fd. 1" I.P.
TAGGED R.C.F.C. & W.C.D.
NO REF., FLUSH, ACCEPTED
AS POINT ON R/W

Fd. 1" I.P.
TAGGED R.C.F.C. & W.C.D.
NO REF., D.L. 1.3', ACCEPTED
AS POINT ON N.E. COR. OF
FLOODING EASEMENT &
POINT ON SEC. LINE

NOTE:
ON DECEMBER 2, 1955
FOUND A 4"x4" POST MKD.
1/4" WITH A 2"x4" POST 9.25'
SOUTH MKD. W.C., PER G.L.O., R.S. 24/57
SEE R.C.F.C. & W.C.D. ALESSANDRO
DAM F.B. IN JANUARY 1981 SEARCHED
FOR THESE POINTS BUT FOUND NOTHING.
REF. R.S. 24/56, SET NOTHING

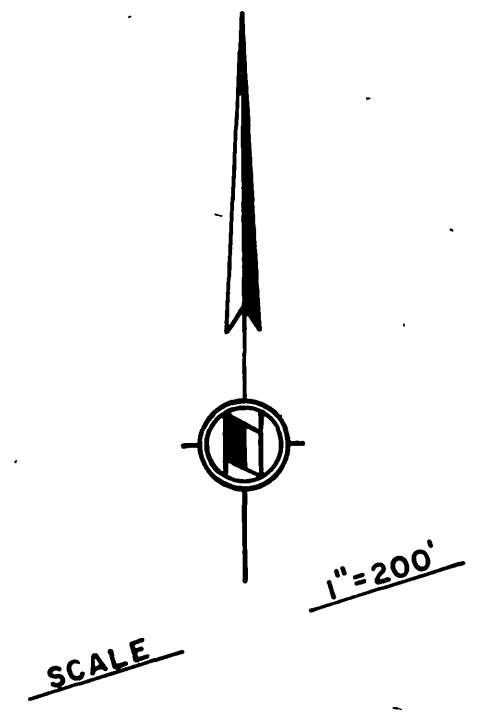


R.S. 67/92

R.S. 67/92

R.S. 67/92

IN THE CITY OF RIVERSIDE IN THE COUNTY OF RIVERSIDE RECORD OF SURVEY



Fd. 1 1/4" I.P.
TAGGED R.C.E. 9876
NO REF., FLUSH, ACCEPTED
AS POINT ON SECTION LINE
ACCEPTED IN LIEU OF 2" I.P.
FOR 1/4 COR., PER R.S. 38/52,
M.B. 12/39-41

PARCEL
1043-5A

PARCEL
1043-4A

PARCEL
1043-6

PARCEL
1043-5B

PARCEL
1043-4B

PARCEL
1043-8

PARCEL
1043-7

NOTE:
THE DEED CONVEYING THIS
EASEMENT (BOOK 2038 PG. 85 O.R.)
CALLS THIS DISTANCE 437.40 FEET,
THE FIELD BOOK ON ALESSANDRO DAM
AND CALCULATIONS BY DAVID MANN
R.C.E. # 10135 SHOW THIS DISTANCE
AS 473.40 FEET

M.B. 12/39-41

20' WIDE ACCESS

ROAD

EASEMENT

PER BOOK 2038
PG. 85 O.R.

TIE LINE

Fd. 2" I.P.
IN CONC., NO TAG
FLUSH, PER R.S. 35/69
R.S. 38/52, M.B. 12/39-41
ACCEPTED AS SEC. COR.
SET R.C.F.C. & W.C.D. TAG

R.S. 35/69

R.S. 67/93

R.S. 67/93

R.S. 67/93