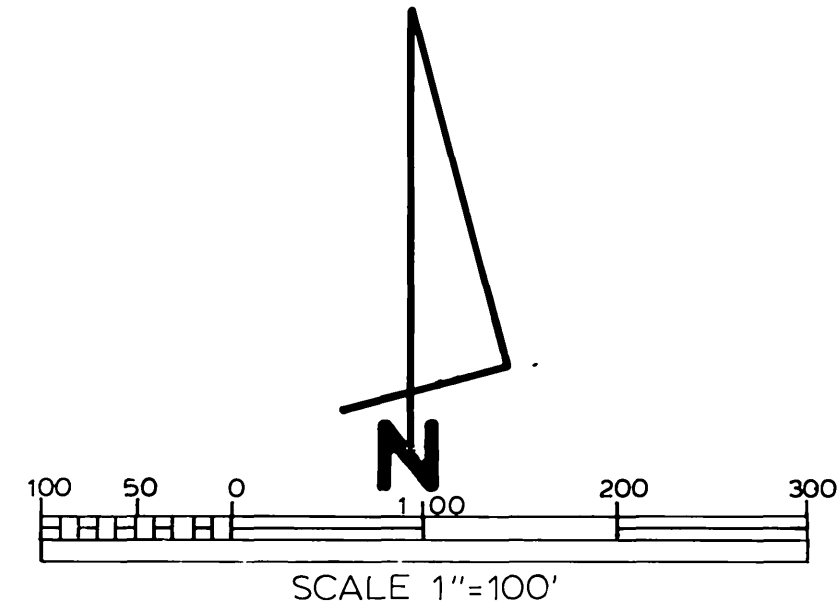
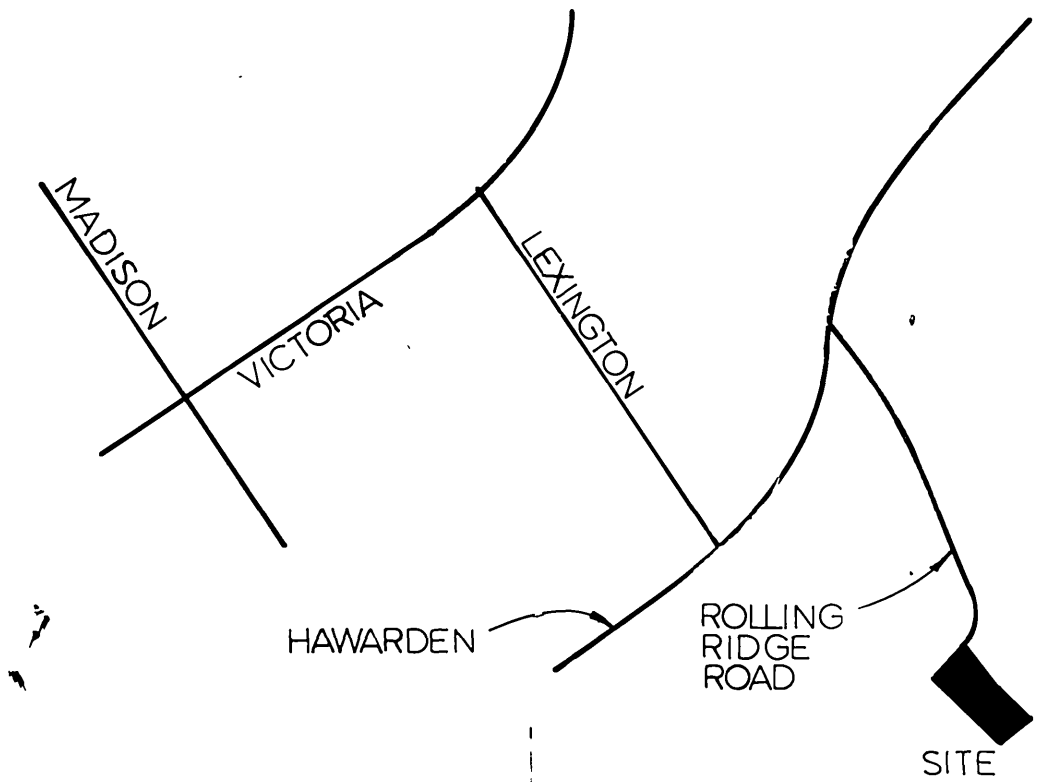


IN THE CITY OF RIVERSIDE, COUNTY OF RIVERSIDE, CALIF.  
**RECORD OF SURVEY**  
OF LOT 4 OF TRACT MAP 10853 RECORDED  
IN BOOK 111 PAGES 89 AND 90 RECORDS  
OF RIVERSIDE COUNTY, CALIFORNIA

JERRY M. IRBY  
SEPTEMBER 1985

VICINITY MAP - NO SCALE



**RECORDER'S CERTIFICATE**

FILED THIS 26th DAY OF DECEMBER, 1985  
AT 10:00 A.M. IN BOOK 115 OF RECORDS  
OF SURVEY, AT PAGE 3, AT THE REQUEST OF  
THE COUNTY SURVEYOR  
WILLIAM E. CONERLY  
COUNTY RECORDER  
FEE \$6.00  
No 290574  
BY Santa Fe  
DEPUTY

**SURVEYOR'S STATEMENT**

THIS MAP CORRECTLY REPRESENTS A SURVEY  
MADE BY ME OR UNDER MY DIRECTION IN  
CONFORMANCE WITH THE REQUIREMENTS OF  
THE LAND SURVEYORS' ACT, AT THE REQUEST  
OF JOE MAYS IN SEPTEMBER, 1985

Jerry M. Irby  
JERRY M IRBY LS 3828

**SURVEYOR'S NOTES**

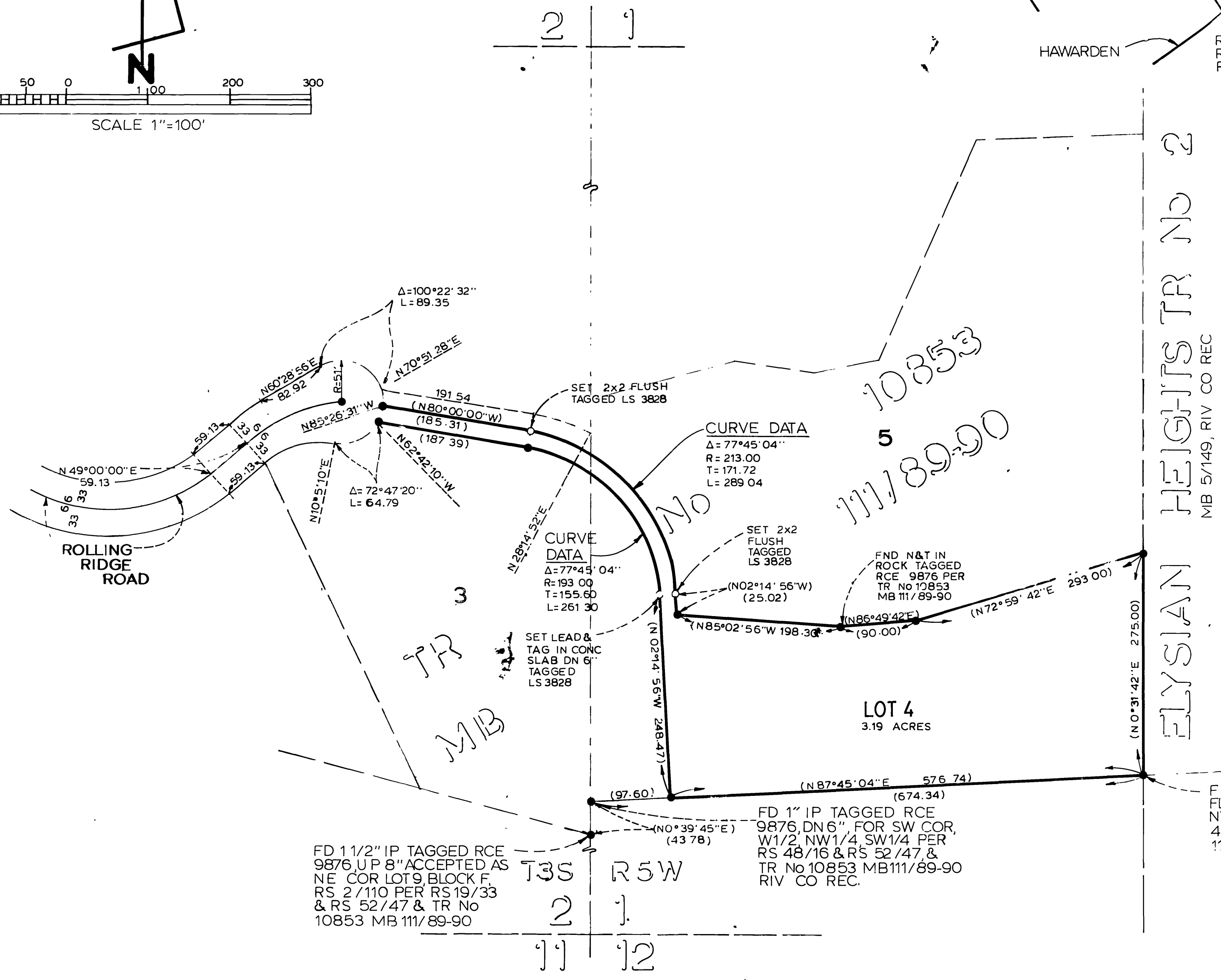
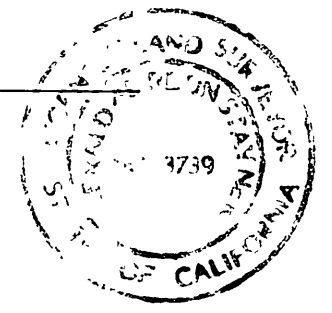
BASIS OF BEARINGS IS TAKEN FROM THE SOUTH  
LINE OF LOT 4, AS SHOWN PER TRACT No 10853,  
MB 111/89-90 BEING N87°45'04"E.

- INDICATES FOUND 1" IP, TAGGED RCE 9876, FLUSH,  
PER TRACT No 10853 MB 111/89-90 UNLESS  
OTHERWISE NOTED.
- INDICATES 1" IP SET FLUSH TAGGED LS 3828  
UNLESS OTHERWISE NOTED
- ( ) INDICATES MEASURED AND RECORD DATA PER  
TRACT No 10853, MB 111 / 89-90

**COUNTY SURVEYOR'S STATEMENT**

THIS MAP HAS BEEN EXAMINED IN ACCORDANCE WITH  
SECTION 8766 OF THE LAND SURVEYORS' ACT THIS  
23RD DAY OF DEC, 1985.  
LeRoy D. Smoot COUNTY SURVEYOR

BY Sheila A. Altman  
DEPUTY  
LS No. 3739



RS 75/3

RS 75/3

RS 75/3