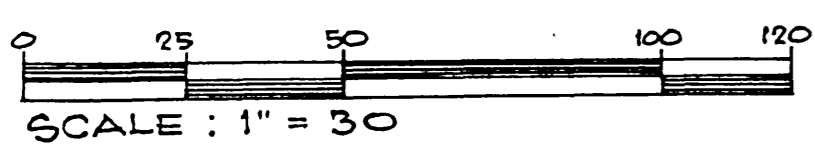


City Copy

78
R/S 78/6



IN THE CITY OF RIVERSIDE, COUNTY OF RIVERSIDE
STATE OF CALIFORNIA

RECORD OF SURVEY

OF A PORTION OF LOT 194 OF THE LANDS OF THE
SOUTHERN CALIFORNIA COLONY ASSOCIATION,
AS RECORDED IN MAP BOOK 1, PAGE 18, RECORDS
OF SAN BERNARDINO COUNTY, CALIFORNIA.

SHEET 1 OF 1 SHEET

RECORDER'S STATEMENT

FILED THIS 15th DAY OF APRIL, 1987,
AT 2:00 P.M. IN BOOK 78 OF RECORDS OF SURVEY,
AT PAGE 6; AT THE REQUEST OF THE COUNTY
SURVEYOR.

NO. 89854
FEE \$100
WILLIAM E. CONERLY, COUNTY RECORDER
BY Sarita Rogan, DEPUTY

SURVEYOR'S STATEMENT

THIS MAP CORRECTLY REPRESENTS A SURVEY MADE BY
ME OR UNDER MY DIRECTION IN CONFORMANCE WITH
THE REQUIREMENTS OF THE LAND SURVEYORS' ACT,
AT THE REQUEST OF EARL E. CLAYTON
IN AUGUST & DECEMBER, 1986.



Bradley H. Worrel
BRADLEY H. WORREL, R.C.E. 33844

SURVEYOR'S NOTES

1. BASIS OF BEARINGS IS TAKEN AS THE SOUTHWEST BOUNDARY LINE OF TRACT 17488, RECORDED IN M.B. 123/91-93, BEING S 61° 00' 00" E
2. ▲ INDICATES 3/4" IRON PIPE WITH CITY OF RIVERSIDE TAG, DN. 2", AS SHOWN ON M.B. 123/91-93
3. ● INDICATES MONUMENT FOUND AS NOTED.
4. ○ INDICATES SET 1" IRON PIPE TAGGED R.C.E. 33844 FLUSH.
5. (.....) INDICATES RECORD DATA AS NOTED.
6. △ INDICATES SET CONCRETE NAIL & R.C.E. 33844 TAG IN SIDEWALK.

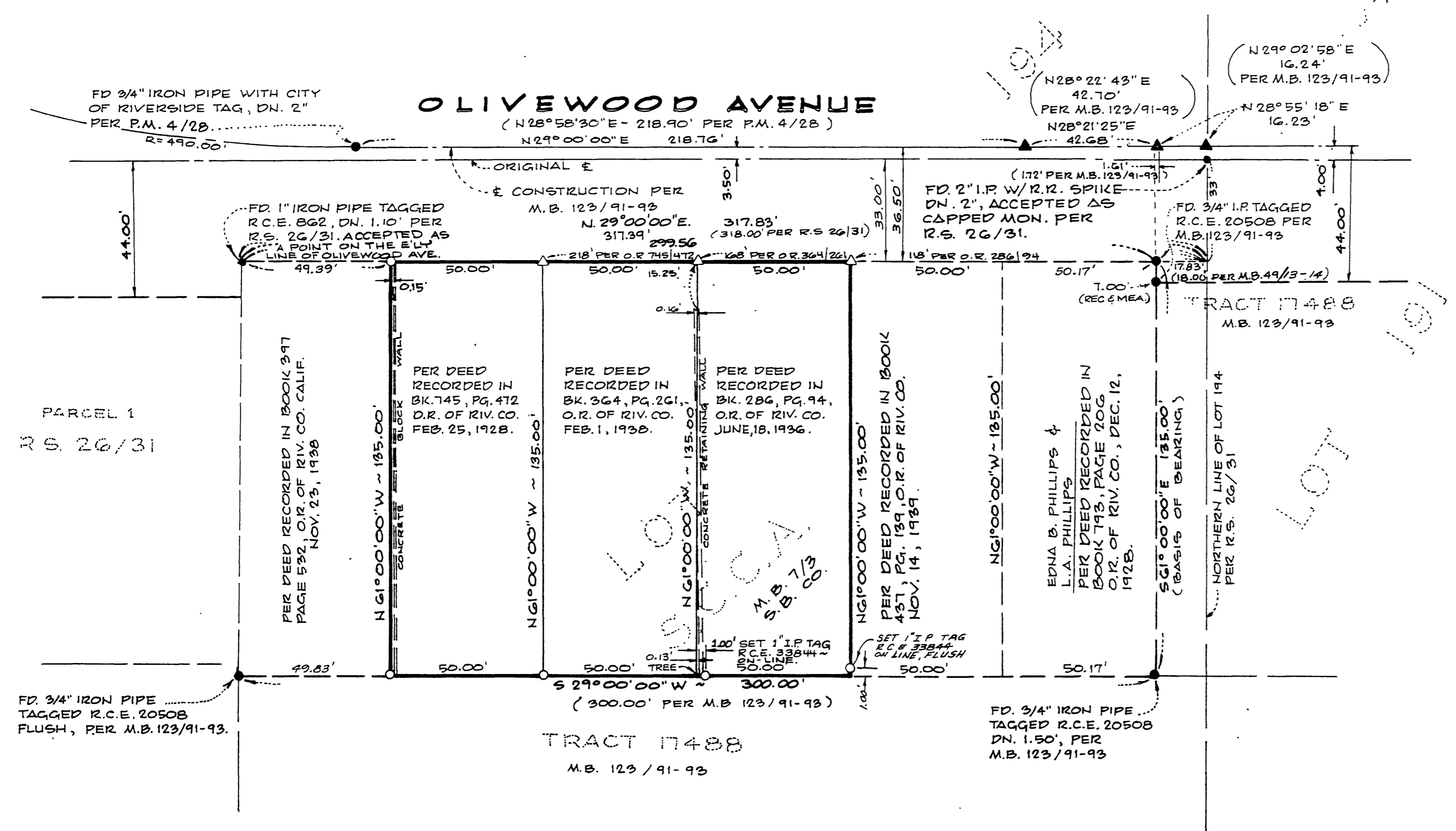
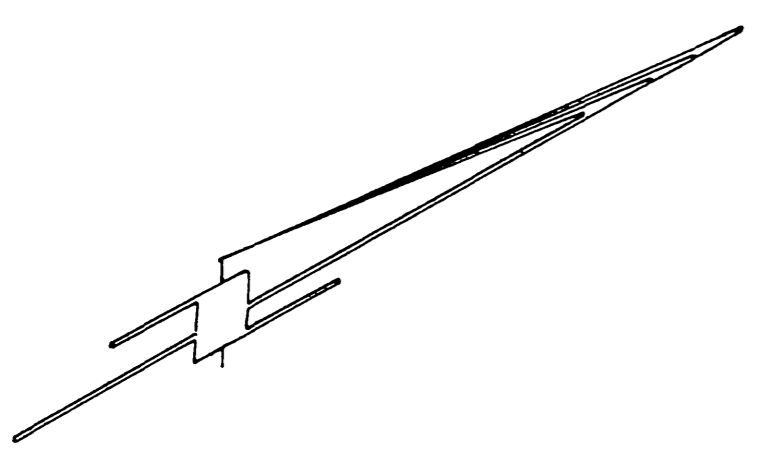
COUNTY SURVEYOR'S STATEMENT

THIS MAP HAS BEEN EXAMINED IN ACCORDANCE
WITH SECTION 8766 OF THE LAND SURVEYORS'
ACT THIS 1ST DAY OF APRIL, 1987.

LeRoy D. Smoot, COUNTY SURVEYOR
BY Harold A. Stagner, DEPUTY
L.S. NO. 3739 EXP 6-30-88



ARCHER ENGINEERING, AUGUST, 1986



R/S 78/6