

87/76

IN THE CITY OF RIVERSIDE, COUNTY OF RIVERSIDE, CALIFORNIA

RECORD OF SURVEY

OF A PORTION OF LOT 4 IN BLOCK 50 OF ARLINGTON HEIGHTS, AS SHOWN BY MAP ON FILE IN BOOK 11, PAGES 20 & 21 OF MAPS, RECORDS OF SAN BERNARDINO COUNTY, CALIFORNIA, LYING IN SECTION 9, T.3S., R.5W

JUNE, 1990

ACTION SURVEYS

RECORDER'S STATEMENT

Filed this 30th day of January, 1991, at 1:30 p.m. in Book 87 of Records of Survey at page 76, at the request of the County Surveyor. **William E. Conerly** County Recorder
Fee \$6.00
No. 34390
By Sarita Logan Deputy

SURVEYOR'S STATEMENT

This map correctly represents a survey made by me or under my direction in conformance with the requirements of the Land Surveyors' Act at the request of Martinez & Turek Inc. in June, 1990.

Gabriel D. Ybarra 1-10-91
Gabriel D. Ybarra L.S. 4343
exp. 6-30-92

SURVEYOR'S NOTES

Basis of Bearings is taken from the centerline of st. Lawrence street Per R.S. 75 / 31. Being N 34° 01' 11" W.
All I.P. dimensions shown are inside diameter.
() Denotes record data per R.S. 75 / 31
● Denotes found monuments as noted.
○ Denotes set 1" I.P. tagged L.S. 4343, flush, unless otherwise noted.

COUNTY SURVEYOR'S STATEMENT

This map has been examined in accordance with Section 8766 of the Land Surveyors' Act this 24th day of JAN, 1991.
Gerald A. Stayner, County Surveyor

Gerald A. Stayner
L.S. No. 3739 EXP. DATE 6/30/92



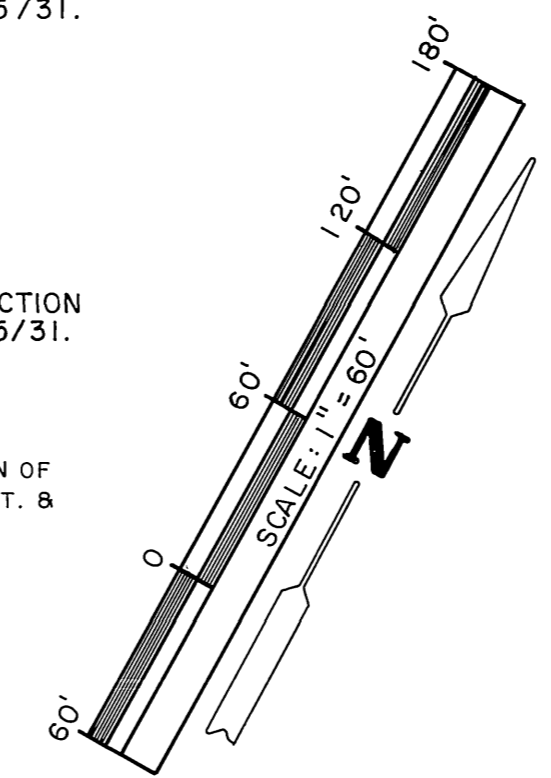
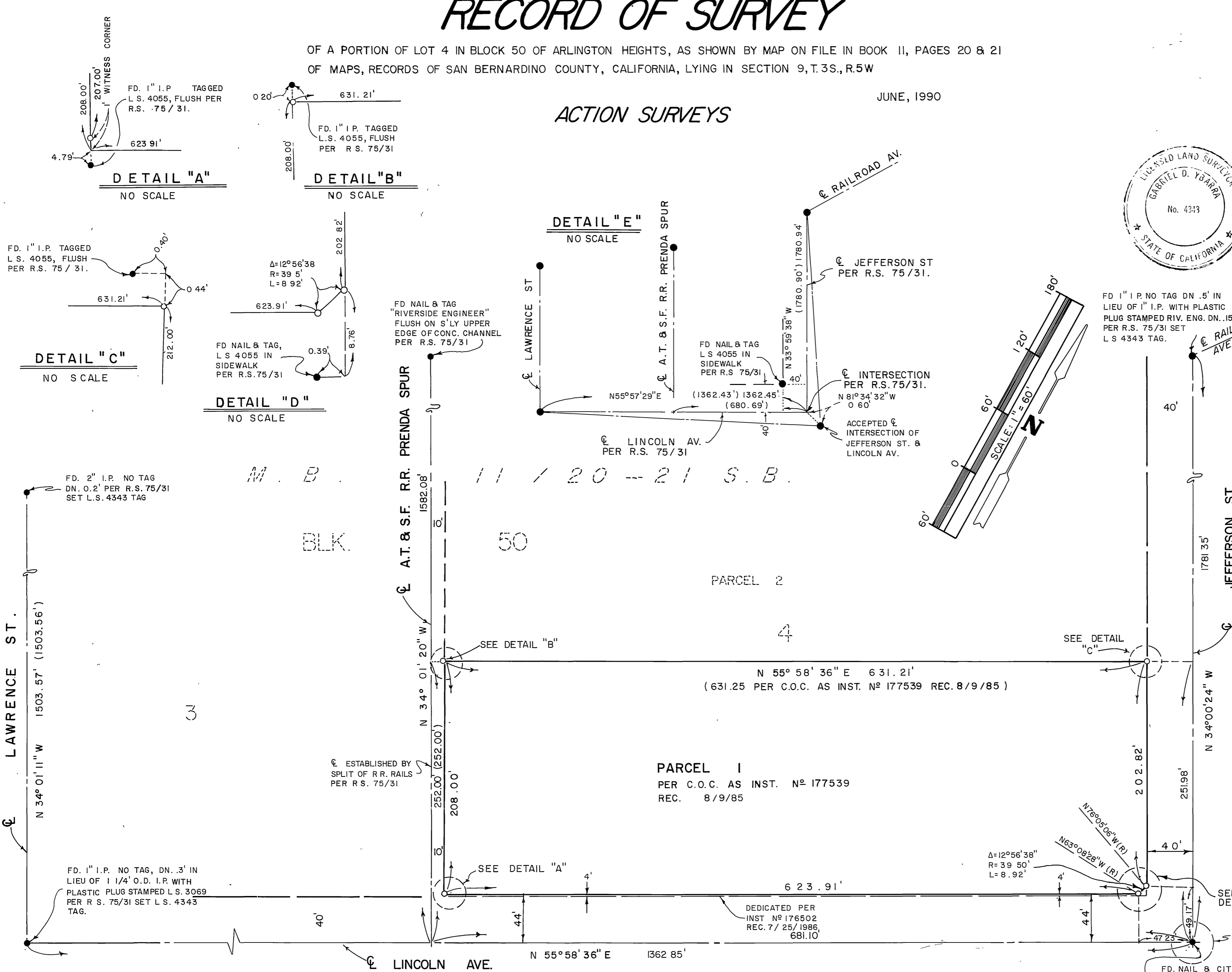
CITY ENGINEER'S CERTIFICATE OF COMPLIANCE

THIS MAP HAS BEEN EXAMINED THIS 11th DAY OF Jan., 1991 FOR COMPLIANCE WITH THE PROVISIONS OF THE SUBDIVISION MAP ACT AND ANY APPLICABLE LOCAL ORDINANCE ENACTED PURSUANT THERETO.

BARRY BECK CITY ENGINEER
R.C.E. 20900 EXPIRES: 0-30-93



FD. NAIL & CITY OF RIV. ENG. TAG, FLUSH OVER 2" I.P. DOWN 1 1/4" W/NAIL. PER CRFB 1038/8 THIS MONUMENT DOES NOT OCCUPY THE SAME LOCATION AS THE INT. PER R.S. 75/31. RIV.CO. 90-120 W.O. No. 89-72



R/S 87/76

R/S 87/76