

CITY 123/51

R/S 123 / 51

IN THE CITY OF RIVERSIDE, COUNTY OF RIVERSIDE, CALIFORNIA

SHEET 1 OF 1 SHEET

# RECORD OF SURVEY

BEING A PORTION OF THE NORTHWEST 1/4 OF THE SOUTHEAST 1/4 OF THE SOUTHEAST 1/4 OF SECTION 14 T. 3S, R 5W, S.B.M.

JOHN R. AMSLER

JUNE 2006

### RECORDER'S STATEMENT:

FILED THIS 28<sup>th</sup> DAY OF September 2006. AT 8:00 P.M. IN BOOK 123 OF RECORDS OF SURVEY, AT PAGE 51 AT THE REQUEST OF THE COUNTY SURVEYOR.

NO. 2006-0719391  
FEE. \$7.00

LARRY W. WARD, COUNTY ASSESSOR, CLERK AND RECORDER  
BY: Sheila Zavala DEPUTY

### SURVEYOR'S NOTES

- THE BASIS OF BEARINGS FOR THIS SURVEY IS IS THE NORTH LINE OF THE S.W. 1/4 OF THE S.E. 1/4 OF THE S.E. 1/4 OF SECTION 14 BEING N 89°54'23"E AS SHOWN BY R.S. 120/13
- INDICATES SET 1" IP TAGGED L.S. 5646 FLUSH UNLESS OTHERWISE NOTED
- △ INDICATES SET TAG IN EPOXY ON ROCK L.S. 5646
- INDICATES FOUND MONUMENT AS NOTED
- ( ) INDICATES RECORD DATA PER R.S. 120/13
- (( )) INDICATES RECORD DATA PER P.M.B. 99/48-49
- < > INDICATES RECORD DATA PER R.S. 86/59
- [ ] INDICATES RECORD DATA PER R.S. 53/49

### COUNTY SURVEYOR'S STATEMENT

THIS MAP HAS BEEN EXAMINED, IN ACCORDANCE WITH SECTION 8766 OF THE LAND SURVEYORS' ACT THIS 27<sup>th</sup> DAY OF September 2006.

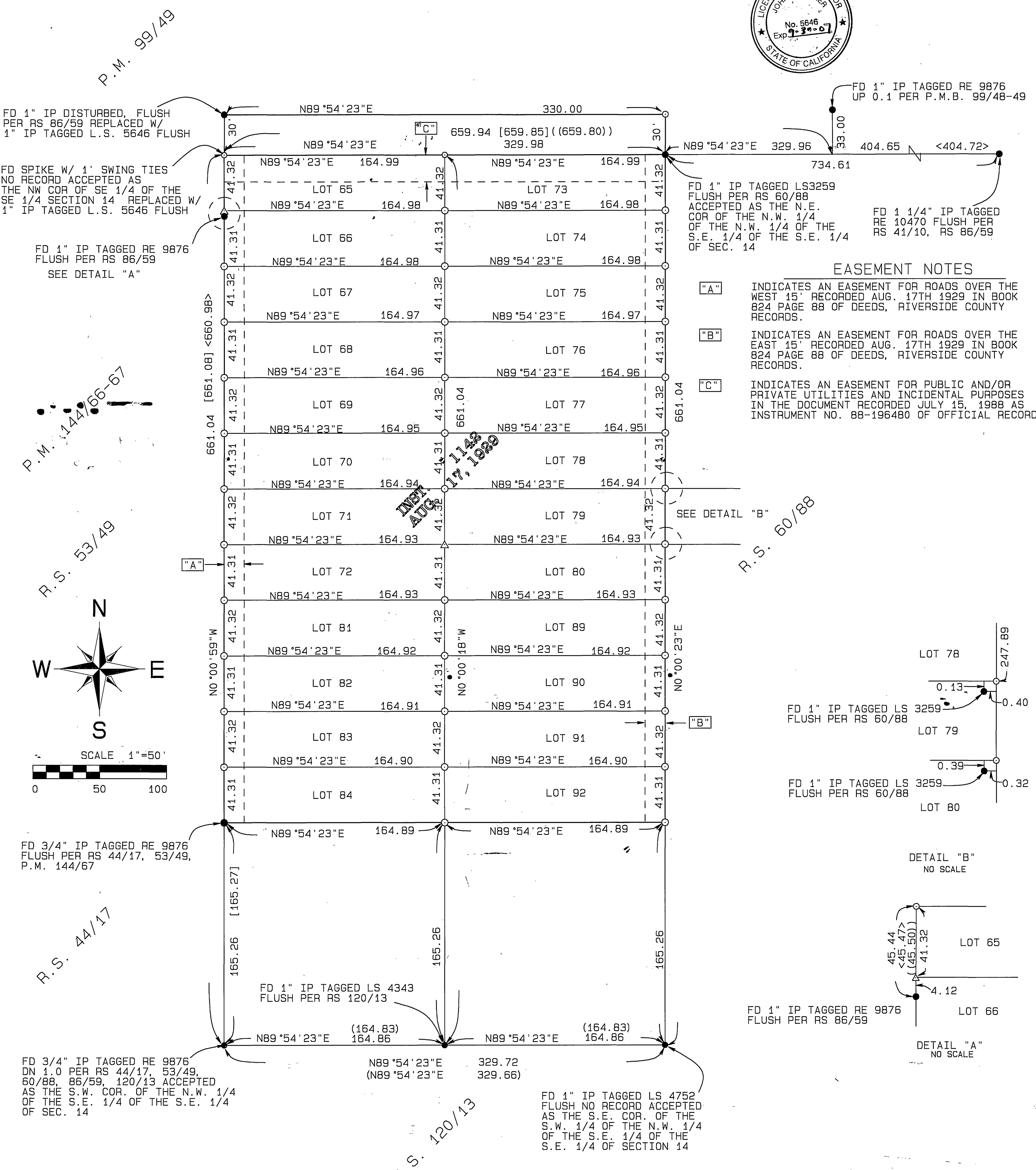
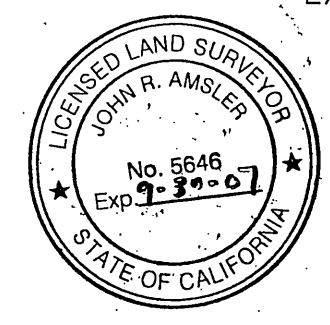
By: Brian H. Hess  
BRIAN H. HESS, COUNTY SURVEYOR  
L.S. 4993, EXP. 12-31-2007



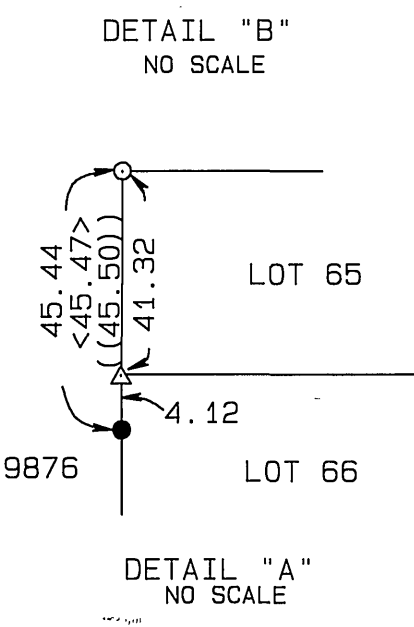
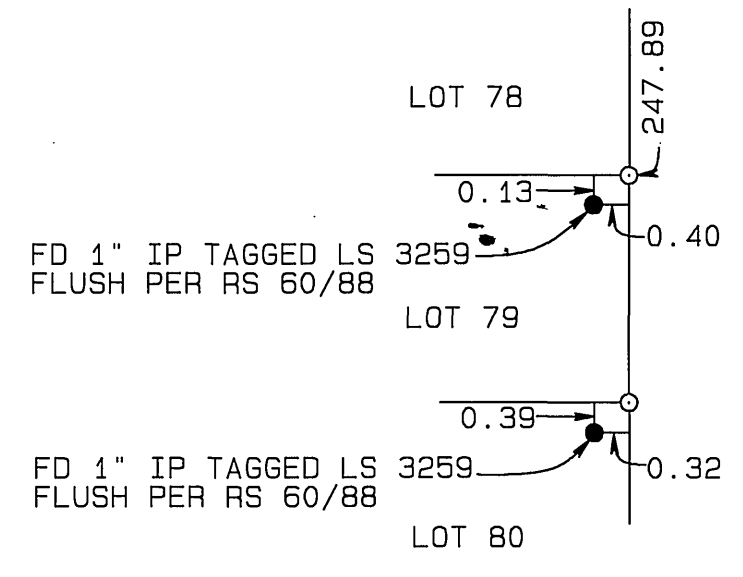
### SURVEYOR'S STATEMENT

THIS MAP CORRECTLY REPRESENTS A SURVEY MADE BY ME OR UNDER MY DIRECTION IN CONFORMANCE WITH THE REQUIREMENTS OF THE PROFESSIONAL LAND SURVEYORS' ACT, AT THE REQUEST OF GEORGE NAJM IN JUNE 2006.

John R. Amster  
JOHN R. AMSLER L.S. 5646  
EXP. DATE 9/30/2007



- ### EASEMENT NOTES
- "A" INDICATES AN EASEMENT FOR ROADS OVER THE WEST 15' RECORDED AUG. 17TH 1929 IN BOOK 824 PAGE 88 OF DEEDS, RIVERSIDE COUNTY RECORDS.
  - "B" INDICATES AN EASEMENT FOR ROADS OVER THE EAST 15' RECORDED AUG. 17TH 1929 IN BOOK 824 PAGE 88 OF DEEDS, RIVERSIDE COUNTY RECORDS.
  - "C" INDICATES AN EASEMENT FOR PUBLIC AND/OR PRIVATE UTILITIES AND INCIDENTAL PURPOSES IN THE DOCUMENT RECORDED JULY 15, 1988 AS INSTRUMENT NO. 88-196480 OF OFFICIAL RECORDS.



FD 3/4" IP TAGGED RE 9876 FLUSH PER RS 44/17, 53/49, P.M. 144/67

FD 3/4" IP TAGGED RE 9876 DN 1.0 PER RS 44/17, 53/49, 60/88, 86/59, 120/13 ACCEPTED AS THE S.W. COR. OF THE N.W. 1/4 OF THE S.E. 1/4 OF THE S.E. 1/4 OF SEC. 14

FD 1" IP TAGGED LS 4752 FLUSH NO RECORD ACCEPTED AS THE S.E. COR. OF THE S.W. 1/4 OF THE N.W. 1/4 OF THE S.E. 1/4 OF SECTION 14

R/S 123 / 51