

136/22

# RECORD OF SURVEY

## SANTA ANA RIVER

PORTIONS OF CRESCENT CITY RAILWAY RIGHT-OF-WAY PER MAP OF ALAMO TRACT, MAP BOOK 9, PAGE 5, WITH PORTIONS OF LOTS 2, 3, J, MISSION BOULEVARD AND BUENA VISTA DRIVE PER MAP OF INDIAN HILL TRACT, MAP BOOK 10, PAGES 2 THROUGH 3, IN THE RUBIDOUX RANCHO AND PORTIONS OF THE PROTRACTED SECTIONS 11, 14 AND 15, TOWNSHIP 2 SOUTH, RANGE 5 WEST. ALL RECORDS WITHIN THE COUNTY OF RIVERSIDE, STATE OF CALIFORNIA.

### RIVERSIDE COUNTY FLOOD CONTROL AND WATER CONSERVATION DISTRICT

AUGUST 2010

#### RECORDER'S STATEMENT

FILED THIS 31<sup>st</sup> DAY OF June, 2011, AT 11:45 A.M. IN BOOK 136 RECORDS OF SURVEY, AT PAGES 22-27, AT THE REQUEST OF THE COUNTY SURVEYOR.

NO. 2011-0245037

FEE \$0

LARRY W. WARD, ASSESSOR-COUNTY CLERK-RECORDER

BY: Yuncai DEPUTY.

#### NOTE:

PARCEL 1010-00 INDICATES RIVERSIDE COUNTY FLOOD CONTROL AND WATER CONSERVATION DISTRICT RIGHT OF WAY PARCEL NUMBERS.

#### SURVEYOR'S NOTES:

- MONUMENT FOUND AS NOTED, SHOWN THUS
- SET 3/4" IRON PIPE WITH R.C.F.C. & W.C.D. BRASS TAG, FLUSH, UNLESS OTHERWISE NOTED, SHOWN THUS
- THE BASIS OF BEARINGS FOR THIS SURVEY IS THE CALIFORNIA STATE PLANE COORDINATE SYSTEM OF ZONE 6, NAD '83, EPOCH 2007.00, BASED LOCALLY ON "EWPP" AND "RTHS," AS SHOWN HEREON. ALL BEARINGS AND DISTANCES SHOWN ARE GRID. QUOTED BEARINGS AND DISTANCES FROM REFERENCE MAPS OR DEEDS ARE AS SHOWN ON THAT RECORD REFERENCE. GROUND DISTANCES MAY BE OBTAINED BY DIVIDING THE GRID DISTANCE BY A COMBINATION FACTOR OF 0.99998806, CALCULATED AT A MEAN LATITUDE OF N34°00'00"E AND A MEAN NAVD '88 ELEVATION OF 800.51'.

#### SURVEYOR'S STATEMENT

THIS MAP CORRECTLY REPRESENTS A SURVEY MADE BY ME OR UNDER MY DIRECTION IN CONFORMANCE WITH THE REQUIREMENTS OF THE PROFESSIONAL LAND SURVEYORS ACT. AT THE REQUEST OF RIVERSIDE COUNTY FLOOD CONTROL AND WATER CONSERVATION DISTRICT IN FEBRUARY OF 2008 THROUGH JUNE OF 2010.

Warren D. Williams  
WARREN D. WILLIAMS, CHIEF ENGINEER, R.C.E. 32336  
EXP. DATE DECEMBER 31, 2012

#### COUNTY SURVEYOR'S NOTE

THE COUNTY SURVEYOR HAS NOT ESTABLISHED AS OF THE DATE OF RECORDING OF THIS RECORD OF SURVEY THAT THE LAND SHOWN IN THIS RECORD OF SURVEY IS IN COMPLIANCE WITH THE PROVISIONS OF THE SUBDIVISION MAP ACT, DIVISION 2 (COMMENCING WITH SECTION 66410) OF TITLE 7 OF THE GOVERNMENT CODE AND RIVERSIDE COUNTY ORDINANCE NO. 460. THE PARCEL(S) SHOWN ON THIS SURVEY MAY NOT HAVE BEEN LEGALLY CREATED AND THEREFORE MAY NOT BE A BUILDABLE PARCEL(S).

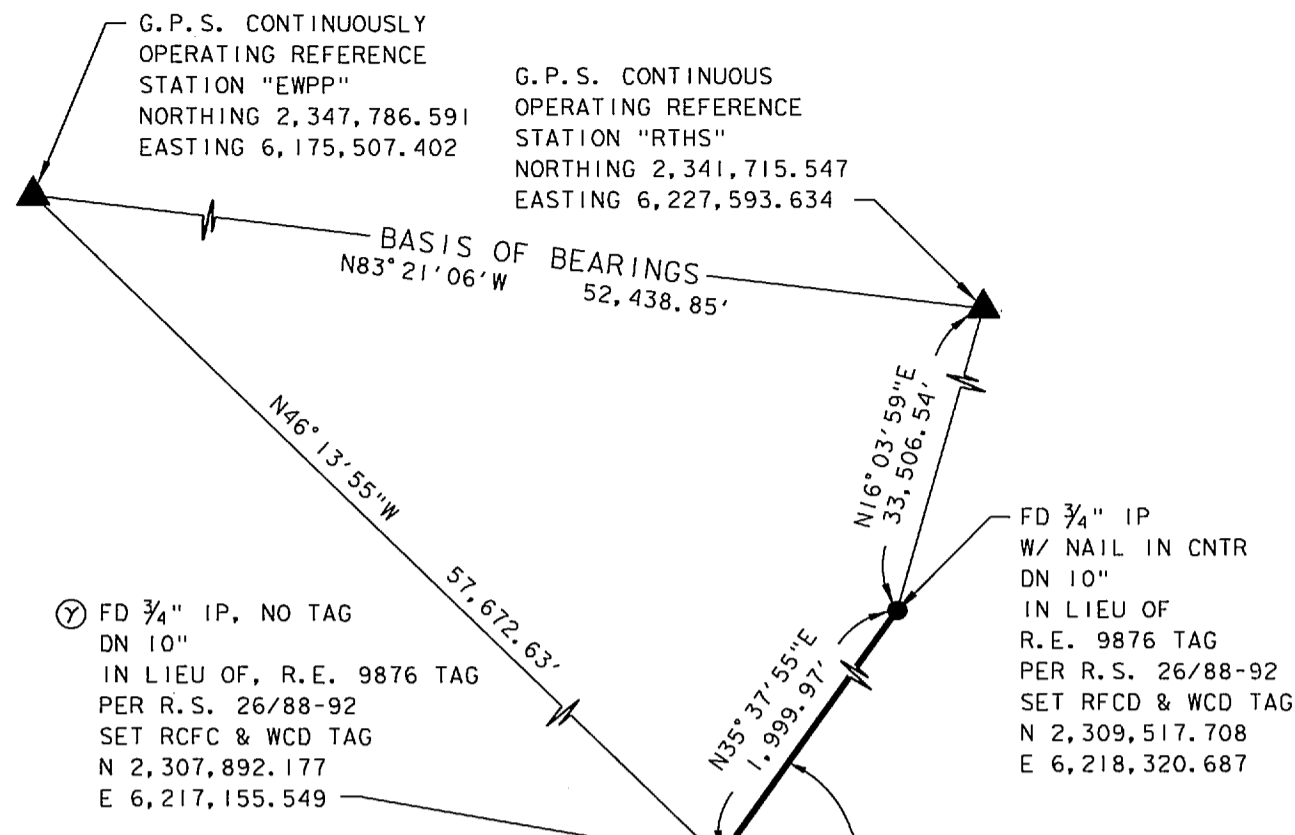
BY: Robert S. Robinson, Deputy  
KENNETH D. TEICH, COUNTY SURVEYOR  
P.L.S. 5705  
EXP. DATE SEPTEMBER 30, 2011



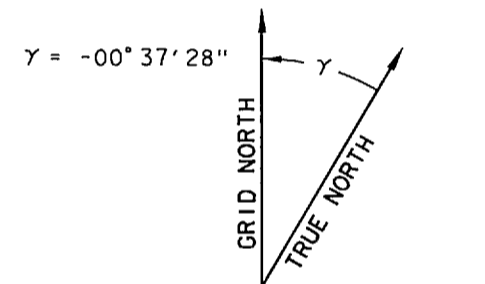
#### COUNTY SURVEYOR'S STATEMENT

THIS MAP HAS BEEN EXAMINED IN ACCORDANCE WITH SECTION 8766 OF THE PROFESSIONAL LAND SURVEYORS ACT THIS 26<sup>th</sup> DAY OF MAY, 2011.

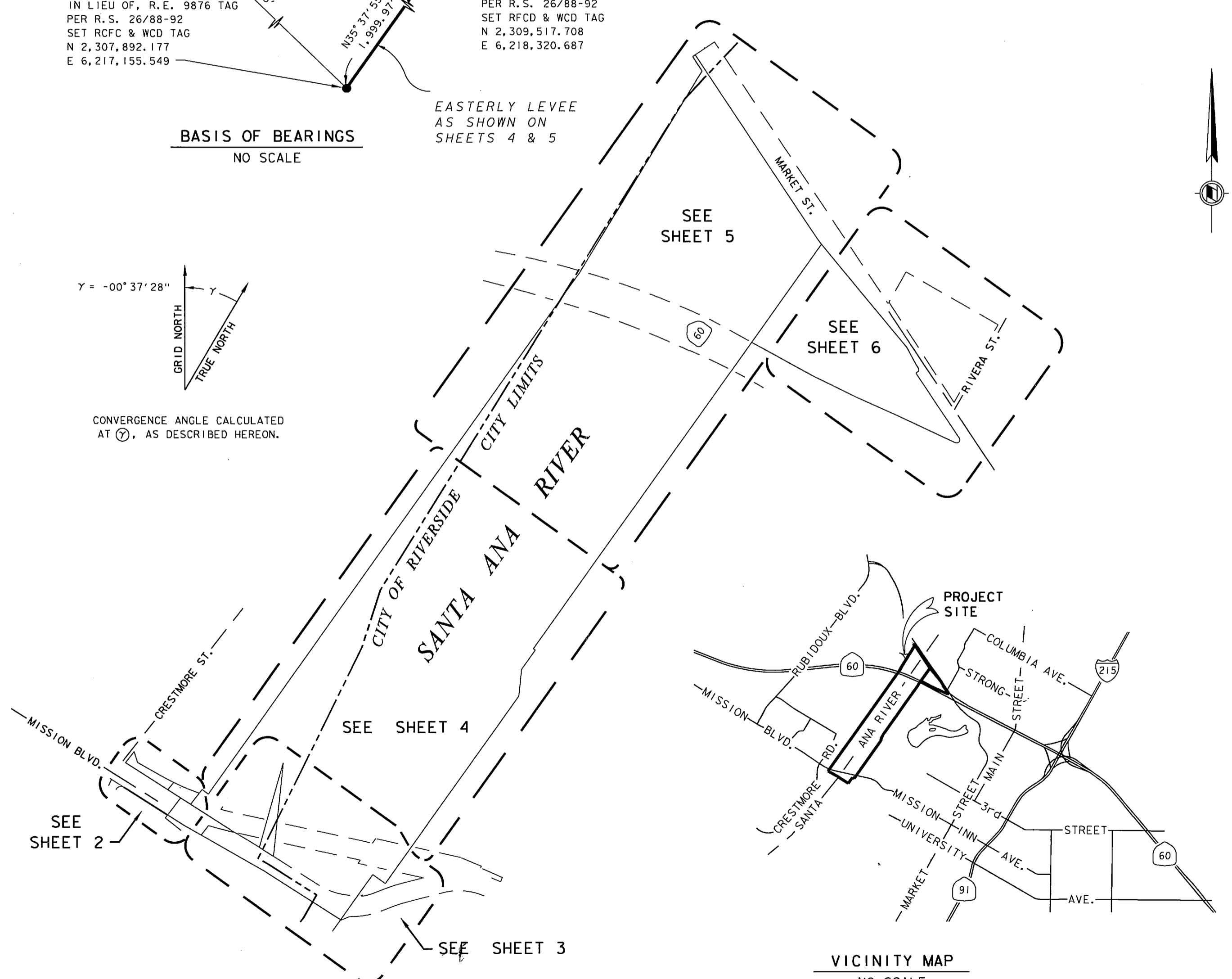
BY: Robert S. Robinson, Deputy  
KENNETH D. TEICH, COUNTY SURVEYOR  
P.L.S. 5705  
EXP. DATE SEPTEMBER 30, 2011



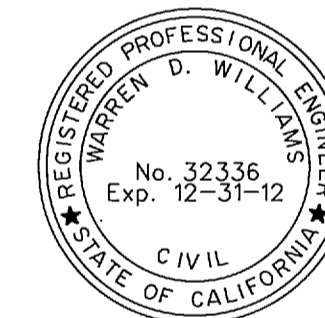
BASIS OF BEARINGS  
NO SCALE



CONVERGENCE ANGLE CALCULATED AT  $\odot$ , AS DESCRIBED HEREON.



VICINITY MAP  
NO SCALE



R/S 136 / 22

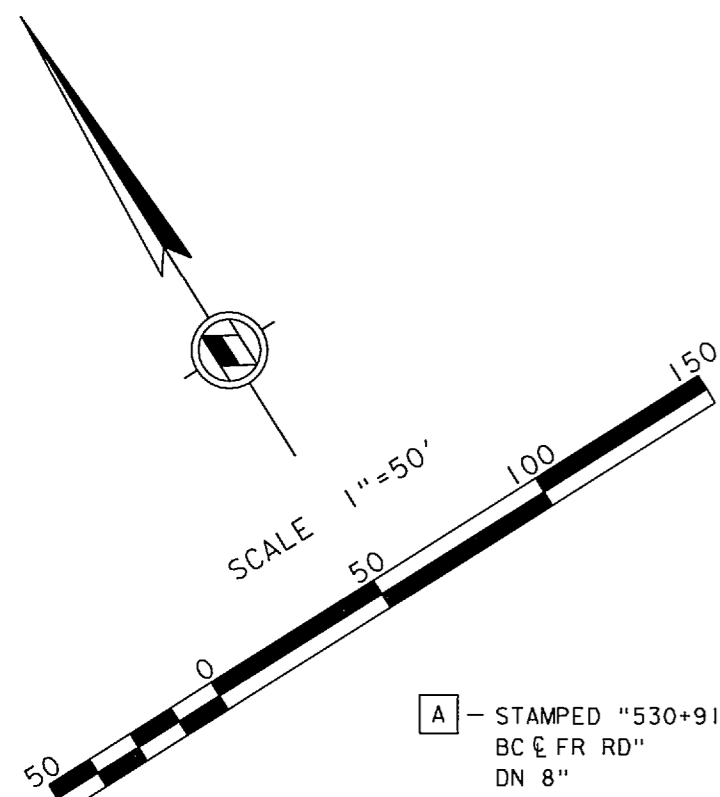
# RECORD OF SURVEY

## SANTA ANA RIVER

PORTIONS OF CRESCENT CITY RAILWAY RIGHT-OF-WAY PER MAP OF ALAMO TRACT, MAP BOOK 9, PAGE 5, WITH PORTIONS OF LOTS 2, 3, J, MISSION BOULEVARD AND BUENA VISTA DRIVE PER MAP OF INDIAN HILL TRACT, MAP BOOK 10, PAGES 2 THROUGH 3, IN THE RUBIDOUX RANCHO AND PORTIONS OF THE PROTRACTED SECTIONS 11, 14 AND 15, TOWNSHIP 2 SOUTH, RANGE 5 WEST. ALL RECORDS WITHIN THE COUNTY OF RIVERSIDE, STATE OF CALIFORNIA.

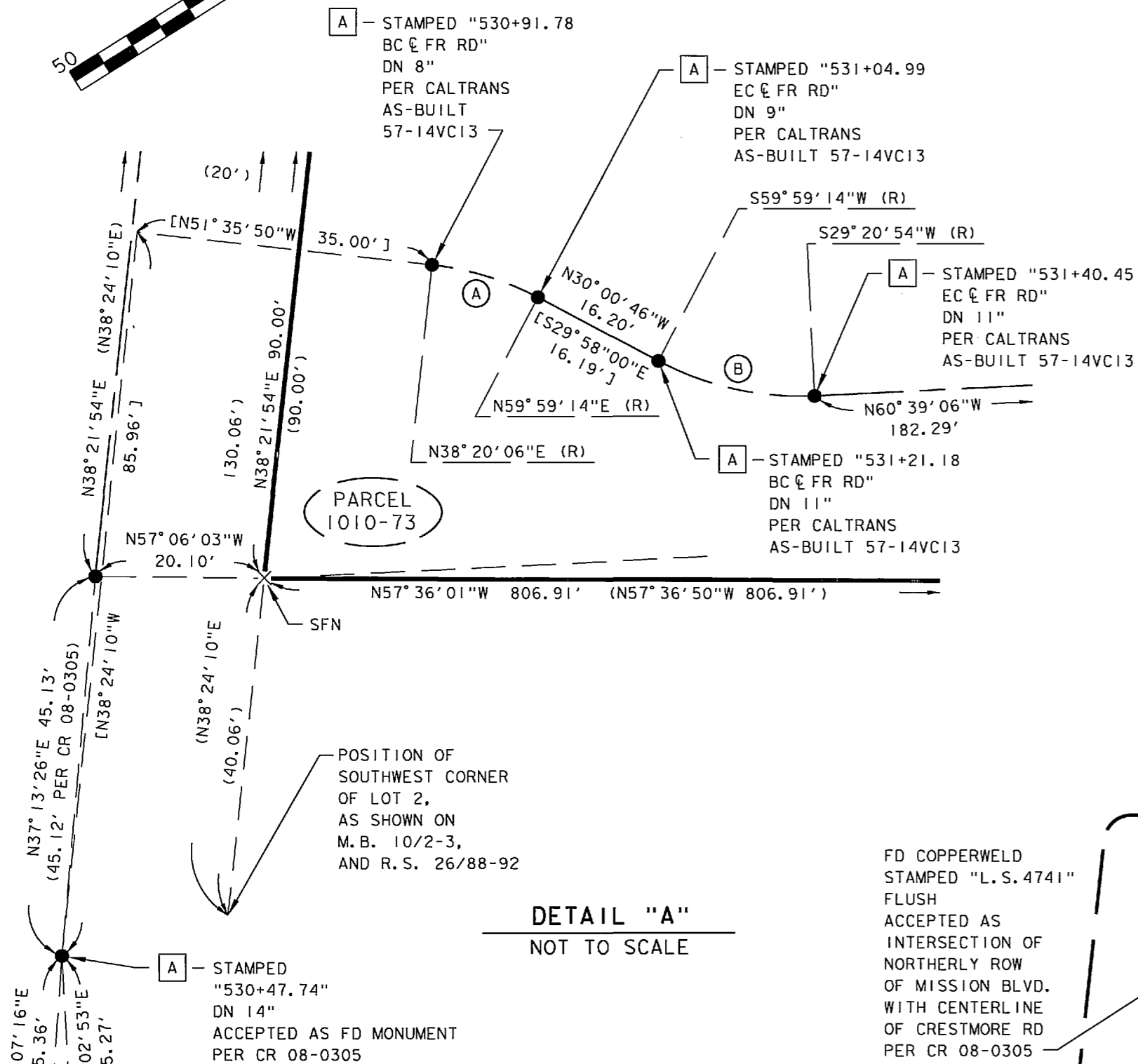
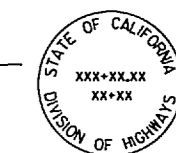
RIVERSIDE COUNTY FLOOD CONTROL AND WATER CONSERVATION DISTRICT

AUGUST 2010

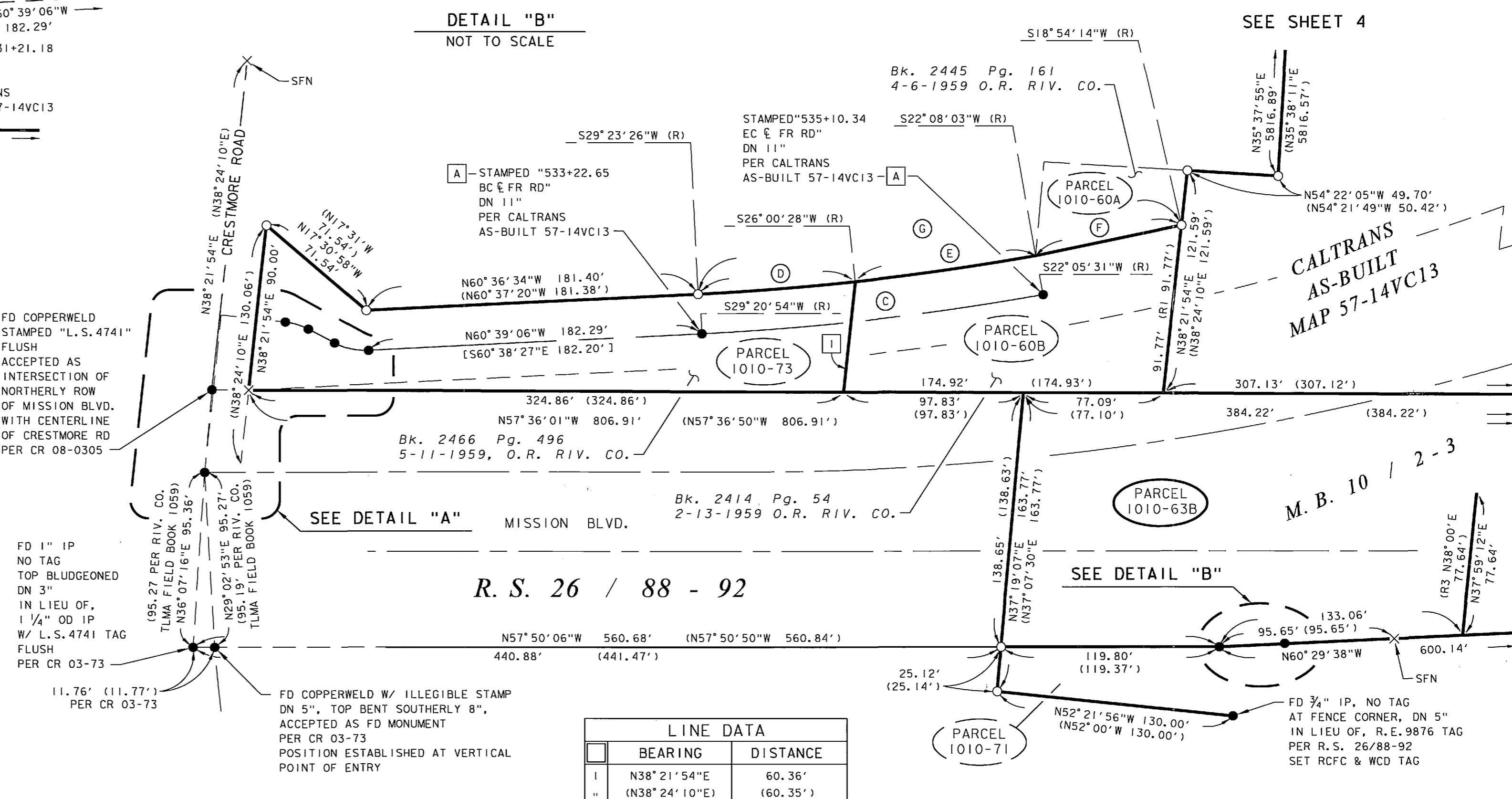


**SURVEYOR'S NOTES:**

1. FOUND MONUMENT AS NOTED \_\_\_\_\_ ●
2. SET 3/4" IRON PIPE WITH RCFC & WCD BRASS TAG, FLUSH \_\_\_\_\_ ○
3. SEARCH FOUND NOTHING, SET NOTHING \_\_\_\_\_ ×
4. RECORD OR CALCULATED PER RS 26/88-92, UNLESS OTHERWISE NOTED \_\_\_\_\_ ( )
5. RECORD PER CALTRANS AS-BUILT PLANS 57-14VC13 \_\_\_\_\_ [ ]
6. RECORD PER CALTRANS ROW MAP 63302/1-3 \_\_\_\_\_ < >
7. RECORD OR CALCULATED PER MB 364/76-82 \_\_\_\_\_ (( ))
8. Bk. 2445, Pg. 161, 4-6-1959, OFFICIAL RECORDS OF RIV. CO. \_\_\_\_\_ (R1)
9. Bk. 2743, Pg. 507, 8-4-1960, OFFICIAL RECORDS OF RIV. CO. \_\_\_\_\_ (R2)
10. INSTRUMENT. No. 131056, 11-18-1965, OFFICIAL RECORDS OF RIV. CO. \_\_\_\_\_ (R3)
11. INSTRUMENT No. 2007-0633485, 10-12-2007, OFFICIAL RECORDS, RIV. CO. \_\_\_\_\_ (R4)
12. FOUND 2 1/2" BRASS DISC, IN CAPPED WELL STAMPED WITH STATIONS, AS SHOWN \_\_\_\_\_ [A]
13. ALL MEASURED DISTANCES SHOWN ARE GRID; TO OBTAIN GROUND DISTANCE DIVIDE GRID DISTANCE BY A COMBINATION FACTOR OF 0.99998806.



CURVE DATA				
(A)	Δ =	R =	T =	L =
A	21° 39' 08"	35.00'	6.69'	13.23'
"	[21° 37' 50"]	[35']	[6.69']	[13.21']
B	30° 38' 20"	36.00'	9.86'	19.25'
"	[30° 40' 27"]	[36']	[9.87']	[19.27']
C	7° 15' 23"	1481.98'	93.97'	187.69'
"	[7° 15' 23"]	[1482']	[93.97']	[187.69']
D	3° 22' 58"	1460.00'	43.11'	86.20'
"	(3° 22' 58")	(1460')	(43.11')	(86.20')
E	3° 52' 25"	1460.00'	49.37'	98.71'
"	(3° 52' 26")	(1460')	(49.38')	(98.71')
F	3° 13' 49"	1460.00'	41.17'	82.31'
"	(R1) 3° 13' 53"	(R1) 1460.00'	—	(R1) 82.35'
G	10° 29' 12"	1460.00'	133.98'	267.22'



LINE DATA		
	BEARING	DISTANCE
I	N38° 21' 54" E	60.36'
"	(N38° 24' 10" E)	(60.35')

R/S 136 / 23

SEE SHEET 3

R/S 136 / 23

COPY 136/24

# RECORD OF SURVEY

## SANTA ANA RIVER

PORTIONS OF CRESCENT CITY RAILWAY RIGHT-OF-WAY PER MAP OF ALAMO TRACT, MAP BOOK 9, PAGE 5, WITH PORTIONS OF LOTS 2, 3, J, MISSION BOULEVARD AND BUENA VISTA DRIVE PER MAP OF INDIAN HILL TRACT, MAP BOOK 10, PAGES 2 THROUGH 3, IN THE RUBIDOUX RANCHO AND PORTIONS OF THE PROTRACTED SECTIONS 11, 14 AND 15, TOWNSHIP 2 SOUTH, RANGE 5 WEST. ALL RECORDS WITHIN THE COUNTY OF RIVERSIDE, STATE OF CALIFORNIA.

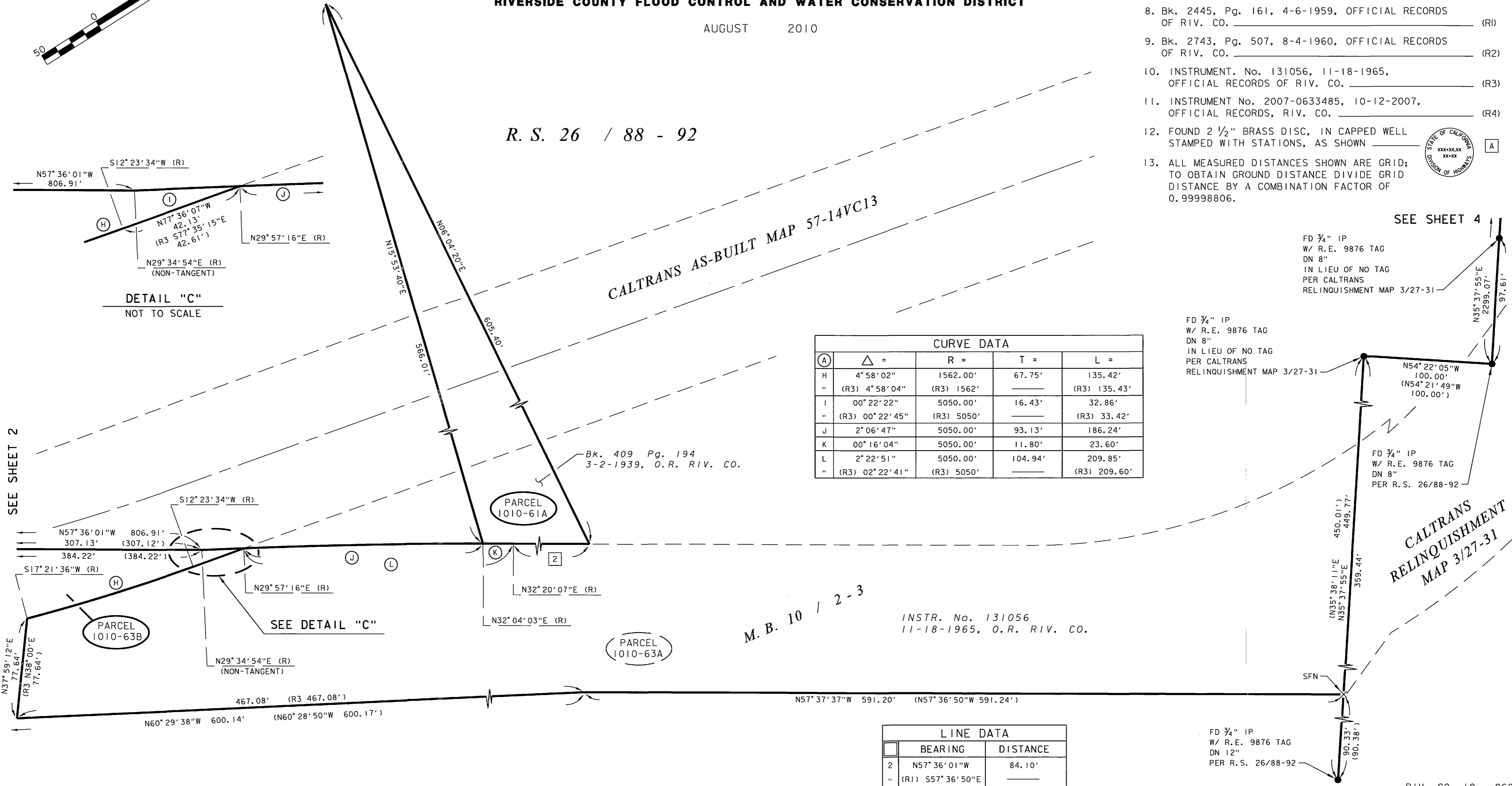
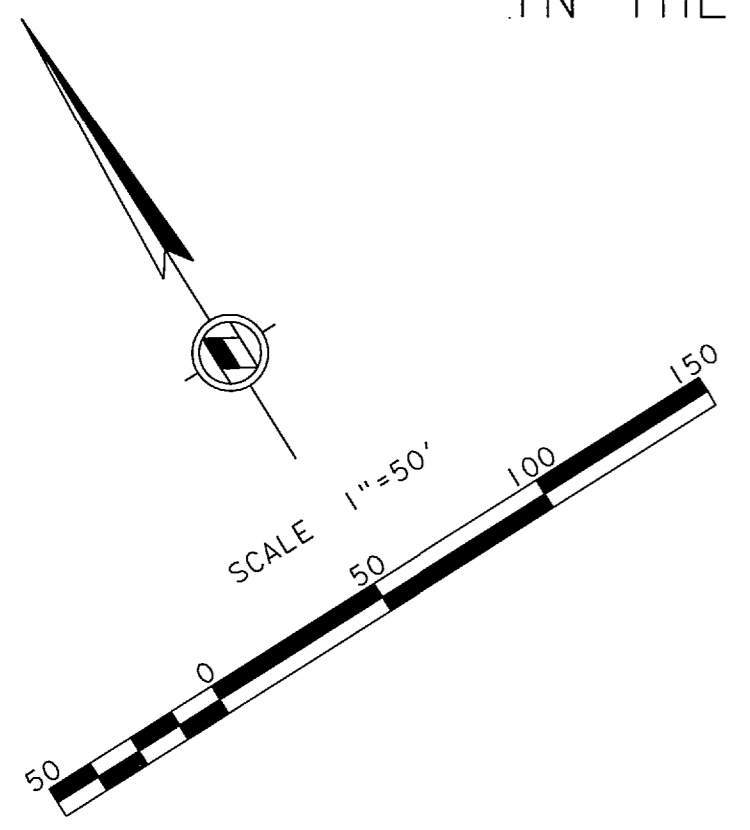
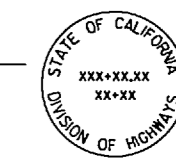
RIVERSIDE COUNTY FLOOD CONTROL AND WATER CONSERVATION DISTRICT

AUGUST 2010

R. S. 26 / 88 - 92

**SURVEYOR'S NOTES:**

1. FOUND MONUMENT AS NOTED \_\_\_\_\_ ●
2. SET 3/4" IRON PIPE WITH RCFC & WCD BRASS TAG, FLUSH \_\_\_\_\_ ○
3. SEARCH FOUND NOTHING, SET NOTHING \_\_\_\_\_ ×
4. RECORD OR CALCULATED PER RS 26/88-92, UNLESS OTHERWISE NOTED \_\_\_\_\_ ( )
5. RECORD PER CALTRANS AS-BUILT PLANS 57-14VC13 \_\_\_\_\_ [ ]
6. RECORD PER CALTRANS ROW MAP 63302/1-3 \_\_\_\_\_ < >
7. RECORD OR CALCULATED PER MB 364/76-82 \_\_\_\_\_ (( ))
8. Bk. 2445, Pg. 161, 4-6-1959, OFFICIAL RECORDS OF RIV. CO. \_\_\_\_\_ (R1)
9. Bk. 2743, Pg. 507, 8-4-1960, OFFICIAL RECORDS OF RIV. CO. \_\_\_\_\_ (R2)
10. INSTRUMENT. No. 131056, 11-18-1965, OFFICIAL RECORDS OF RIV. CO. \_\_\_\_\_ (R3)
11. INSTRUMENT No. 2007-0633485, 10-12-2007, OFFICIAL RECORDS, RIV. CO. \_\_\_\_\_ (R4)
12. FOUND 2 1/2" BRASS DISC, IN CAPPED WELL STAMPED WITH STATIONS, AS SHOWN \_\_\_\_\_ [A]
13. ALL MEASURED DISTANCES SHOWN ARE GRID; TO OBTAIN GROUND DISTANCE DIVIDE GRID DISTANCE BY A COMBINATION FACTOR OF 0.99998806.



CURVE DATA				
Station	Δ =	R =	T =	L =
H	4° 58' 02"	1562.00'	67.75'	135.42'
"	(R3) 4° 58' 04"	(R3) 1562'	—	(R3) 135.43'
I	00° 22' 22"	5050.00'	16.43'	32.86'
"	(R3) 00° 22' 45"	(R3) 5050'	—	(R3) 33.42'
J	2° 06' 47"	5050.00'	93.13'	186.24'
K	00° 16' 04"	5050.00'	11.80'	23.60'
L	2° 22' 51"	5050.00'	104.94'	209.85'
"	(R3) 02° 22' 41"	(R3) 5050'	—	(R3) 209.60'

LINE DATA		
Station	BEARING	DISTANCE
2	N57° 36' 01" W	84.10'
"	(R1) S57° 36' 50" E	—

R/S 136 / 24

R/S 136 / 24

COPY

136 / 25

# RECORD OF SURVEY

## SANTA ANA RIVER

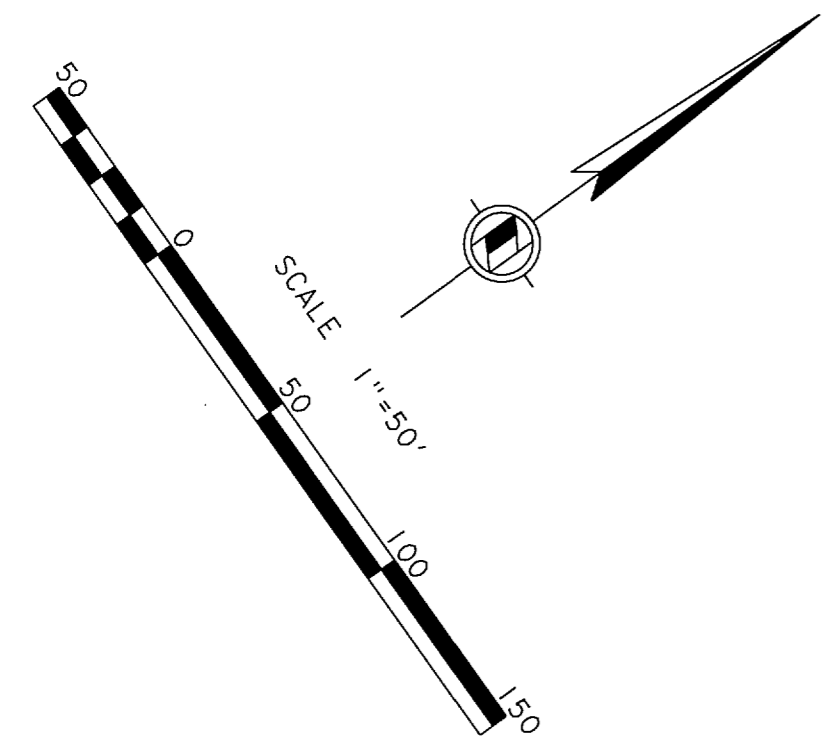
PORTIONS OF CRESCENT CITY RAILWAY RIGHT-OF-WAY PER MAP OF ALAMO TRACT, MAP BOOK 9, PAGE 5, WITH PORTIONS OF LOTS 2, 3, J, MISSION BOULEVARD AND BUENA VISTA DRIVE PER MAP OF INDIAN HILL TRACT, MAP BOOK 10, PAGES 2 THROUGH 3, IN THE RUBIDOUX RANCHO AND PORTIONS OF THE PROTRACTED SECTIONS 11, 14 AND 15, TOWNSHIP 2 SOUTH, RANGE 5 WEST. ALL RECORDS WITHIN THE COUNTY OF RIVERSIDE, STATE OF CALIFORNIA.

RIVERSIDE COUNTY FLOOD CONTROL AND WATER CONSERVATION DISTRICT

AUGUST 2010

**SURVEYOR'S NOTES:**

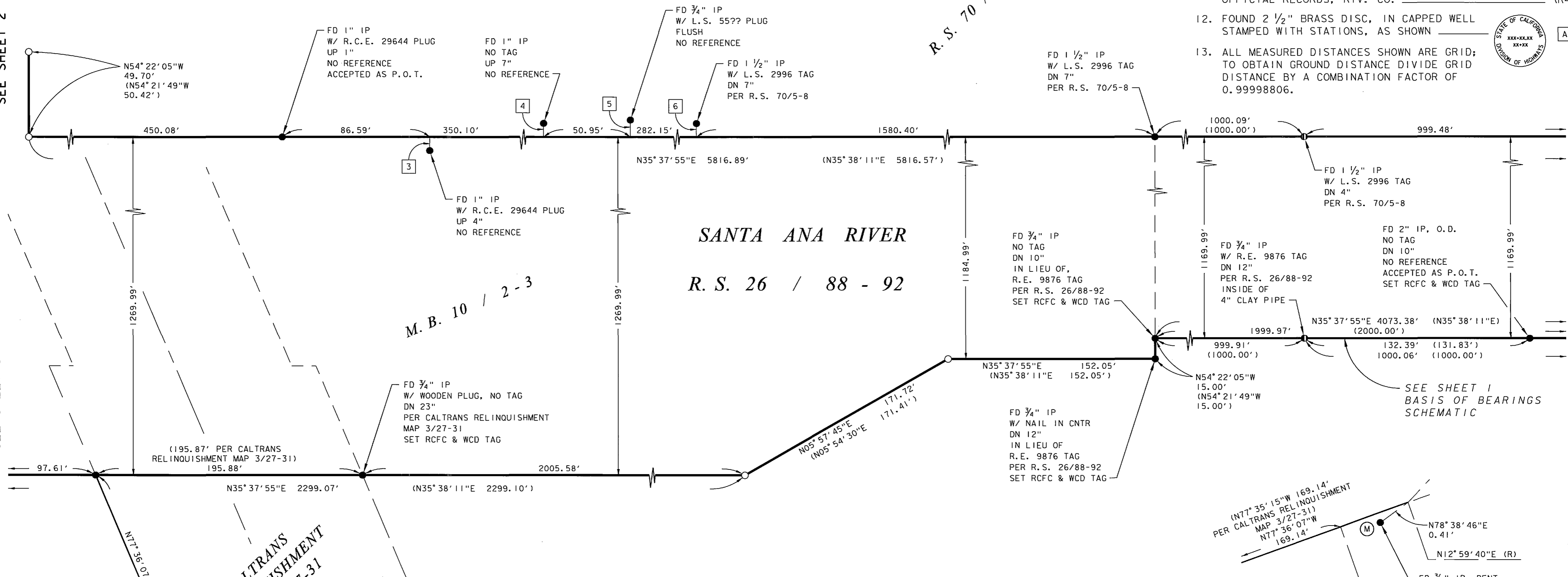
1. FOUND MONUMENT AS NOTED \_\_\_\_\_ ●
2. SET 3/4" IRON PIPE WITH RCFC & WCD BRASS TAG, FLUSH \_\_\_\_\_ ○
3. SEARCH FOUND NOTHING, SET NOTHING \_\_\_\_\_ ×
4. RECORD OR CALCULATED PER RS 26/88-92, UNLESS OTHERWISE NOTED \_\_\_\_\_ ( )
5. RECORD PER CALTRANS AS-BUILT PLANS 57-14VC13 \_\_\_\_\_ [ ]
6. RECORD PER CALTRANS ROW MAP 63302/1-3 \_\_\_\_\_ < >
7. RECORD OR CALCULATED PER MB 364/76-82 \_\_\_\_\_ (( ))
8. Bk. 2445, Pg. 161, 4-6-1959, OFFICIAL RECORDS OF RIV. CO. \_\_\_\_\_ (R1)
9. Bk. 2743, Pg. 507, 8-4-1960, OFFICIAL RECORDS OF RIV. CO. \_\_\_\_\_ (R2)
10. INSTRUMENT No. 131056, 11-18-1965, OFFICIAL RECORDS OF RIV. CO. \_\_\_\_\_ (R3)
11. INSTRUMENT No. 2007-0633485, 10-12-2007, OFFICIAL RECORDS, RIV. CO. \_\_\_\_\_ (R4)
12. FOUND 2 1/2" BRASS DISC, IN CAPPED WELL STAMPED WITH STATIONS, AS SHOWN \_\_\_\_\_ [A]
13. ALL MEASURED DISTANCES SHOWN ARE GRID; TO OBTAIN GROUND DISTANCE DIVIDE GRID DISTANCE BY A COMBINATION FACTOR OF 0.99998806.



SEE SHEET 2

SEE SHEET 3

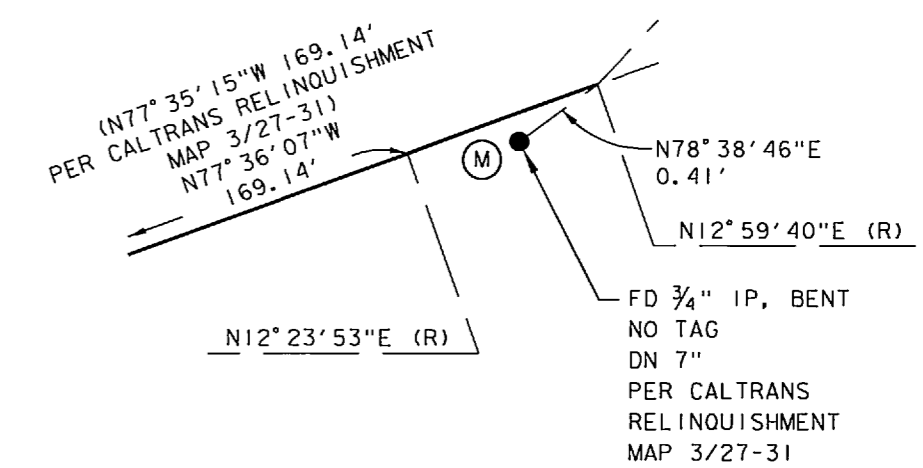
SEE SHEET 5



R/S 136 / 25

LINE DATA		
NO.	BEARING	DISTANCE
3	N54° 22' 05" W	0.21'
4	N54° 22' 05" W	0.23'
5	N54° 22' 05" W	0.56'
6	N54° 22' 05" W	0.24'

CURVE DATA				
NO.	Δ =	R =	T =	L =
M	00° 35' 47"	2414.97'	12.57'	25.14'
"	(00° 35' 47")	(2415')	—	(25.14')
		CALTRANS RELINQUISHMENT MAP 3/27-31)		CALTRANS RELINQUISHMENT MAP 3/27-31)



DETAIL "D"  
NOT TO SCALE

CALTRANS RELINQUISHMENT MAP 3/27-31

SEE DETAIL "D"

COPY

136 / 26

# RECORD OF SURVEY

## SANTA ANA RIVER

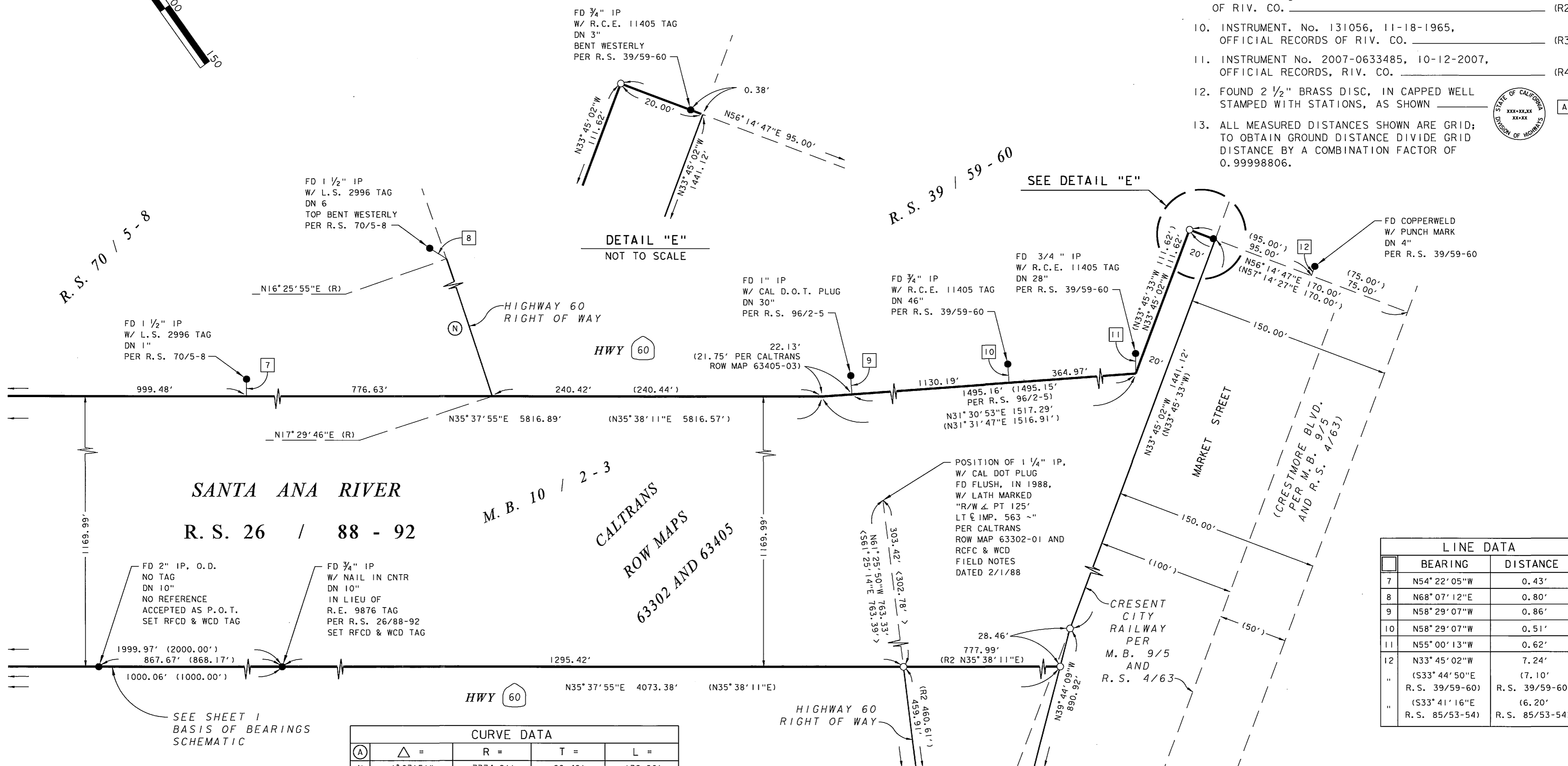
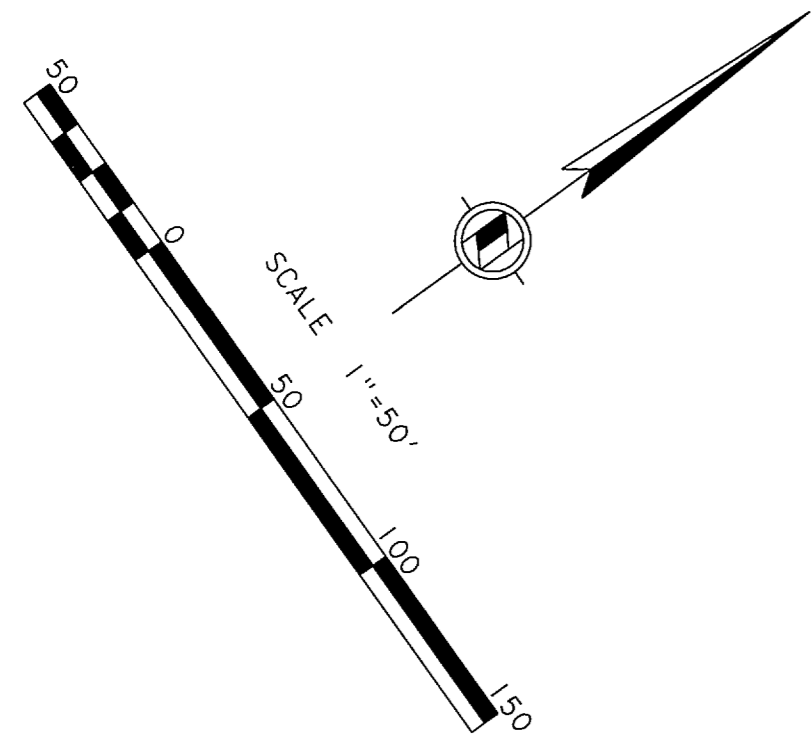
PORTIONS OF CRESCENT CITY RAILWAY RIGHT-OF-WAY PER MAP OF ALAMO TRACT, MAP BOOK 9, PAGE 5, WITH PORTIONS OF LOTS 2, 3, J, MISSION BOULEVARD AND BUENA VISTA DRIVE PER MAP OF INDIAN HILL TRACT, MAP BOOK 10, PAGES 2 THROUGH 3, IN THE RUBIDOUX RANCHO AND PORTIONS OF THE PROTRACTED SECTIONS 11, 14 AND 15, TOWNSHIP 2 SOUTH, RANGE 5 WEST. ALL RECORDS WITHIN THE COUNTY OF RIVERSIDE, STATE OF CALIFORNIA.

RIVERSIDE COUNTY FLOOD CONTROL AND WATER CONSERVATION DISTRICT

AUGUST 2010

**SURVEYOR'S NOTES:**

1. FOUND MONUMENT AS NOTED \_\_\_\_\_ ●
2. SET 3/4" IRON PIPE WITH RCFC & WCD BRASS TAG, FLUSH \_\_\_\_\_ ○
3. SEARCH FOUND NOTHING, SET NOTHING \_\_\_\_\_ ×
4. RECORD OR CALCULATED PER RS 26/88-92, UNLESS OTHERWISE NOTED \_\_\_\_\_ ( )
5. RECORD PER CALTRANS AS-BUILT PLANS 57-14VC13 \_\_\_\_\_ [ ]
6. RECORD PER CALTRANS ROW MAP 63302/1-3 \_\_\_\_\_ < >
7. RECORD OR CALCULATED PER MB 364/76-82 \_\_\_\_\_ (( ))
8. Bk. 2445, Pg. 161, 4-6-1959, OFFICIAL RECORDS OF RIV. CO. \_\_\_\_\_ (R1)
9. Bk. 2743, Pg. 507, 8-4-1960, OFFICIAL RECORDS OF RIV. CO. \_\_\_\_\_ (R2)
10. INSTRUMENT No. 131056, 11-18-1965, OFFICIAL RECORDS OF RIV. CO. \_\_\_\_\_ (R3)
11. INSTRUMENT No. 2007-0633485, 10-12-2007, OFFICIAL RECORDS, RIV. CO. \_\_\_\_\_ (R4)
12. FOUND 2 1/2" BRASS DISC, IN CAPPED WELL STAMPED WITH STATIONS, AS SHOWN \_\_\_\_\_ [A]
13. ALL MEASURED DISTANCES SHOWN ARE GRID; TO OBTAIN GROUND DISTANCE DIVIDE GRID DISTANCE BY A COMBINATION FACTOR OF 0.99998806.



R/S 136 / 26

R/S 136 / 26

CURVE DATA				
Station	Δ =	R =	T =	L =
N	1°03'51"	7374.91'	68.49'	136.98'
"	(1°03'50")	(7375.00')	(68.47')	(136.94')

LINE DATA		
Station	BEARING	DISTANCE
7	N54°22'05"W	0.43'
8	N68°07'12"E	0.80'
9	N58°29'07"W	0.86'
10	N58°29'07"W	0.51'
11	N55°00'13"W	0.62'
12	N33°45'02"W	7.24'
"	(S33°44'50"E	(7.10'
"	R.S. 39/59-60)	R.S. 39/59-60)
"	(S33°41'16"E	(6.20'
"	R.S. 85/53-54)	R.S. 85/53-54)

COPY

136 / 27

# RECORD OF SURVEY

## SANTA ANA RIVER

PORTIONS OF CRESCENT CITY RAILWAY RIGHT-OF-WAY PER MAP OF ALAMO TRACT, MAP BOOK 9, PAGE 5, WITH PORTIONS OF LOTS 2, 3, J, MISSION BOULEVARD AND BUENA VISTA DRIVE PER MAP OF INDIAN HILL TRACT, MAP BOOK 10, PAGES 2 THROUGH 3, IN THE RUBIDOUX RANCHO AND PORTIONS OF THE PROTRACTED SECTIONS 11, 14 AND 15, TOWNSHIP 2 SOUTH, RANGE 5 WEST. ALL RECORDS WITHIN THE COUNTY OF RIVERSIDE, STATE OF CALIFORNIA.

RIVERSIDE COUNTY FLOOD CONTROL AND WATER CONSERVATION DISTRICT

AUGUST 2010

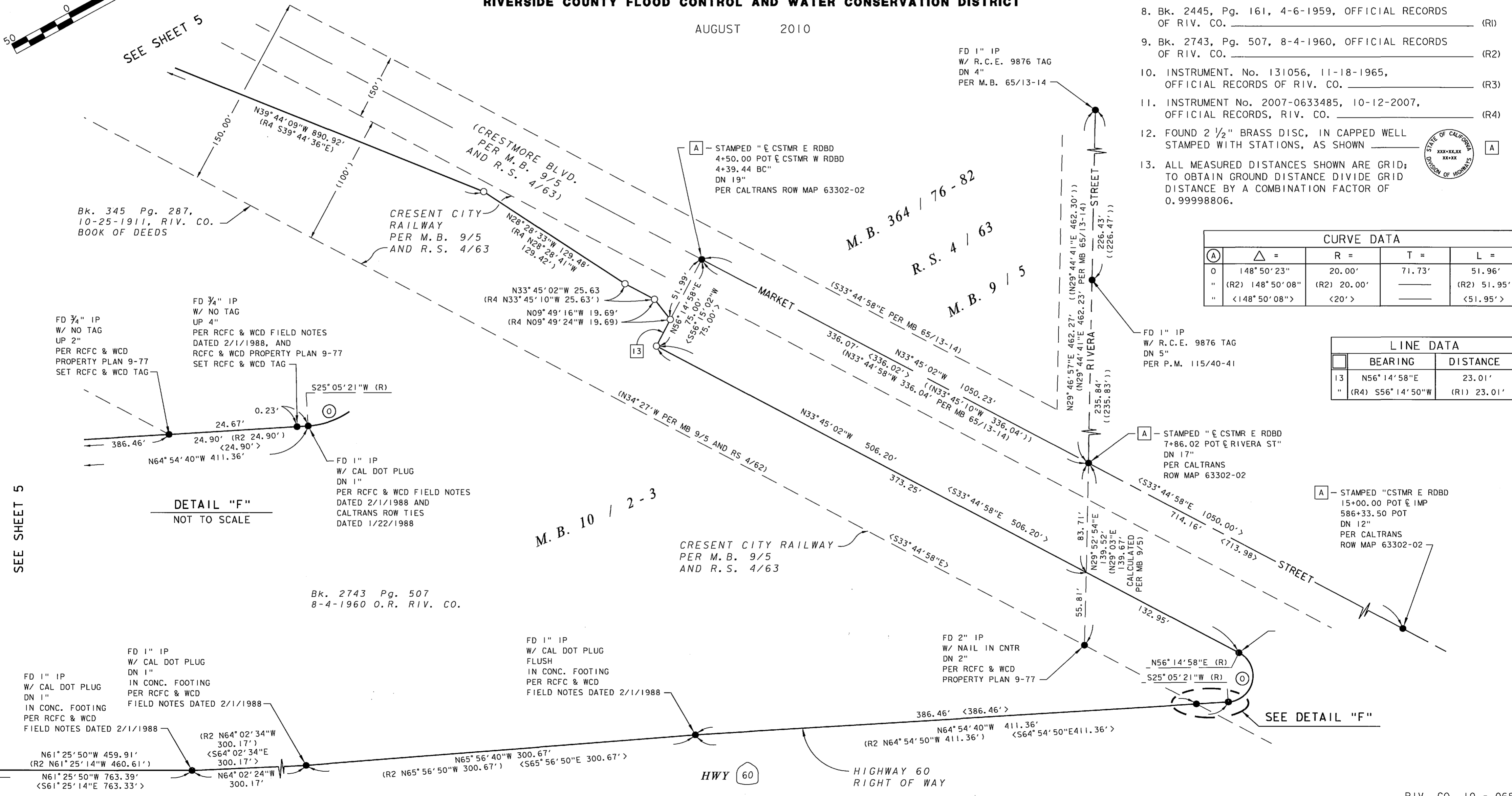
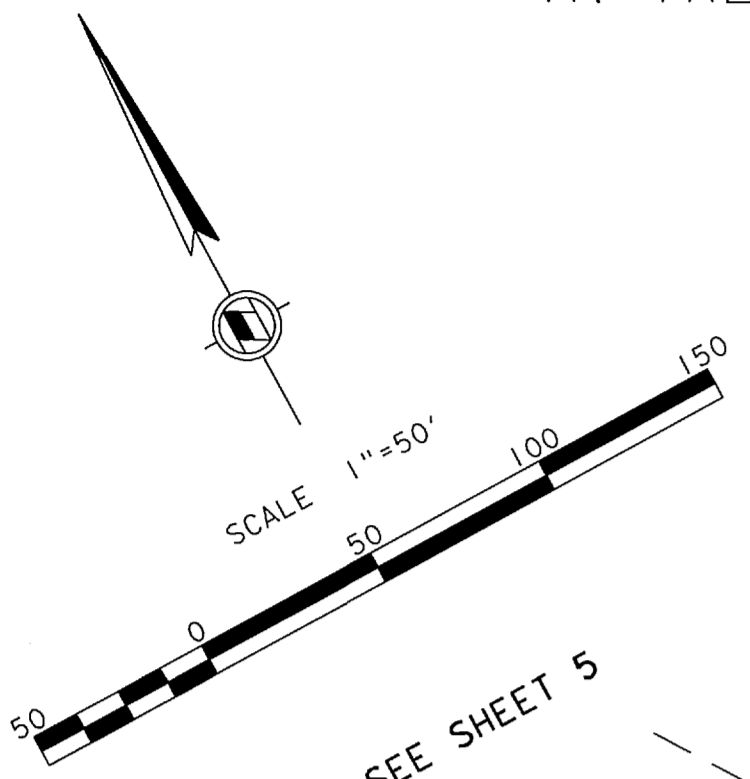
### SURVEYOR'S NOTES:

1. FOUND MONUMENT AS NOTED \_\_\_\_\_ ●
2. SET 3/4" IRON PIPE WITH RCFC & WCD BRASS TAG, FLUSH \_\_\_\_\_ ○
3. SEARCH FOUND NOTHING, SET NOTHING \_\_\_\_\_ ×
4. RECORD OR CALCULATED PER RS 26/88-92, UNLESS OTHERWISE NOTED \_\_\_\_\_ ( )
5. RECORD PER CALTRANS AS-BUILT PLANS 57-14VC13 \_\_\_\_\_ [ ]
6. RECORD PER CALTRANS ROW MAP 63302/1-3 \_\_\_\_\_ < >
7. RECORD OR CALCULATED PER MB 364/76-82 \_\_\_\_\_ (( ))
8. Bk. 2445, Pg. 161, 4-6-1959, OFFICIAL RECORDS OF RIV. CO. \_\_\_\_\_ (R1)
9. Bk. 2743, Pg. 507, 8-4-1960, OFFICIAL RECORDS OF RIV. CO. \_\_\_\_\_ (R2)
10. INSTRUMENT. No. 131056, 11-18-1965, OFFICIAL RECORDS OF RIV. CO. \_\_\_\_\_ (R3)
11. INSTRUMENT No. 2007-0633485, 10-12-2007, OFFICIAL RECORDS, RIV. CO. \_\_\_\_\_ (R4)
12. FOUND 2 1/2" BRASS DISC, IN CAPPED WELL STAMPED WITH STATIONS, AS SHOWN \_\_\_\_\_ [A]
13. ALL MEASURED DISTANCES SHOWN ARE GRID; TO OBTAIN GROUND DISTANCE DIVIDE GRID DISTANCE BY A COMBINATION FACTOR OF 0.99998806.



CURVE DATA				
(A)	Δ =	R =	T =	L =
0	148° 50' 23"	20.00'	71.73'	51.96'
"	(R2) 148° 50' 08"	(R2) 20.00'		(R2) 51.95'
"	<148° 50' 08">	<20'>		<51.95'>

LINE DATA		
	BEARING	DISTANCE
13	N56° 14' 58" E	23.01'
"	(R4) S56° 14' 50" W	(R1) 23.01'



Bk. 345 Pg. 287, 10-25-1911, RIV. CO. BOOK OF DEEDS

CRESCENT CITY RAILWAY PER M.B. 9/5 AND R.S. 4/63

M.B. 364 / 76-82  
R.S. 4 / 63  
M.B. 9 / 5

M.B. 10 / 2-3

Bk. 2743 Pg. 507 8-4-1960 O.R. RIV. CO.

DETAIL "F" NOT TO SCALE

SEE DETAIL "F"

R/S 136 / 27

R/S 136 / 27