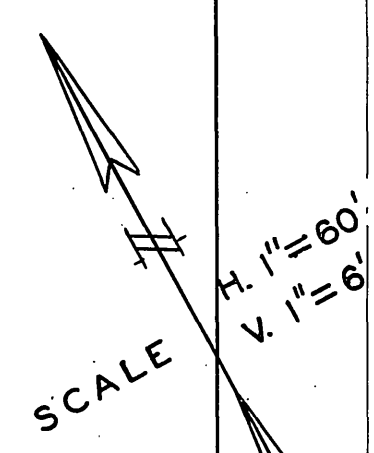
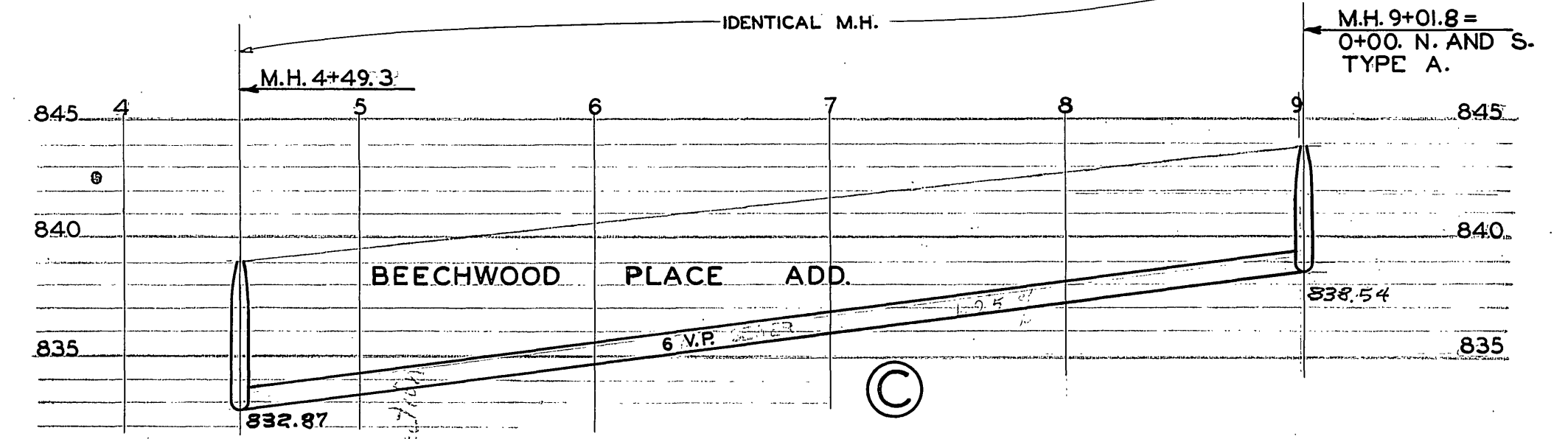
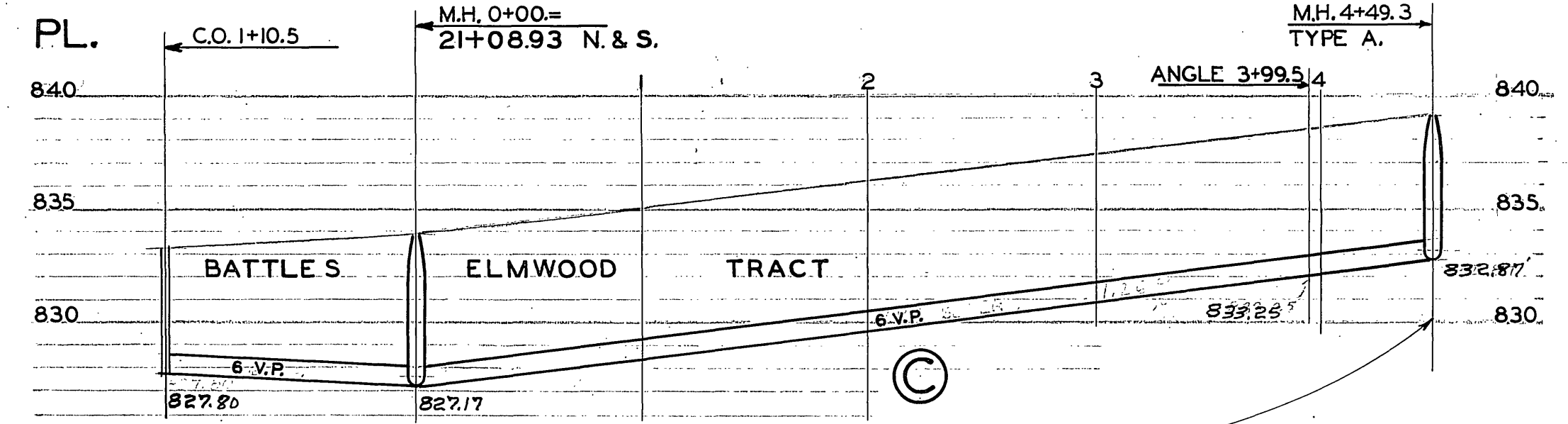
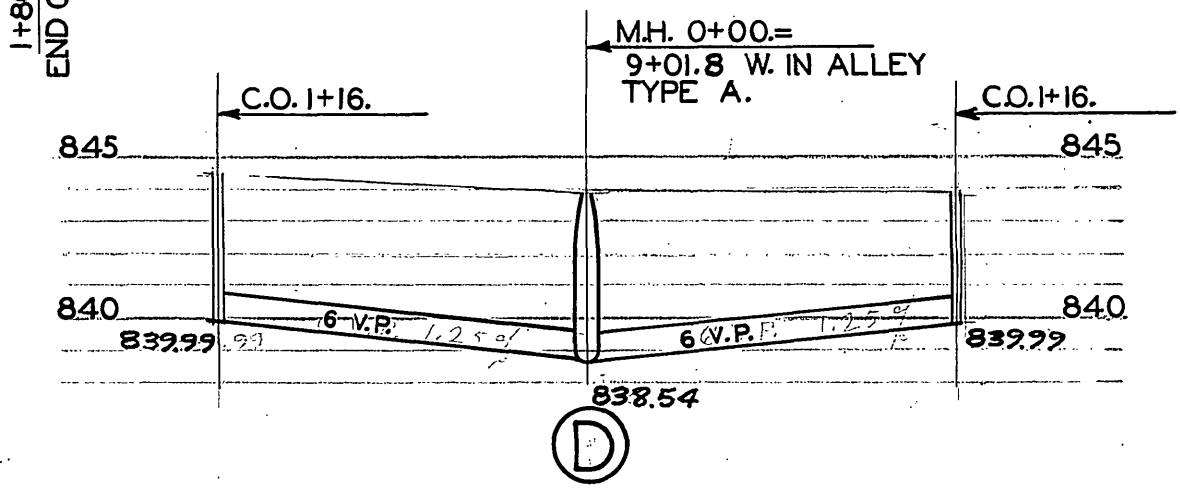
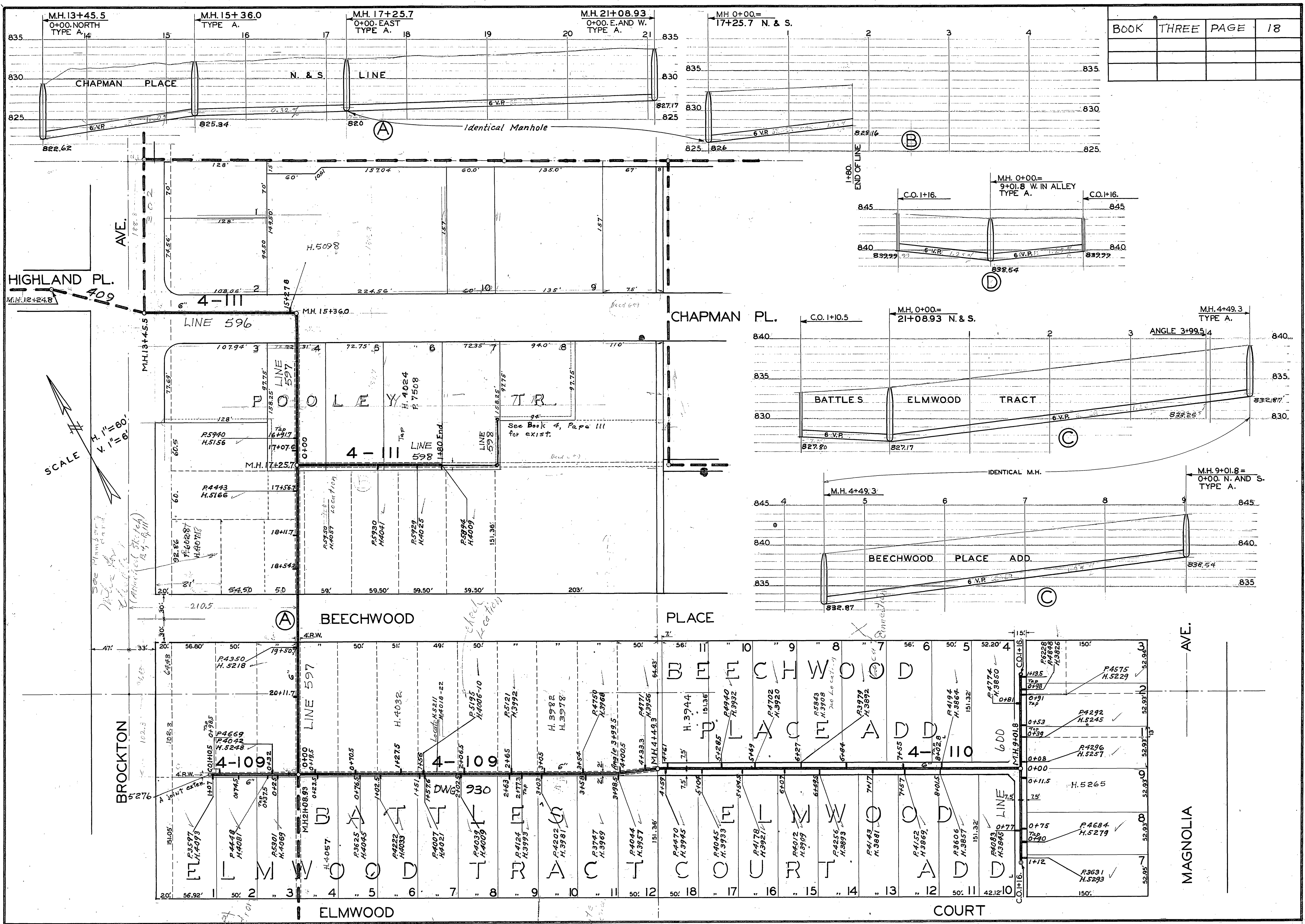


BOOK	THREE	PAGE	18



See plan for  
Notes for  
Location  
(Municipal Sta. 10, 11, 12)

Local  
connection  
4-11